

# GOT5120T-834

12.1" XGA/SVGA TFT Fanless Touch Panel with Intel® Celeron® Processor J1900



## Features

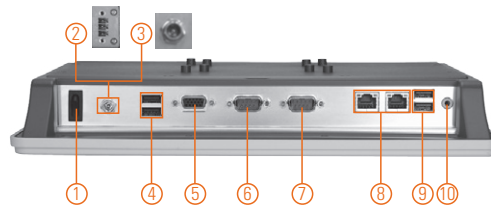
- 12.1" XGA/SVGA TFT LCD display with LED backlight
- Fanless design with Intel® Celeron® processor J1900
- WLAN module and internal antenna
- 2 GbE LAN, 4 USB and 2 COM
- PCI Express Mini Cards for easy expansion
- Supports panel mount/wall mount/VESA arm
- Supports speakers (optional)
- Plastic and IP65-rated front bezel



▲ Side view



▲ Desktop stand



1. Power switch (ATX)
2. Terminal block for DC power input or
3. Screw conn. w/ AC power adapter
4. USB 2.0 x 2
5. VGA
6. COM 1 (RS-232/422/485)
7. COM 2 (RS-232/422/485)
8. Ethernet x 2
9. USB 3.0 x 2
10. Audio (Line-out)



## Introduction

The GOT5120T-834 is a 12.1" Intel® Celeron®-based fanless touch panel computer. In response to market demand, this panel computer is a cost effective solution. It adopts a modern, super sleek and fanless design and is equipped with a 12.1" TFT LCD as well as Intel® Celeron® processor J1900 4 cores. For wireless network connection, the GOT5120T-834 offers 2 PCI Express Mini Card slots. By just plugging in the mini card WLAN card, customers can have instant access to wireless LAN/GPRS/GSM/4G environments. Besides, it provides two types of power input. One is DC power input (9 to 36 VDC) with terminal block connector, and another is AC power adapter with screw type connector.

### Super Slim & Ultra Lightweight Design

The GOT5120T-834 is a super slim touch panel computer for space-limited environment with its thickness of 52 mm and weight of 2.4 kg only, which make it installed everywhere.

### Built-in Internal WLAN Antenna

The GOT5120T-834 provides 2 PCI Express Mini Card slots and a built-in WLAN antenna for wireless network connections. By simply plugging in the wireless LAN card, customers can use the GOT5120T-834 in a wireless LAN/GPRS/GSM/4G environments.

### Aluminum Back Chassis with Excellent Thermal Solution

With Axiomtek's patent for plastic plus aluminum mechanism design, the GOT5120T-834 can dissipate the heat easily and keep the system operation stable.

## Specifications

Front Bezel	IP65, NEMA 4 rugged protection, plastic front bezel	
LCD Panel	Display Type	12.1" XGA/SVGA TFT LCD with LED backlight
	Brightness (cd/m <sup>2</sup> )	500 nits (XGA) 450 nits (SVGA)
	Resolution	1024 x 768 (XGA) 800 x 600 (SVGA)
	Viewing Angel (H/V)	160°/140°
	Main System	CPU
	System Memory	1 x 204-pin DDR3L-1333 MHz SO-DIMM, up to 8GB
	BIOS	AMI UEFI BIOS
	Storage	1 x 2.5" 7/9.5mm SATA HDD 1 x CFast™ or mSATA
	Watchdog Timer	255 levels, 0 to 255 sec.
	Onboard Graphics	Integrated in Intel® GFX

## Specifications

I/O Connector	2 x RS-232/422/485 (default RS-232, COM 1/2) 1 x VGA 1 x Audio (Line-out) 2 x USB 2.0 2 x USB 3.0 2 x 10/100/1000 Mbps Ethernet (Intel® i210IT)
TPM	N/A
Expansion Interface	1 x full-size PCI Express Mini Card slot with mSATA 1 x full-size PCI Express Mini Card slot with SIM
Touchscreen	Resistive type
Power Input	1. DC version: 9 to36 VDC with over-current protection fuse 2. AC version: 100 to240 V AC-DC, 60W power adapter
Power Consumption	32 W
Dimensions	327.5 mm (12.9") (W) x 52.5 mm (2.07") (D) x 261.8 mm (10.3") (H)
Packing Dimensions	455 mm (17.91") (W) x 105 mm (4.13") (D) x 340 mm (13.39") (H)
Weight (net/gross)	2.48 kg (5.46 lb)/3.84 kg (8.46 lb)
Environment	Operating temperature: 0°C to+50°C (+32°F to+122°F) (with W.T. DRAM/HDD in airflow condition) 0°C to+45°C (+32°F to+113°F) (with W.T. DRAM/HDD) Relative humidity: 20% to90% @ +40°C; non-condensing Operation vibration: 2G, 5 to500Hz, random for CFast™
Certificate	CE

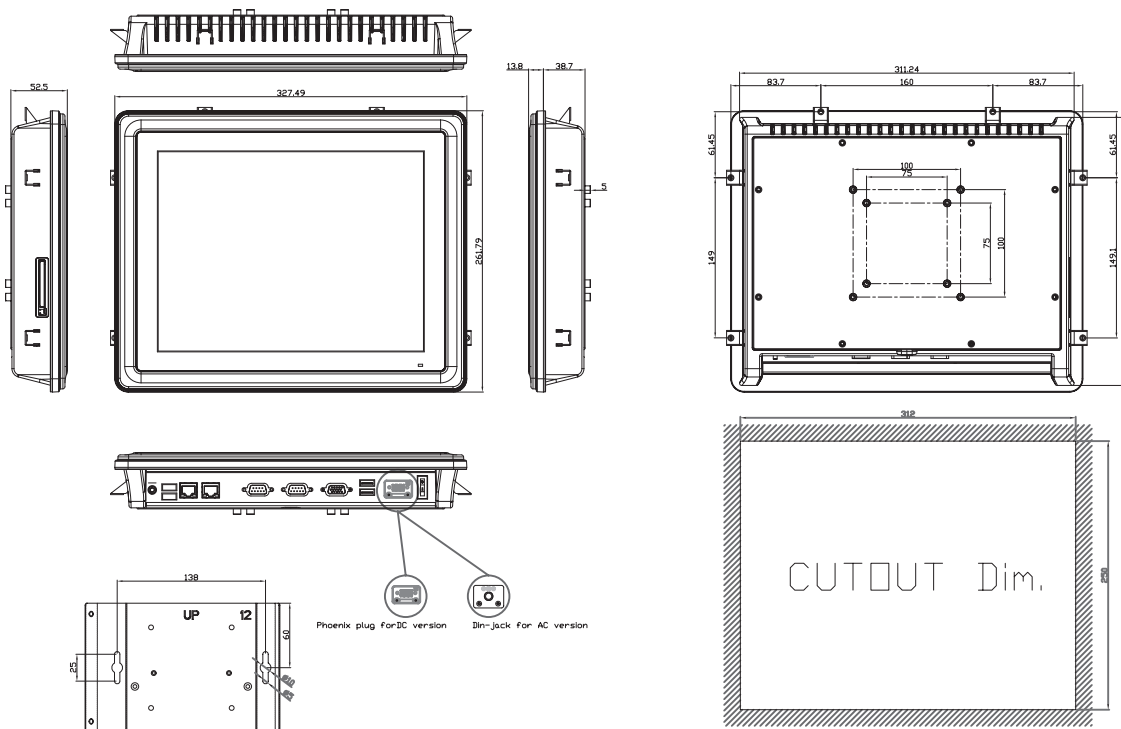
\* Specification and certifications are based on options and may vary.

\*\* W.T.: Wide Temperature. All W.T. supported products have to be sorted by Axiomtek.

## Packing List

- 1 x GOT5120T-834
- 1 x Driver CD
- 1 x Adapter (GOT5120T-834-XGA-J)
- 1 x Panel mount kit
- 1 x Wall mount kit
- 1 x Phoenix connector (GOT5120T-834 DC)

## Dimensions



## Ordering Information

GOT5120T-834-DC	12.1" SVGA fanless touch panel computer with Intel® Celeron® processor J1900, 5-wire resistive touch screen and 9 to36 VDC power input (terminal block connector)
GOT5120T-834-XGA-J	12.1" XGA fanless touch panel computer with Intel® Celeron® processor J1900, 5-wire resistive touch screen, AC-DC 60W power adapter (screw type connector) and EMI class B
GOT5120T-834-XGA-DC	12.1" XGA fanless touch panel computer with Intel® Celeron® processor J1900, 5-wire resistive touch screen and 9 to36 VDC power input (terminal block connector)

### Optional

Wi-Fi + Bluetooth kit

Speaker kit

E226171106 Stand kit

881251203AOE RFID kit

\* Specification and certifications are based on options and may vary.

## Optional EOS Installation

WE8S

WES 7

Windows 10 IoT Enterprise

## Optional OS Installation

Windows® 8.1

Windows® 7

Windows® 10



▲ AC power adapter  
(for GOT5120T-834-XGA-J)