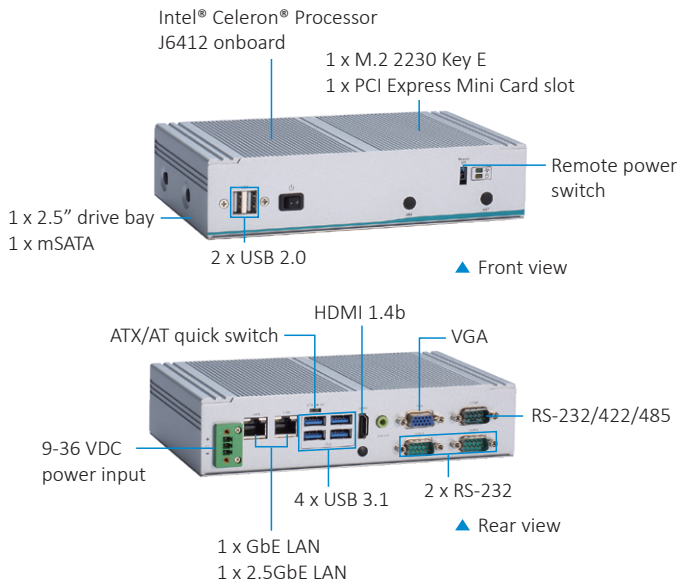


# eBOX626A NEW

Fanless Embedded System with Intel® Celeron J6412 2.0 GHz, HDMI, VGA, 6 USB, 2 LAN, 3 COM, and 9 to 36 VDC



## Features

- Intel® Celeron® Processor J6412 quad-core onboard
- -10 °C to +60 °C operating temperature
- 1 HDMI and 1 VGA for dual-view display
- Trusted Platform Module (TPM) 2.0 onboard
- M.2 Key E for WiFi/WiFi 6 connection
- 9-36 VDC Wide range power input



## Specifications

Standard Color	Silver
Construction	Aluminum extrusion and heavy-duty steel, IP40
CPU	Intel® Celeron® processor J6412, up to 10W
System Memory	1 x 260-pin DDR4-3200 SO-DIMM, up to 32GB
Chipset	SoC integrated
BIOS	AMI
System I/O Outlet	1 x Audio (Line-out) 1 x HDMI 1.4b (lockable) 1 x VGA 1 x RS-232/422/485 (COM1) 2 x RS-232 (COM2/3) 4 x USB 3.1 Gen2 2 x USB 2.0 1 x 10/100/1000/2500 Mbps Ethernet (Intel® i226-LM) 1 x 10/100/1000 Mbps Ethernet (Intel® i210-AT) 1 x Phoenix type VDC power input connector 1 x ATX power switch 1 x ATX/AT quick switch 1 x Remote power switch 4 x Antenna opening
Watchdog Timer	255 levels, 1 to 255 sec.
Storage	1 x 2.5" SATA HDD drive bay (up to 9.5 mm height) 1 x mSATA (enabled in BIOS setting)
Expansion Interface	1 x Full size internal PCI Express Mini Card slot (mSATA/SIM) (USB + PCIE + SATA) 1 x M.2 2230 Key E (PCIE + USB)
TPM	TPM 2.0
System Indicator	1 x Green LED for system power-on 1 x Yellow LED for HDD/SSD active
Power Supply	9 to 36 VDC

---

## Specifications

Operating Temperature	-10°C to +60°C (+14°F to +140°F) (with W.T. SSD/DRAM)
Humidity	10% - 95%, non-condensing
Shock Vibration	IEC 60068-2-27 (with SSD: 50G, half sine, 11 ms duration)
Vibration Endurance	IEC 60068-2-64 (with SSD: 3Grms STD, random, 5 to 500 Hz, 1 hr/axis)
Dimensions	200 mm (7.87") (W) x 120 mm (4.72") (D) x 46 mm (1.81") (H)
Weight (net/gross)	1.2 kg (2.43 lb)/1.8 kg (3.97 lb)
Certifications	CE, FCC Class A, UKCA
EOS Support	Win10 IoT, Win11 IoT, Linux

\* W.T.: Wide Temperature. All W.T. supported products have to be sorted by Axiomtek.

---

## Packing List

1 x Screws pack  
3 x DRAM thermal pad  
1 x DRAM thermal pad bracket  
1 x Remote power switch cable  
4 x Pre-install foot pad  
1 x 3-pin terminal block connector

---

## Power Protection

### AC Version

OVP (over voltage protection)  
UVP (under voltage protection)  
SCP (short circuit protection)

---

## Ordering Information

### Standard

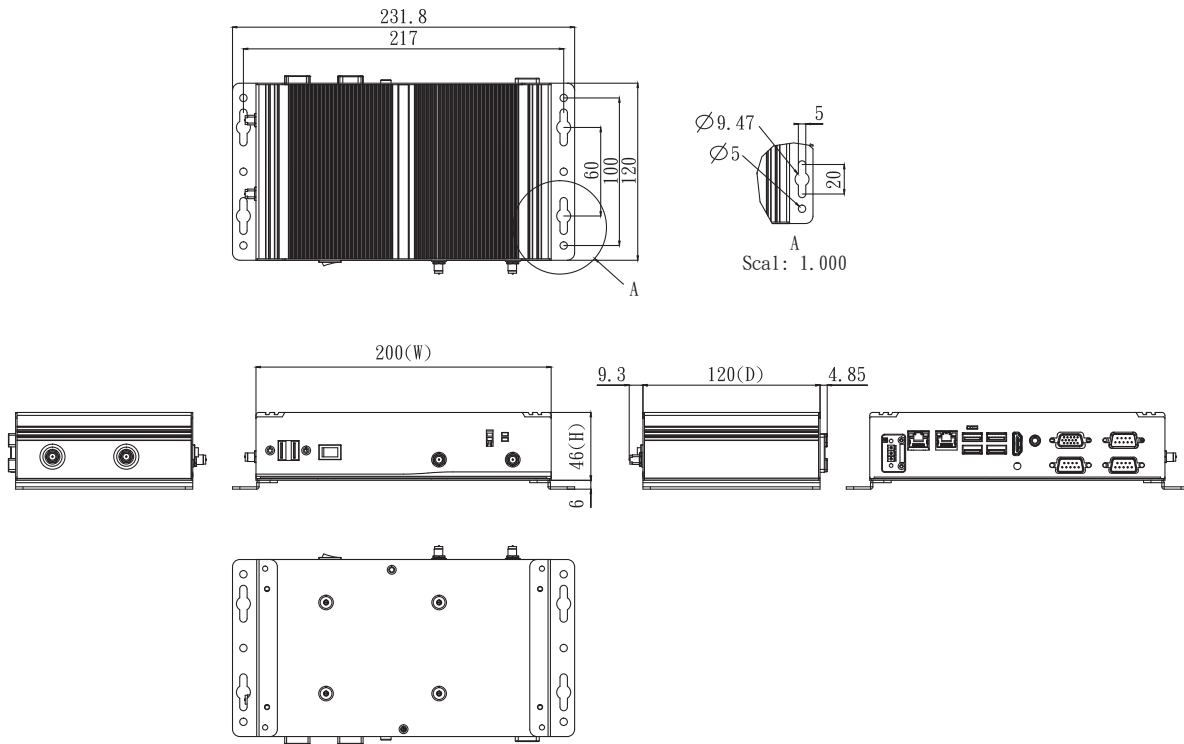
eBOX626A-EL-C1 (PN : E36K626A00)	Fanless Embedded System with Intel® Celeron® J6412 2.0 GHz, HDM, VGA, 6 USB, 2 LAN, 3 COM, and 9 to 36 VDC
-------------------------------------	--

### Optional

2.5" SATA HDD	64GB or above
2.5" SATA SSD	100GB or above
DDR4 SO-DIMM	8GB to 32GB
mSATA	64MB or above
8816K6271AOE	Wall mount Kit
886K62613AOE	VESA mount kit
886K62614AOE	DIN-rail kit
	Wi-Fi/LTE module

\* Specifications and certifications may vary based on different requirements.

## Dimensions



**IP SYSTEMES**  
8 rue du Colonel Chambonnet – BP67  
69672 BRON Cedex  
Tel. : 04 72 14 18 00  
Fax : 04 72 14 18 01  
[www.ip-systemes.com](http://www.ip-systemes.com) – [info@ip-systemes.fr](mailto:info@ip-systemes.fr)