



Station accueil pour  
tablettes PDA 4" et 5"  
DC45



**IP SYSTEMES**

8 rue du Colonel Chambonnet – BP67

69672 BRON Cedex

Tel. : 04 72 14 18 00

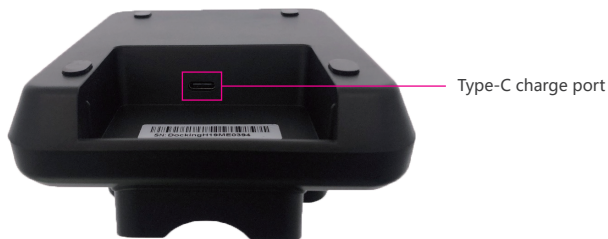
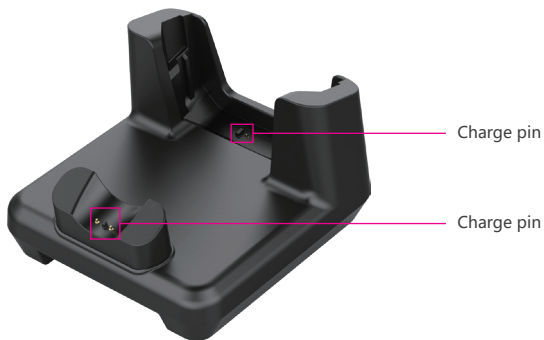
Fax : 04 72 14 18 01

[www.ip-systemes.com](http://www.ip-systemes.com) – [info@ip-systemes.fr](mailto:info@ip-systemes.fr)

# Contents

I . Appearance description .....	1
II. Charging instructions .....	2
III. Specifications .....	5

# I . Appearance description



## II. Charging instructions

1. Charge the device.



2. Charge the battery.



3. Charge the device and battery.



4. Charge the UHF handle.



5. Charge the device and UHF handle.



### III. Specifications

Physical Parameters	
Model	DC45
Size	120.25x104.61x73.64mm
Weight	291g
Color	Black
Input interface	Type C
Input current	5V 2A
Output interface	Pogo Pin
Output current	5V 1.5A
Material	Plastic cement
Adaptive model	T51/T41/Q51/Q41/BA45/SUH45