



Top 100  
Global  
Innovator  
for 10 years

**Susol** Super Solution

**Metasol** Meta Solution

# Air Circuit Breakers



**LS** ELECTRIC



**Susol** Super Solution

**Metasol** Meta Solution

# ACB

## Air Circuit Breakers

Premium Susol/Metasol ACB meets your demands for high breaking capacity, fully line-up, and optimized panel size.

Various accessories and connection methods realize user-friendly handling.

Susol/Metasol provides you with total solutions with an advanced trip relay for measurement, diagnosis, analysis, and communication as well as protective functions for absolute protective coordination and electric power monitoring system.



• Susol : 고객에게 Super solution을 제공하기 위해 LS가 만든 Brand입니다.



## Air Circuit Breakers

- CE certified (IEC60947-2, 3)
- KEPIC(Nuclear rating) and quality (Q-class) certified.
- LR, ABS, DNV, KR, BV, GL, RINA, NK certified
- Maximum breaking capacity:  
Susol 150kA, Metsol 120kA(6300AF at 500Vac)
- 2000/4000/5000/6300AF, 4 Ampere Frame Sizes
- N phase current conducting capacity : 100%
- Offers variety of accessories including digital trip relay with metering/mearsuring/analysis/communication functions.
- Rated impulse voltage (Uimp) : 12kV

## Contents

---

▪ Overview	4
▪ External configuration	22
▪ Internal configuration	24
▪ Ordering	26
▪ Ratings	32
▪ Trip relays	40
▪ Accessories	70
▪ Electrical diagram	108
▪ Dimensions	116
▪ Technical information	
- Insulation voltage	141
- Temperature derating	142
- Operating conditions	143
- Installation recommendation	144
- Protective coordination	150
▪ Standards & Approval	158
▪ Time chart	159
▪ Ordering sheet	163

---



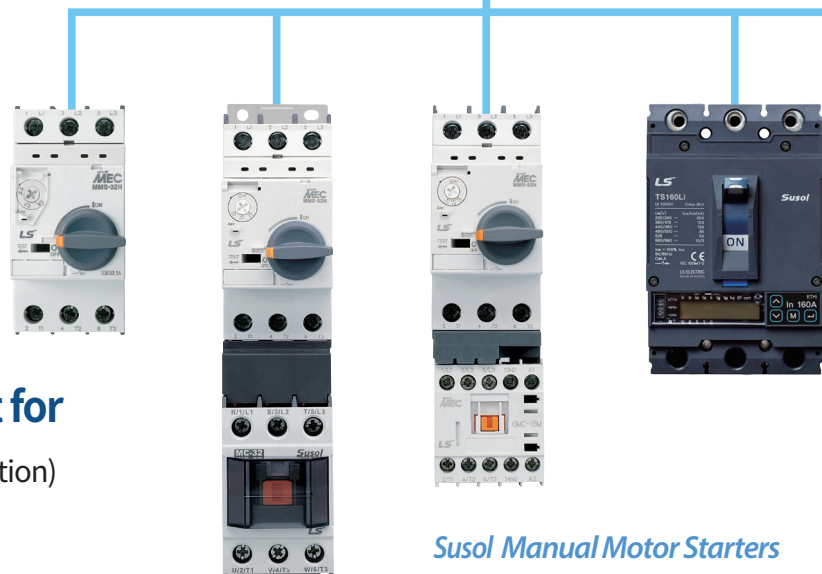


# Susol series



## ■ Susol series circuit breakers are suitable for

- Protection of power distribution
- Protection of motor & its control device
- Controlling and disconnecting circuits



## ■ Optimum technical support for

- (Cascading, Discrimination, Type 2 coordination)
- Selecting economical protection system
- Guarantee safety of the installation
- Reducing the stress on components and damage
- Guarantee service continuity

*Susol Manual Motor Starters*





Smart Air Circuit Breakers



Susol / Smart  
Molded Case Circuit Breakers



Susol Magnetic Contactors &  
Overload Relays



# Susol

Super solution



Air circuit breaker is to be installed in low voltage distribution line to break the circuit when over current, short circuit, or ground fault occurs in order to protect user and other subordinate components.

# Susol ACB

Air Circuit Breakers

LS Technology, **150kA** only



- *CE certified (IEC60947-2, 3)*
- *KEPIC(Nuclear rating) and quality (Q-class) certified.*
- *LR, ABS, DNV, KR, BV, GL, RINA, NK certified*
- *Maximum breaking capacity : 150kA (6300AF at 500Vac)*
- *2000/4000/6300AF, 3 Ampere Frame Sizes*
- *N phase current conducting capacity : 100%*
- *Offers variety of accessories including digital trip relay with metering/mearsuring/analysis/communication functions.*
- *Rated impulse voltage (Uimp) : 12kV*

## ■ Ratings

- *In : 630~6300AF 3, 4 poles, fixed or draw-in/out type*
- *Ics : 85/100/150kA, 500Vac rating*
- *Icw : 65/85/100kA*

*LS has passed and achieved Korea's highest and toughest KS rating (KS C 8325 KS C 4620) to prove its safety and function-ality in ACB market.*



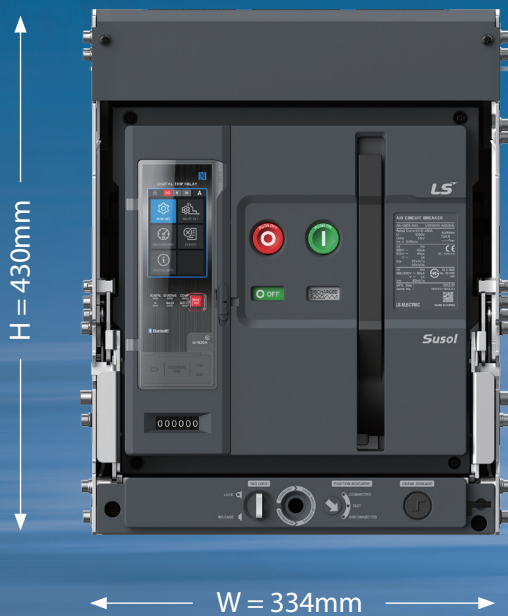
# Full line-up & Compact

Up to 6300A, Susol ACB provides fully lined-up 3 frame.

For each frame, there is just one size, which is smaller and more compact.

It makes it possible for you to design the optimized volume panel.

630 ~ 2000 AF



630 ~ 4000 AF



## 85kA

.....

## 100kA

.....

### AH-06~20D

06	630AF
08	800AF
10	1000AF
13	1250AF
16	1600AF
20	2000AF

Icu=Ics=85kA/500Vac  
W=334(3p), 419(4p)mm

### AH-06~40E

06	630AF	20	2000AF
08	800AF	25	2500AF
10	1000AF	32	3200AF
13	1250AF	40	4000AF
16	1600AF		

Icu=Ics=100kA/500Vac  
W=412(3p), 527(4p)mm

4000 ~ 6300 AF



150kA

- The highest breaking capacity:  
150kA (6300AF at 500Vac)
- 3 ampere frame sizes:  
2000/4000/6300AF
- N phase current conducting capacity: 100%

#### AH-40~63G

40	4000AF
50	5000AF
63	6300AF

Icu=Ics=150kA/500Vac  
W=785(3p), 1015(4p)mm



# Trip Relay

*Trip relays are classified according to function.*

Trip relays are classified according to their usages and functions to maximize customers' satisfaction. Classified trip relays and easy installation.

- Protection: overload, short current, ground fault, earth leakage, under voltage, over voltage, under frequency, over frequency, reverse power, unbalance, etc
- Measurement: voltage, ampere, power, energy, frequency, power factor, Harmonics, etc.
- Event & fault recording: Max. 256 events & faults
- Communication: Modbus/RS-485, Profibus-DP



Susol ACB Trip Relay functioning world-best protection can be interlocked with mechanism. It makes the breaking capacity of ACB improved and ACB's life enhanced, and provides advanced functions - measurement, diagnosis, analysis, and communication.

# Susol ACB Trip relay

## N type



## A type



## P type



## S type



- L/S/I/G
- Self Power
- RTC Timer mounted
- Fault indicator (LED)

- L/S/I/G (or Gext)
- ZSI (Protective coordination)
- Remote Reset
- Modbus/RS-485
- Profibus-DP (Option)
- Self Power
- AC/DC 85 ~ 264V
- RTC Timer mounted
- Fault Recording (10EA)

- L(N)/S1/I/G(or Gext)
- Thermal(linear hot start)
- UV1/OV1/RV/D/S(V)1/VU/IU
- UF1/OF1/ROCOF/RP/RQ1/OP/OQ/UP
- Measurement: V/A/W/Wh/F/PF
- ZSI (Protective coordination)
- Remote Reset
- ERMS , Local/Remote DI (selectable)
- USB Terminal (Power, Communication)
- Modbus/RS-485
- Bluetooth (Option)
- Ethernet (Optional product required)
- Self Power
- AC/DC 85 ~ 264V
- RTC Timer mounted
- Event Recording (255EA)
- Fault Recording (127EA)
- Fault Wave (6EA)

- L(N)/S(1,2)/I/G(or Gext)
- Thermal (linear hot start)
- UV(1,2)/OV(1,2)/RV/D/S(V)(1,2)/VU/IU
- UF(1,2)/OF(1,2)/ROCOF/RP/RQ(1,2)/OP/OQ/UP
- Measurement: V/A/W/Wh/F/PF
- Relay Group control (A,B)
- ZSI(Protective coordination)
- Remote Reset
- ERMS, Local/Remote, Group A/B DI (selectable)
- USB Terminal (Power, Communication)
- Modbus/RS-485
- Bluetooth
- Ethernet (Optional product required)
- NFC
- Self Power
- AC/DC 85 ~ 264V
- RTC Timer mounted
- Event Recording (255EA)
- Fault Recording (127EA)
- Fault Wave (6EA)



# Metasol

Meta solution



Air circuit breaker is to be installed in low voltage distribution line to break the circuit when over current, short circuit, or ground fault occurs in order to protect user and other subordinate components.

# Metasol ACB

Air Circuit Breakers

This technology leads to Susol **Metasol.**



- CE certified (IEC60947-2, 3)
- KEPIC(Nuclear rating) and quality (Q-class) certified.
- LR, ABS, DNV, KR, BV, GL, RINA, NK certified
- Maximum breaking capacity : 120kA (6300AF at 500Vac)
- 2000/4000/5000/6300AF, 4 Ampere Frame Sizes
  - 2 different types(AS, AN) for medium and small sizes(below 3200AF)
  - Large size (4000AF and above) Size, variety of line up
- N phase current conducting capacity : 100%
- Offers variety of accessories including digital trip relay with metering/mearsuring/analysis/communication functions.
- Rated impulse voltage (Uimp) : 12kV

## ■ Ratings

- In : 630~1600AF 3, 4 poles, fixed or draw-in/out type (AN type)  
630~6300AF 3, 4 poles, fixed or draw-in/out type (AS type)
- Ics : 65/70kA, 500Vac (AN type)  
70/85/100/120kA, 500Vac (AS type)
- Icw : 50/65kA (AN type)  
65/85/85/100kA (AS type)

LS has passed and achieved Korea's highest and toughest KS rating (KS C 8325 KS C 4620) to prove its safety and function-ality in ACB market.



# Full line-up & Compact

Up to 6300A, Metasol ACB provides fully lined-up 4 frame.

For each frame, there is just one size, which is smaller and more compact.

It makes it possible for you to design the optimized volume panel.

630 ~ 1600 AF (AN)  
630 ~ 2000 AF (AS)

630 ~ 4000 AF (AS)

4000 ~



(65kA)

70kA

(70kA)

85kA

## AN-06~16D

06	630AF
08	800AF
10	1000AF
13	1250AF
16	1600AF

Icu=Ics=65kA/500Vac  
W=334(3p), 419(4p)mm

## AS-06~20D

06	630AF
08	800AF
10	1000AF
13	1250AF
16	1600AF
20	2000AF

Icu=Ics=70kA/500Vac  
W=334(3p), 419(4p)mm

## AS-20~40E

20	2000AF
25	2500AF
32	3200AF
40	4000AF

Icu=Ics=85kA/500Vac  
W=412(3p), 527(4p)mm

5000 AF (AS)

4000 ~ 6300 AF (AS)



W = 629mm

W = 785mm

100kA ..... 120kA

### AS-50F

40	4000AF
50	5000AF

Icu=Ics=100kA/500Vac  
W=629(3p), 799(4p)mm

### AS-40~63G

40	4000AF
50	5000AF
63	6300AF

Icu=Ics=120kA/500Vac  
W=785(3p), 1015(4p)mm

- The highest breaking capacity:  
150kA (6300AF at 500Vac)
- 4 ampere frame sizes:  
2000/4000/5000/6300AF
- N phase current conducting capacity: 100%



# Trip Relay

*Trip relays are classified according to function.*

Trip relays are classified according to their usages and functions to maximize customers' satisfaction. Classified trip relays and easy installation.

- Protection: overload, short current, ground fault, earth leakage, under voltage, over voltage, under frequency, over frequency, reverse power, unbalance, etc
- Measurement: voltage, ampere, power, energy, frequency, power factor, Harmonics, etc.
- Event & fault recording: Max. 256 events & faults
- Communication: Modbus/RS-485, Profibus-DP



Metasol ACB Trip Relay functioning world-best protection can be interlocked with mechanism. It makes the breaking capacity of ACB improved and ACB's life enhanced, and provides advanced functions - measurement, diagnosis, analysis, and communication.

# Metasol ACB Trip relay

## N type



## A type



## P type



## S type



- L/S/I/G
- Self Power
- RTC Timer mounted
- Fault indicator (LED)

- L/S/I/G (or Gext)
- ZSI (Protective coordination)
- Remote Reset
- Modbus/RS-485
- Profibus-DP (Option)

- Self Power
- AC/DC 85 ~ 264V
- RTC Timer mounted
- Fault Recording (10EA)

- L(N)/S1/I/G(or Gext)
- Thermal (linear hot start)
- UV1/OV1/RV/D/S(V)1/VU/IU
- UF1/OF1/ROCOF/RP/RQ1/OP/OQ/UP
- Measurement: V/A/W/Wh/F/PF
- ZSI (Protective coordination)
- Remote Reset
- ERMS, Local/Remote DI (selectable)
- USB Terminal (Power, Communication)
- Modbus/RS-485
- Bluetooth (Option)
- Ethernet (Optional product required)

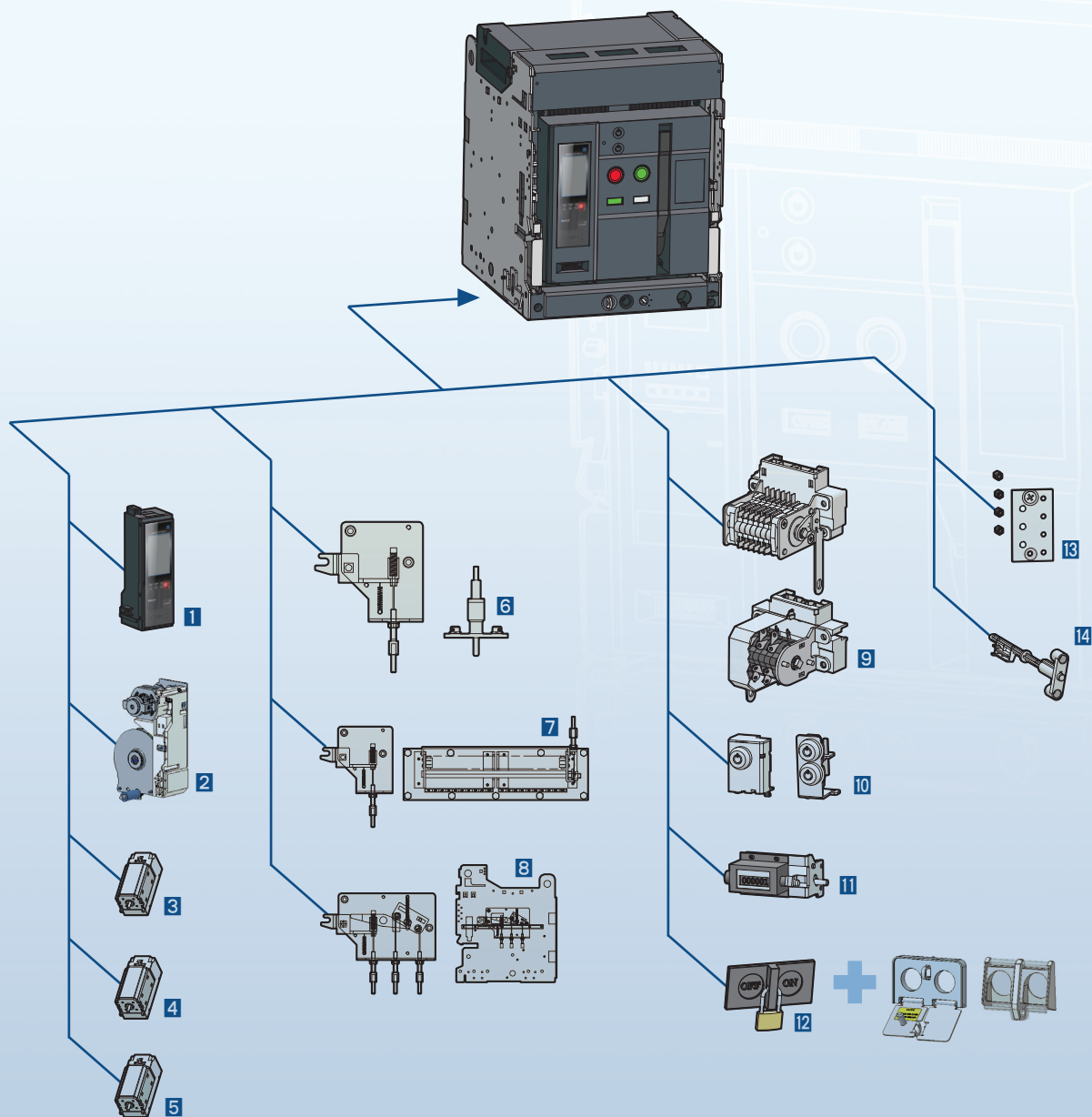
- Self Power
- AC/DC 85 ~ 264V
- RTC Timer mounted
- Event Recording (255EA)
- Fault Recording (127EA)
- Fault Wave (6EA)

- L(N)/S(1,2)/I/G(or Gext)
- Thermal (linear hot start)
- UV(1,2)/OV(1,2)/RV/D/S(M)(1,2)/VU/IU
- UF(1,2)/OF(1,2)/ROCOF/RP/RQ(1,2)/OP/OQ/UP
- Measurement: V/A/W/Wh/F/PF
- Relay Group control (A,B)
- ZSI(Protective coordination)
- Remote Reset
- ERMS, Local/Remote, Group A/B DI (selectable)
- USB Terminal (Power, Communication)
- Modbus/RS-485
- Bluetooth
- Ethernet (Optional product required)
- NFC

- Self Power
- AC/DC 85 ~ 264V
- RTC Timer mounted
- Event Recording (255EA)
- Fault Recording (127EA)
- Fault Wave (6EA)

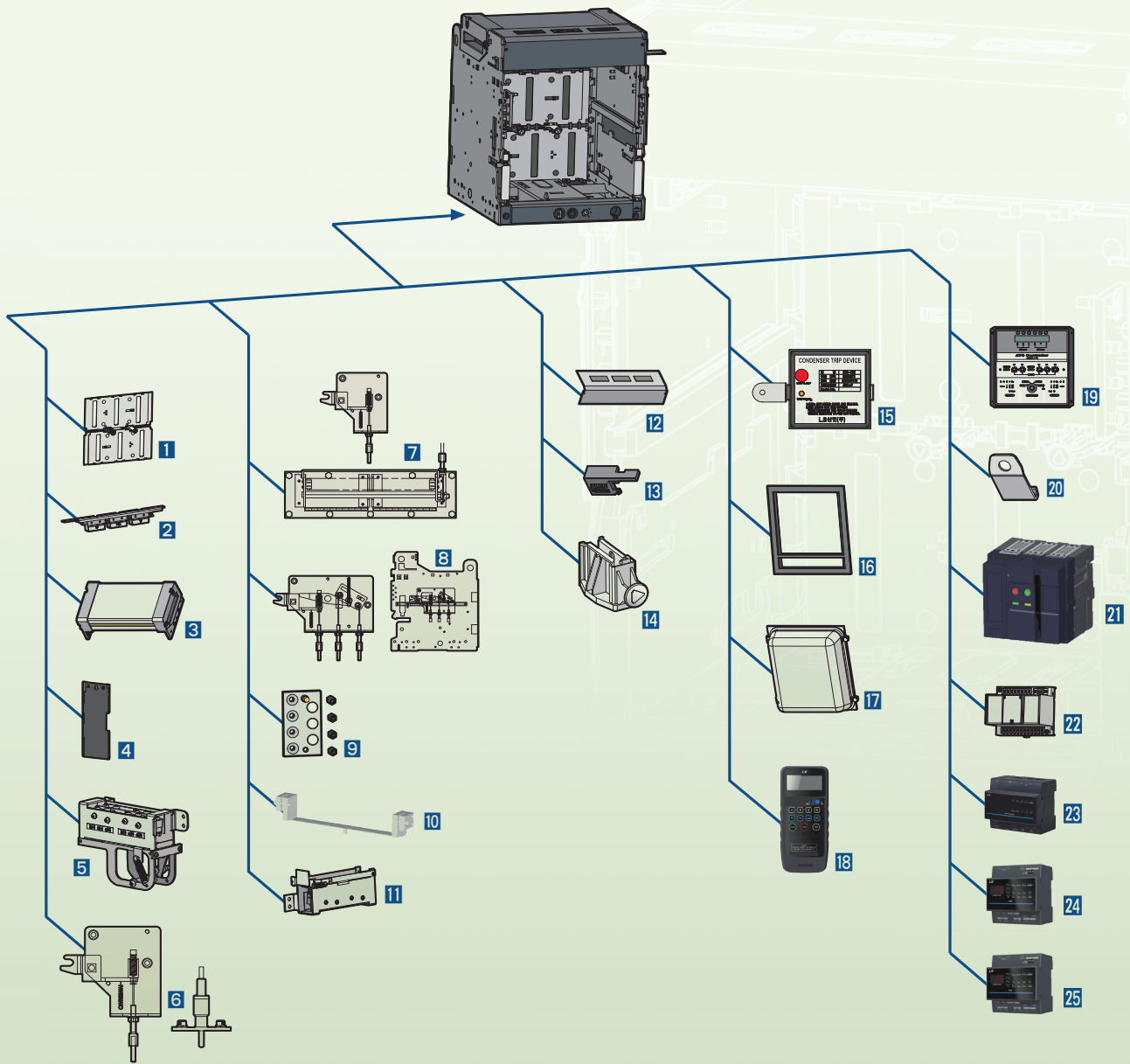


# Accessories



## ACB

- 1** Trip Relay
- 2** Motor (M)
- 3** Closing Coil (CC)
- 4** Shunt Coil (SHT)
- 5** Under Voltage Trip Device (UVT)
- 6** Door Interlock (DI)
- 7** MOC (Mechanical Operated Cell Switch)
- 8** Mechanical Interlock (MI)
- 9** Auxiliary Switch (AX)
- 10** Key Lock (K1),  
Double Key Lock (K3)
- 11** Counter (C)
- 12** On/Off Button Lock (B)
- 13** Miss Insertion Preventing Device (MIP)
- 14** Manual Reset Button (MRB)



## *Cradle*

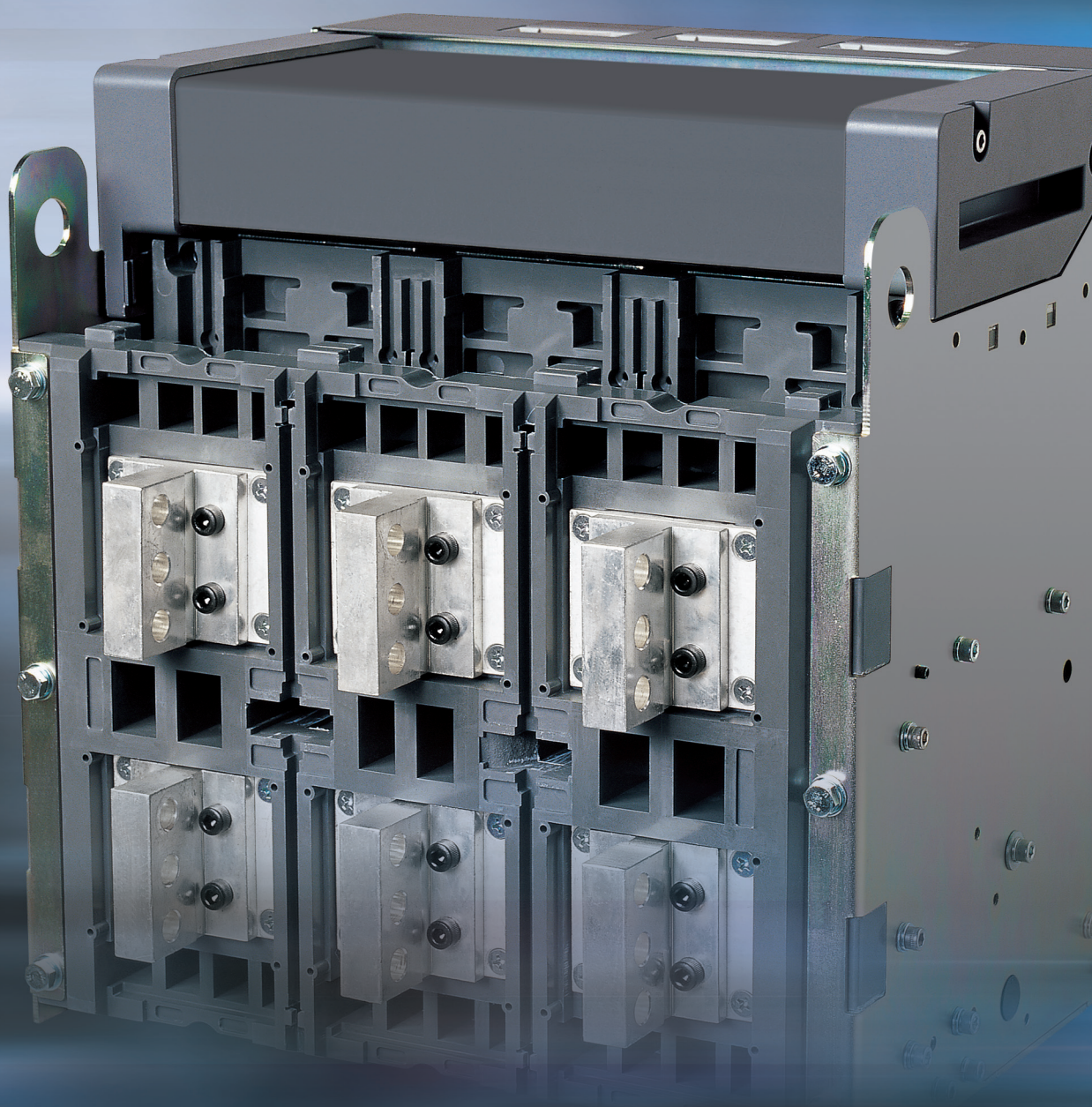
- |  |  |
|--|--|
| <b>1</b> Safety Shutter (ST)                   | <b>8</b> Mechanical Interlock (MI)           |
| <b>2</b> Manual Connector                      | <b>9</b> Miss Insertion Prevent Device (MIP) |
| <b>3</b> Zero Arc Space (ZAS)                  | <b>10</b> Body Supporter (BSP)               |
| <b>4</b> Insulation Barrier (IB)               | <b>11</b> Shorting "b" Contact (SBC)         |
| <b>5</b> Cell Switch (CEL)                     | <b>12</b> Safety Control Cover (SC)          |
| <b>6</b> Door Interlock (DI)                   | <b>13</b> Racking Interlock (RI)             |
| <b>7</b> MOC (Mechanical Operated Cell switch) | <b>14</b> Safety Shutter Lock (STL)          |

## *Other*

- |   |
|---|
| <b>15</b> Condenser Trip Device (CTD)     |
| <b>16</b> Door Frame (DF)                 |
| <b>17</b> Dust Cover (DC)                 |
| <b>18</b> i-Tester (IT)                   |
| <b>19</b> ATS Controller (ATS)            |
| <b>20</b> Lifting Hook (LM)               |
| <b>21</b> Dummy ACB                       |
| <b>22</b> UVT Time Delay Controller (UDC) |
| <b>23</b> Gateway/Data Logger             |
| <b>24</b> Profibus-DP                     |
| <b>25</b> Temperature Alarm               |



# Connection and Installation



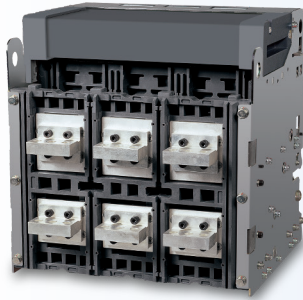
Diversified terminal connection methods of the ACB main circuit for users.



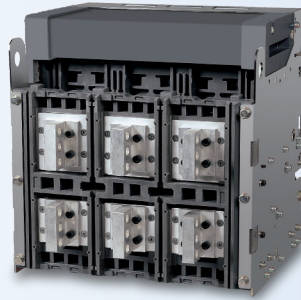
# Multiple connections

## Various installation methods

### Standard connection



Horizontal type(H)

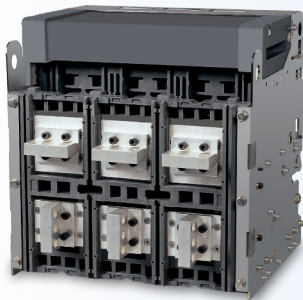


Vertical type(V)



Front type(P) *Note1*

### Mixed connection



Horizontal / Vertical type



Vertical / Horizontal type



Horizontal / Front type *Note2*



Vertical / Front type *Note2*



Front / Horizontal type *Note2*



Front / Vertical type *Note2*

- The Front connection type is suitable for the panel that demands narrow depth for stallation.
- The connection can be modified between vertical type and horizontal type by rotating the terminals through 90 degrees for the breakers such as AN-06~16D, AS-20E~32E, AH-06D~20D, AH-06E~32E,

※ AS-20D, AH-20D, AS-40E, AH-40E types are equipped with vertical terminals only.

- Please refer to the rating lists (Page 34~37) because the installation method is various according to the rated current.

*Note* 1. If P-type is selected, the ACB is shipped without flat type terminal, and the flat type terminal must be purchased separately.

2. For using the mixed connection type which includes flat type terminals, the mixed terminal kit must be purchased separately.



# External configuration

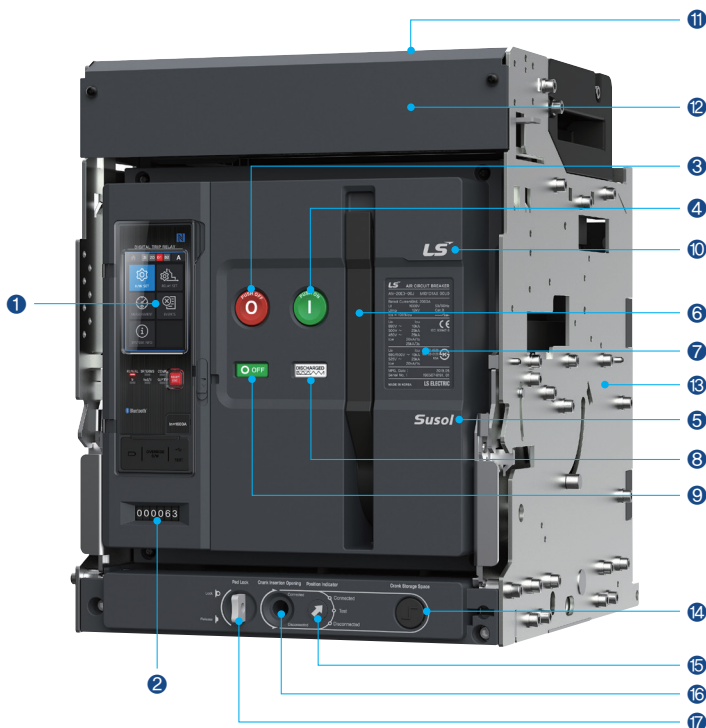
## Fixed type ACB



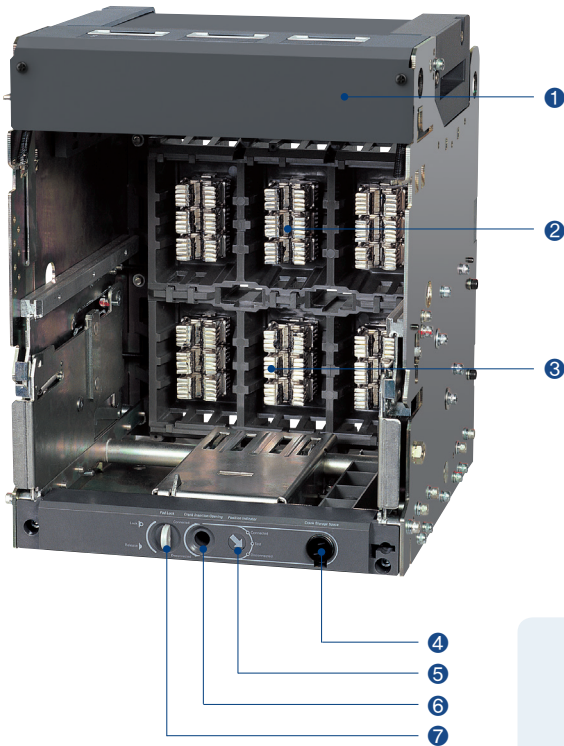
### Terms

- ① Trip relay
- ② Counter
- ③ OFF button
- ④ ON button
- ⑤ Series name
- ⑥ Charge handle
- ⑦ Rated name plate
- ⑧ Charge/Discharge indicator
- ⑨ ON/OFF indicator
- ⑩ Corporation logo
- ⑪ Arc cover (Zero Arc Space)
- ⑫ Safety control cover
- ⑬ Cradle
- ⑭ Draw-out handle
- ⑮ Position indicator
- ⑯ Handle inserting hole
- ⑰ Pad lock button
- ⑱ Arc chute
- ⑲ Front cover
- ⑳ Fixed type bracket

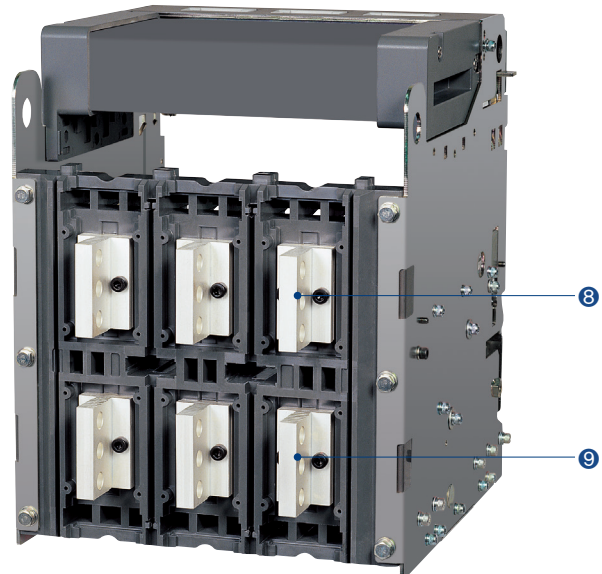
## Draw-out ACB (Cradle)



## Cradle (Internal)



## Cradle (Rear)

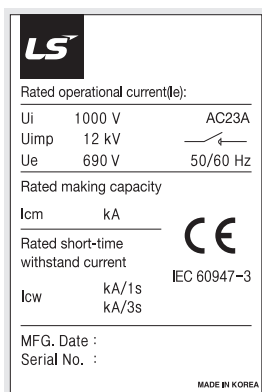
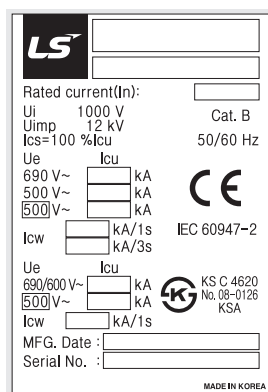


### Terms

- ① Safety control cover
- ② Cradle finger
- ③ Cradle finger
- ④ Draw-out handle
- ⑤ Position indicator
- ⑥ Handle inserting hole
- ⑦ Pad lock button
- ⑧ Connecting terminal
- ⑨ Connecting terminal

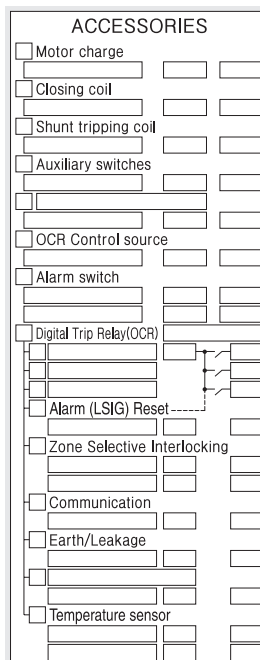
## Rated name plate

### [Acronym explanation]



- Ui: Rated insulation voltage
- Uimp: Impulse withstand voltage
- Ue: Rated operational voltage (AC base)
- Icu: Ultimate breaking capacity
- Ics: Service breaking capacity
- Icw: Short time withstand capacity
- MFG. Date: Manufacturing date
- Icm: Rated making capacity

### [Secondary nameplate]

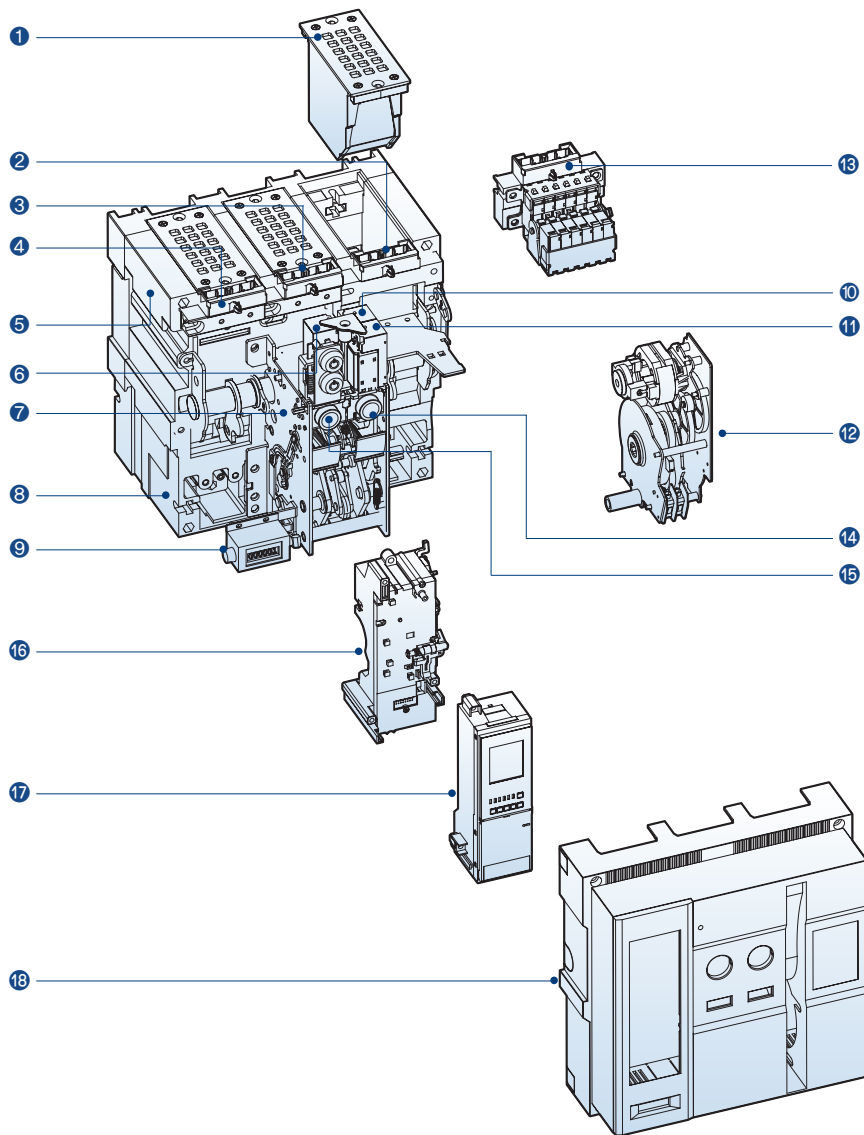


### Explanation of terminologies

- Motor charge Control power and terminal No.
- Closing coil
- Shunt tripping coil
- Auxiliary switches: Contact specification and terminal No.
- Under voltage trip: UVT terminal No.
- OCR control source: Trip relay control power
- Alarm switch: Alarm and terminal No.
- Digital trip relay: Switching diagram
- Z.S.I: Input/Output terminal No.
- Reset: LED/LCD reset
- Communication: Communication and terminal No.
- Voltage module: Phase voltage and symbol
- Earth/Leakage: Ground fault/Earth leakage input terminal No.

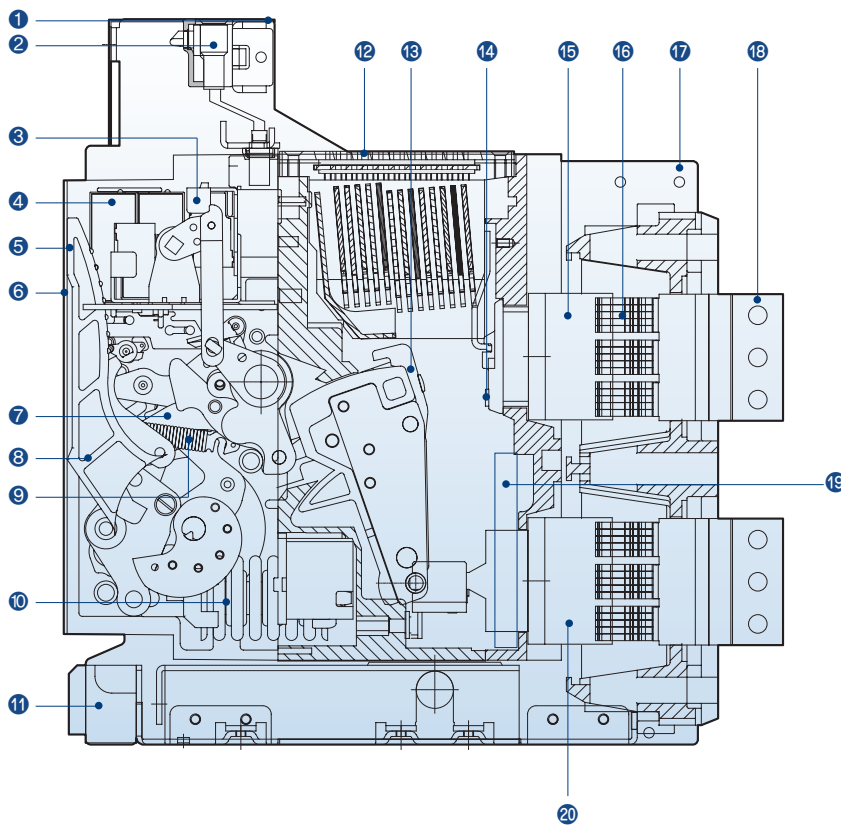


# Internal configuration



## Terms

- ① Arc chuter
- ② Aux. switch control terminal
- ③ Control power supply terminal
- ④ Trip relay control terminal
- ⑤ Carrying grip
- ⑥ Shunt coil
- ⑦ Mechanism
- ⑧ Main body
- ⑨ Counter
- ⑩ Shunt coil
- ⑪ Closing coil
- ⑫ Motor Ass'y
- ⑬ Aux. switch
- ⑭ ON button
- ⑮ OFF button
- ⑯ MTD base
- ⑰ Trip relay
- ⑱ Front cover



## Terms

- ① Control circuit terminal block
- ② Control terminal
- ③ Auxiliary switches
- ④ Closing, Shunt, UVT coil
- ⑤ Trip relay
- ⑥ Front cover
- ⑦ Mechanism
- ⑧ Charge handle
- ⑨ Trip spring
- ⑩ Closing spring
- ⑪ Draw-in/out device
- ⑫ Arc chute
- ⑬ Moving contact
- ⑭ Fixed contact
- ⑮ Terminal on line side
- ⑯ Cradle finger
- ⑰ Cradle
- ⑱ Connecting terminal
- ⑲ Power supply CT
- ⑳ Terminal on load side



# Ordering

## Susol ACB & accessories

<b>AH</b>		<b>10</b>	<b>D</b>	<b>3</b>	<b>10</b>	<b>A</b>
Type		Ampere Frame*	Frame sizes & phase array	No. of pole	Rated current	Connections
Circuit Breakers		06 630AF	630~2000AF	3 3P(D)	00 Without OCR & CT	Draw-out type
AH		08 800AF	D 3P/4P Standard RST(N)	4 4P(D, W)	02 200A	A Automatic connection
Switch Disconnectors		10 1000AF	W 630~2000AF 4P Reverse phase type (N)RST		04 400A	Fixed type
DH		13 1250AF			06 630A	H Horizontal type
		16 1600AF			08 800A	V Vertical type
		20 2000AF			10 1000A	M Mixed type
					13 1250A	M Horizontal
				16 1600A	M Vertical	
				20 2000A	N Mixed type	
					02 200A	N Vertical
				3 3P(E)	04 400A	N Horizontal
			E 630~4000AF 3P/4P Standard RST(N)	4 4P(E, X)	06 630A	P Front type
			X 630~4000AF 4P Reverse phase type (N)RST		08 800A	
		10 1000AF			10 1000A	
		13 1250AF			13 1250A	
		16 1600AF			16 1600A	
		20 2000AF			20 2000A	
		25 2500AF		25 2500A		
		32 3200AF		32 3200A		
		40 4000AF		40 4000A		
					40 4000A	
					50 5000A	
					63 6300A	
		40 4000AF	G 4000/5000/6300AF 3P/4P Standard RST(N)	3 3P(G)		
		50 5000AF		4 4P(G, Z)		
		63 6300AF	Z 4000/5000/6300AF 4P Reverse phase type (N)RST			

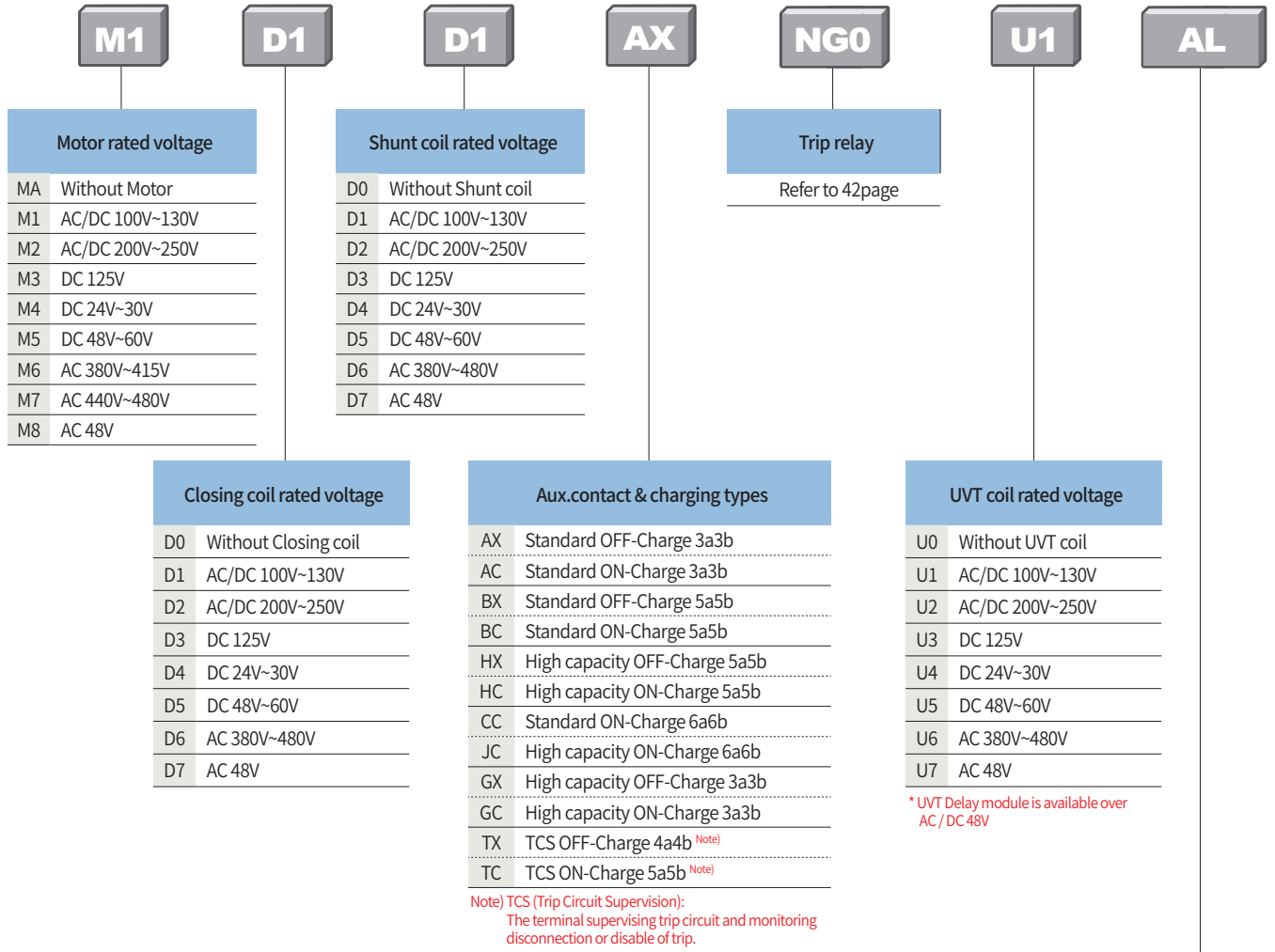
\* 2000AF only offers with vertical type mounting terminals (Busbar).

\* 4000AF only offers with vertical type mounting terminals (Busbar).

\* Please, refer to cradle installation instruction for draw-in/out types. (p.141-144)  
 Note) 1. AH-20D, AH-40E types are equipped with vertical-only terminals.  
 In case of G/Z Frame size, front type & mixed type connection is not available.  
 2. In case of DH type Switch Disconnectors, the rated current (CT Spec.) will be applied 00 (without OCR & CT)  
 3. For the busbar installation method of draw-out type, please refer to the connection type of cradle which describes in page 20  
 4. Front connection terminals should be purchased separately (see Page 92)

<b>AT</b>		<b>20</b>	<b>D</b>	<b>3</b>	<b>00</b>	<b>U</b>
Earthing product		Ampere Frame	Frame size	No. of pole	Rated current	Connections
		20 2000AF	D RST(N)	3 3P		U Line earthed system
		40 4000AF	W Reverse NRST	4 4P		L Load earthed system
			E RST(N)			
			X Reverse NRST			

\* Rated short-circuit withstand current of the protective circuit in earthing product : 60kA/1s \* Please contact us to get more detail information of earthing product.



Option	Type name	Option	Type name	
AL	AL1+MRB	B2	B2	
A1	AL1+MRB+RES (AC110~130V)	M	MI	
A2	AL1+AL2+MRB	D	DI	
A3	AL1+MRB+RES (DC110~125V)		Door Interlock(Catcher type)	
A4	AL1+MRB+RES (AC200~250V)	MOC	Mechanism operated cell switch	
A5	AL1+MRB+Auto reset	K	K1	
A6	AL1+AL2+MRB+Auto reset	K2	K2	
A7	AL1+MRB+RES (DC110~125V)+Auto reset	K3	K3	
A8	AL1+MRB+RES (AC200~250V)+Auto reset	R	RCS	
A9	AL1+MRB+RES (AC110~130V)+Auto reset	T	TM	
Y2	AL1+AL2+MRB (2b contact)	H1 H2 H3 H4 H5 H6 H7	SHT2	
Y6	AL1+AL2+MRB+Auto reset (2b contact)			AC/DC 100~130V
Z2	AL1+AL2+MRB (1a1b contact)			AC/DC 200~250V
Z6	AL1+AL2+MRB+Auto reset (1a1b contact)			DC 125V
C	C			DC 24~30V
S	CS2			DC 48~60V
B	B			AC 380~480V
B1	B1	AC 48V		

Note) 1. Reduplicate of AL is not available  
 2. Reduplicate of Key lock is not available  
 3. Reduplicate of Double shunt coil is not available. It can not be used simultaneously with UVT.  
 4. RCS and CS2 cannot be used simultaneously  
 5. TM and auxiliary contacts TX, TC, CC, JC cannot be used simultaneously.  
 6. MI, DI and MOC cannot be used simultaneously with SBC.



# Ordering

## Metasol ACB & accessories

AS	10	D	3	10	J
Type	Ampere Frame *	Frame sizes & phase array	No. of pole	Rated current **	Connections
<b>Circuit Breakers</b>	06 630AF 08 800AF 10 1000AF 13 1250AF 16 1600AF 20 2000AF	D 630~2000AF 3P/4P Standard RST(N) W 630~2000AF 4P Reverse phase type (N)RST	3 3P(D) 4 4P(D, W)	00 Without OCR & CT 02 200A 04 400A 06 630A 08 800A 10 1000A 13 1250A 16 1600A 20 2000A	Draw-out type J Manual connection A Automatic connection Fixed type H Horizontal type V Vertical type Mixed type M Horizontal Vertical N Mixed type Vertical Horizontal P Front type
<b>Switch Disconnector</b>	20 2000AF 25 2500AF 32 3200AF 40 4000AF	E 630~4000AF 3P/4P Standard RST(N) X 630~4000AF 4P Reverse phase type (N)RST	3 3P(E) 4 4P(E, X)	02 200A 04 400A 06 630A 08 800A 10 1000A 13 1250A 16 1600A 20 2000A 25 2500A 32 3200A 40 4000A	
	40 4000AF 50 5000AF	F 4000/5000AF 3P/4P Standard RST(N) Y 4000/5000AF 4P Reverse phase type (N)RST	3 3P(F) 4 4P(F, Y)	40 4000A 50 5000A	
	40 4000AF 50 5000AF 63 6300AF	G 4000/5000/6300AF 3P/4P Standard RST(N) Z 4000/5000/6300AF 4P Reverse phase type (N)RST	3 3P(G) 4 4P(G, Z)	40 4000A 50 5000A 63 6300A	

\* 2000AF only offers with vertical type mounting terminals (Busbar).

\* 4000AF only offers with vertical type mounting terminals (Busbar).

\* AN type: 630~1600AF

AS type: 630~2000AF, 2000~4000AF, 4000~5000AF, 4000~6300AF

\*\* AN type offers rated current of 1600A when choosing 630~1600AF

\*\*\* Please, refer to cradle installation instruction for draw-in/out types. (p.141~144)

Note) 1. AS-20D, AS-40E types are equipped with vertical-only terminals.

In case of F/Y/G/Z Frame size, front type & mixed type connection is not available.

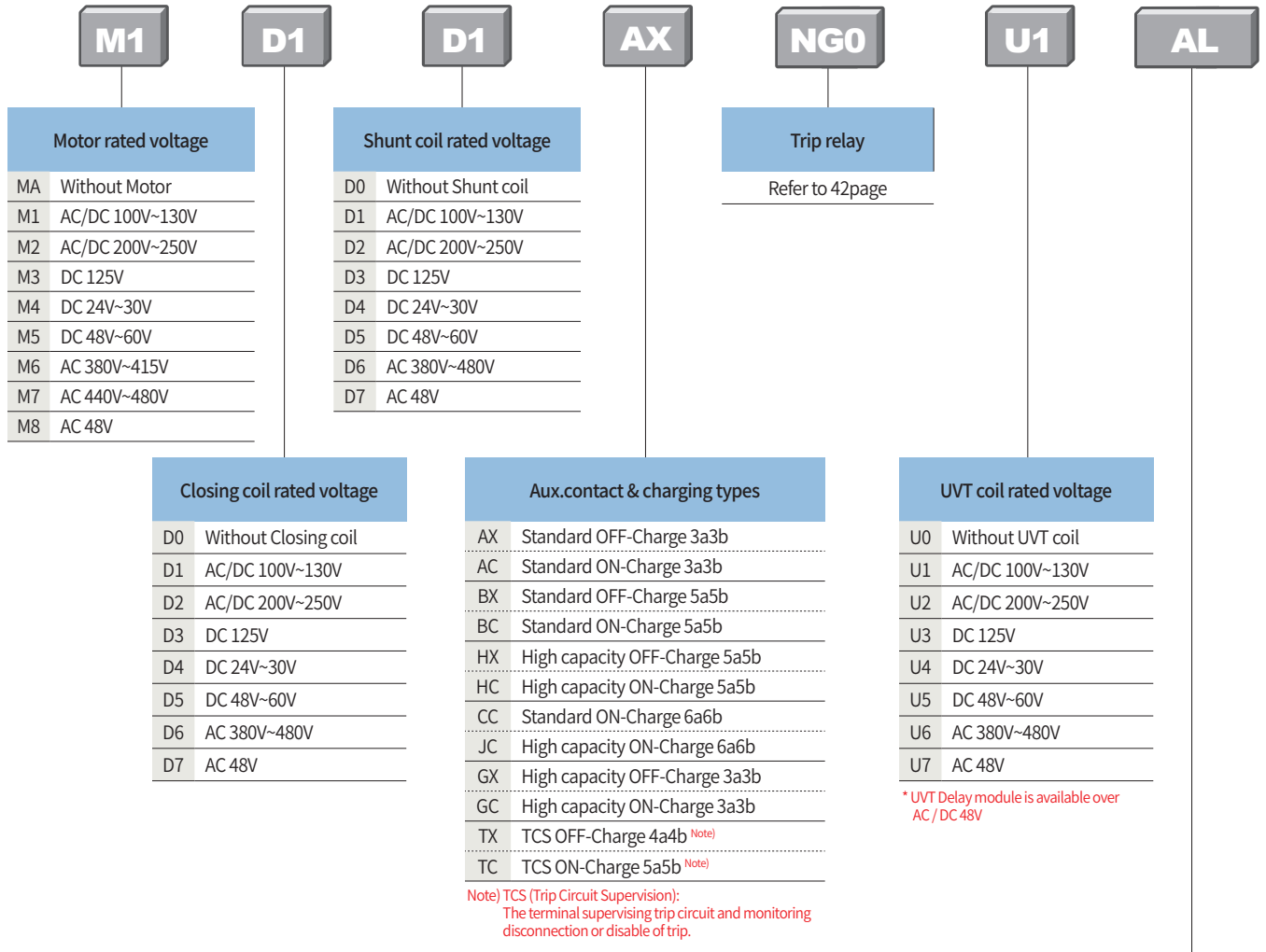
2. In case of DN/DS type Switch Disconnector, the rated current (CT Spec.) will be applied 00 (without OCR & CT)

3. For the busbar installation method of draw-out type, please refer to the connection type of cradle which describes in page 20

4. Front connection terminals should be purchased separately (see Page 92.)

AT	20	D	3	00	U
Earthing product					
	20 2000AF 40 4000AF	D RST(N) W Reverse NRST E RST(N) X Reverse NRST	3 3P 4 4P		U Line earthed system L Load earthed system

\* Rated short-circuit withstand current of the protective circuit in earthing product : 60kA/1s \* Please contact us to get more detail information of earthing product.



\* UVT Delay module is available over AC / DC 48V

Option	Type name	Option	Type name		
AL	AL1+MRB	B2	B2		
A1	AL1+MRB+RES (AC110~130V)	M	MI		
A2	AL1+AL2+MRB	D	DI		
A3	AL1+MRB+RES (DC110~125V)		MOC		
A4	AL1+MRB+RES (AC200~250V)	K	K1		
A5	AL1+MRB+Auto reset	K2	K2		
A6	AL1+AL2+MRB+Auto reset	K3	K3		
A7	AL1+MRB+RES (DC110~125V)+Auto reset	R	RCS		
A8	AL1+MRB+RES (AC200~250V)+Auto reset	T	TM		
A9	AL1+MRB+RES (AC110~130V)+Auto reset	H1~H7	SHT2		
Y2	AL1+AL2+MRB (2b contact)				AC/DC 100~130V
Y6	AL1+AL2+MRB+Auto reset (2b contact)				AC/DC 200~250V
Z2	AL1+AL2+MRB (1a1b contact)				DC 125V
Z6	AL1+AL2+MRB+Auto reset (1a1b contact)				DC 24~30V
C	C				DC 48~60V
S	CS2				AC 380~480V
B	B		AC 48V		
B1	B1				

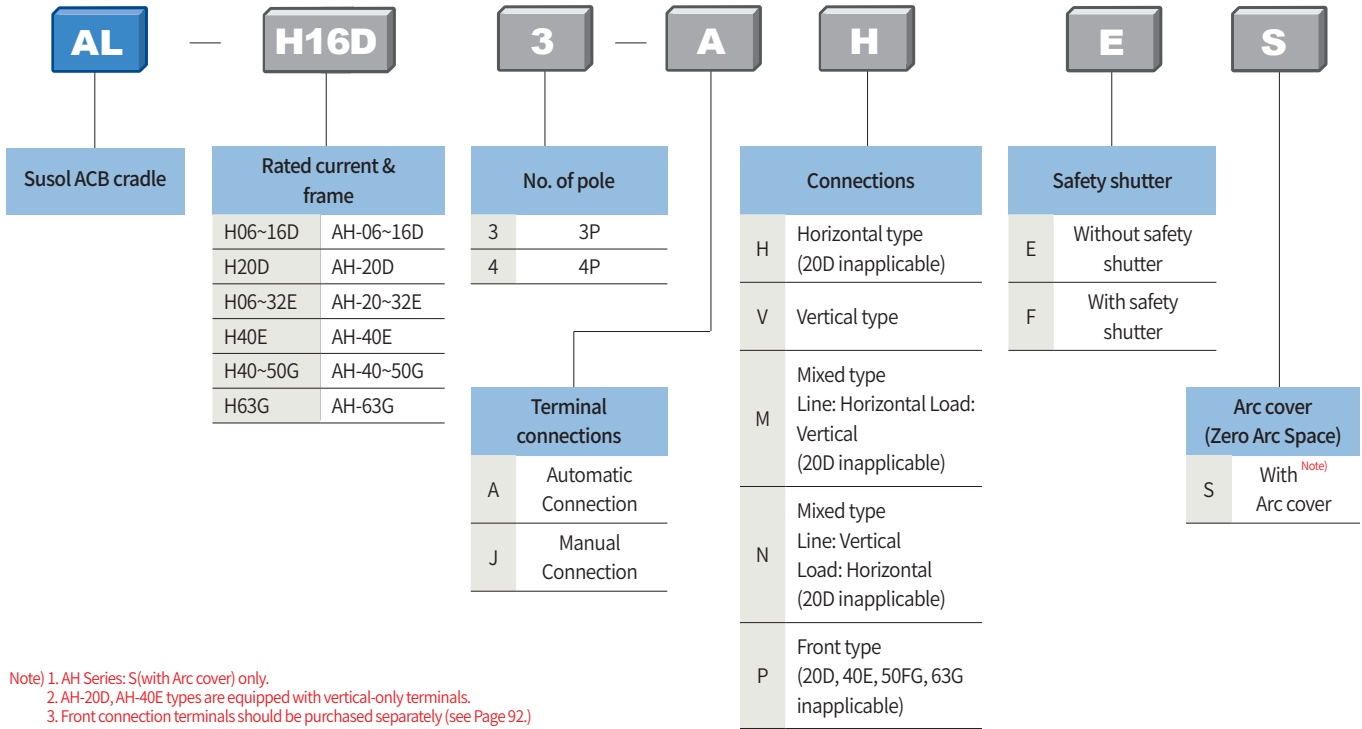
Note) 1. Reduplicate of AL is not available  
 2. Reduplicate of Key lock is not available  
 3. Reduplicate of Double shunt coil is not available. It can not be used simultaneously with UVT.

4. RCS and CS2 cannot be used simultaneously  
 5. TM and auxiliary contacts TX, TC, CC, JC cannot be used simultaneously.  
 6. MI, DI and MOC cannot be used simultaneously with SBC.

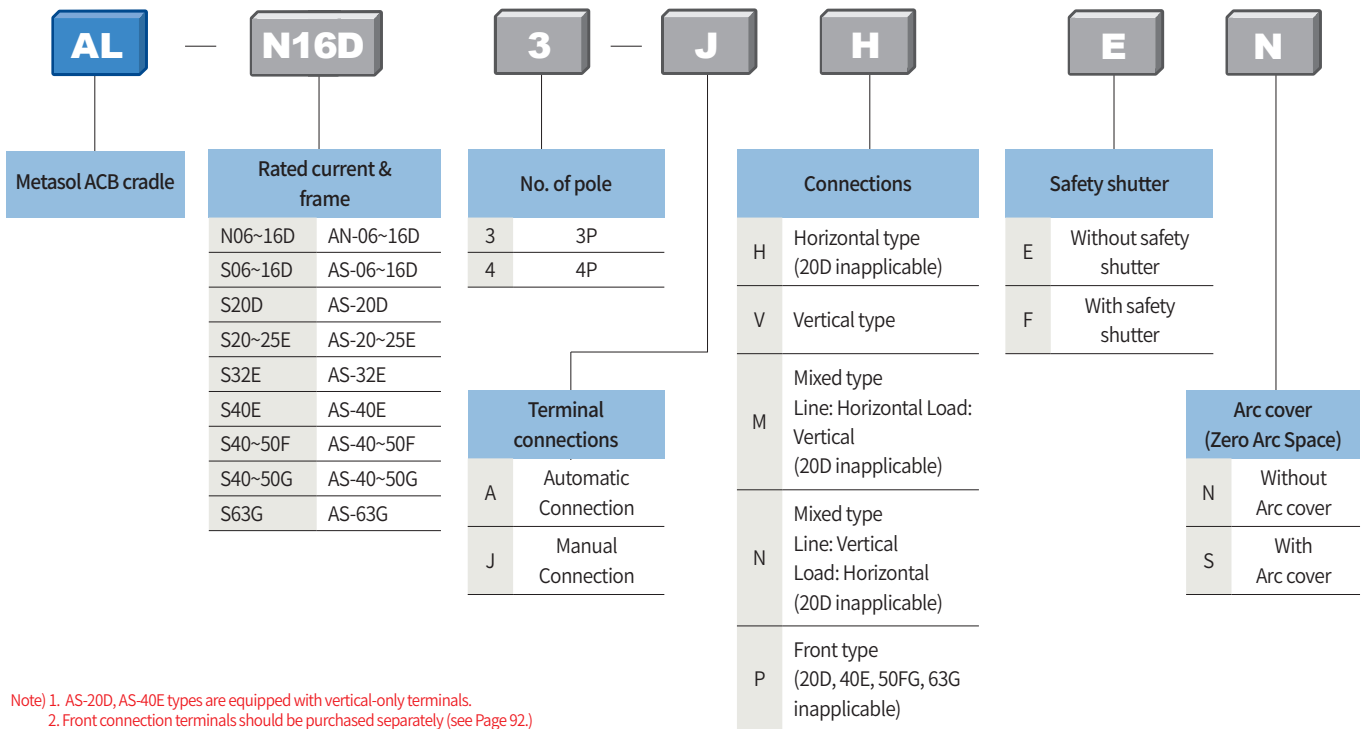


# Ordering

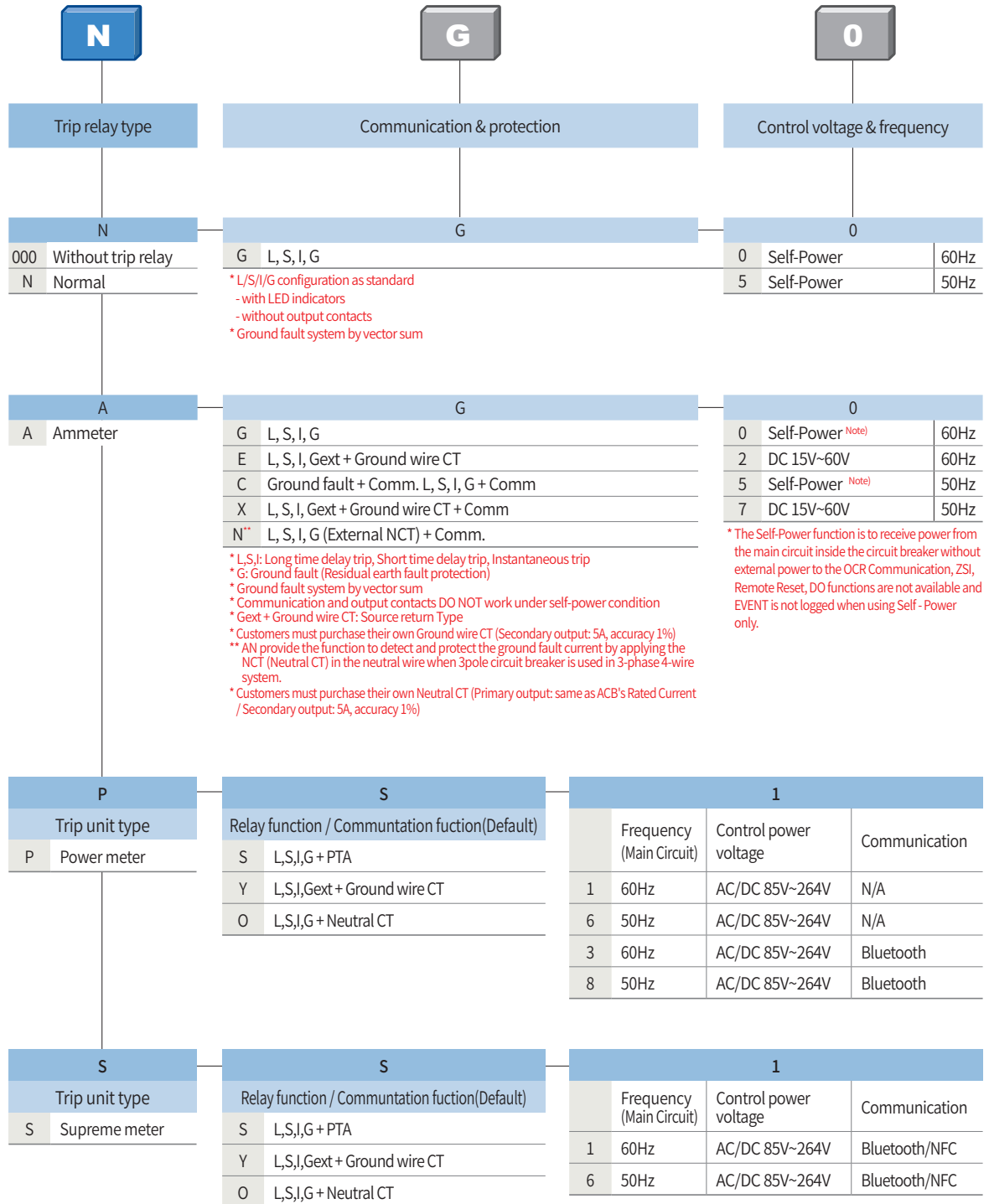
## Susol cradle



## Metasol cradle



# Susol/Metasol trip relay



\* Self-power is basic function (Automatic power supply to the Trip Unit without additional control power)  
 \* L,S,I: Long time delay trip, Short time delay trip, Instantaneous trip  
 \* G: Ground fault (Residual earth fault protection)  
 \* Gext + Ground wire CT: Source return Type \* PTA: Pre-trip alarm Function  
 \* Customers must purchase their own Ground wire CT (Secondary output: 5A, accuracy 1%)  
 \* Customers must purchase their own Neutral CT (Primary output: same as ACB's Rated Current / Secondary output: 5A, accuracy 1%)  
 \* The STU acceptable voltage range is 100 to 250V.  
 \* If you want an external VDM, please insert '(-V)' at the end of the full ordering.

Item	Description	Features	Remark
72313460708	TOTAL ASS'Y/VDM(Shield Cable), EXTERNAL, STU	Accessory	Separate purchasing

\* If you want to apply external VDM separately, please order the code above.

# Ratings

## Susol Circuit Breaker



Type				
Ampere frame	(AF)			
Rated current (A)	(In max)	at 40°C		
Setting current (A) *	Control trip relay (... × In max)			
Rated current of neutral pole (A)				
Rated insulation voltage (V)	(Ui)			
Rated operational voltage (V)	(Ue)			
Rated impulse withstand voltage (kV)	(Uimp)			
Frequency (Hz)				
Number of poles (P)				
Rated breaking capacity (kA sym)	220V/230V/380V/415V			
AC 50/60Hz	(Icu)	IEC 60947-2 KS C 4620	460V/480V/500V 550V/600V/690V	
Rated service breaking capacity (kA)	(Ics)	... % × Icu		
Rated making capacity (kA peak)	220V/230V/380V/415V			
AC 50/60Hz	(Icm)	IEC 60947-2 KS C 4620	460V/480V/500V 550V/600V/690V	
Rated short-time withstand current (kA)	(Icw)	1 sec 2 sec 3 sec		
Operating time (ms)	Maximum total breaking time Maximum closing time			
Life cycle (time)	Mechanical Electrical			
Connections **	Draw-out / Fixed	Horizontal connection Vertical connection Front connection Mixed connection		
Weight (kg)	Draw-out type	Main body (With cradle) Cradle only	Motor charging type Manual charging type	
(3P/4P)	Fixed type	Motor charging type Manual charging type		
External dimensions (mm)		Draw-out type	3P 4P	
(H×W×D)		Fixed type	3P 4P	
		430×334×375		
		430×419×375		
	300×300×295			
	300×385×295			
Trip relay	N, A, P, S type			
Certificate & Approval	KS / KEMA / KERI / GOST / CCC			
Marine classification	LR, ABS, DNV, KR, BV, GL, RINA, NK			

Susol					
AH-06D	AH-08D	AH-10D	AH-13D	AH-16D	AH-20D
630	800	1000	1250	1600	2000
200, 400, 630	200, 400, 630, 800	630, 800, 1000	630, 800, 1000, 1250	800, 1000, 1250, 1600	1000, 1250, 1600, 2000
0.4 ~ 1.0					
630	800	1000	1250	1600	2000
1,000					
690					
12					
50/60					
3/4					
85					
85					
65					
100%					
187					
187					
143					
65					
60					
50					
Less than 25ms under Icw/Less than 75ms over Icw					
80ms under					
20,000					
5,000					
		●		-	
		○		●	
		○		-	
		○		-	
		63/74		70/85	
		61/72		68/83	
		29/32		33/40	
		34/44		38/47	
		32/42		36/45	
N, A, P, S type					
KS / KEMA / KERI / GOST / CCC					
LR, ABS, DNV, KR, BV, GL, RINA, NK					

\* Refer to trip relay specification. \*\* ●: Standard, ○: Option

- Note) 1. Life time means not guarantee, but limitation.  
 Quality guarantee: On/Off frequency on the basis of IEC60947-2 within the term of guarantee  
 2. In case of Marine ACB, please contact us.  
 3. The use of AN-D, AS-D, AH-D and AS-F in IT systems is limited to 500 V network voltage.  
 4. AH-20D, AH-40E types are equipped with vertical-only terminals.





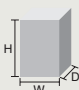
Susol									Susol				
AH-06E	AH-08E	AH-10E	AH-13E	AH-16E	AH-20E	AH-25E	AH-32E	AH-40E	AH-40G	AH-50G	AH-63G		
630	800	1000	1250	1600	2000	2500	3200	4000	4000	5000	6300		
200, 400, 630	400, 630 800, 800, 1000	630, 800, 1000	630, 800, 1000, 1250	800, 1000, 1250, 1600, (1600)	1000, 1250, 1600, 2000	1250, 1600, 2000, 2500	1600, 2000, 2500, 3200	2000, 2500, 3200, 4000, (3200)	2000, 2500, 3200, 4000	2500, 3200, 4000, 5000	3200, 4000, 5000, 6300		
0.4 ~ 1.0													
630	800	1000	1250	1600	2000	2500	3200	4000	4000	5000	6300		
1,000									1,000				
690									690				
12									12				
50/60									50/60				
3/4									3/4				
100									150				
100									150				
85									100				
100%									100%				
220									330				
220									330				
187									220				
85									100				
75									85				
65									75				
Less than 25ms under Icw/Less than 75ms over Icw									Less than 25ms under Icw/Less than 75ms over Icw				
80ms under									90ms under				
15,000									10,000				
5,000									2,000				
●									○				
○									●				
○									-				
○									-				
87/103									107/139		181/223		186/230
85/101									102/145		179/221		184/228
44/55									65/85		97/117		102/124
44/55									61/81		98/123		103/130
42/53									60/80		96/121		101/128
430×412×375									460×785×375				
430×527×375									460×1015×375				
300×378×295									300×751×295				
300×493×295									300×981×295				
N, A, P, S type									N, A, P, S type				
KS / KEMA / KERI / GOST / CCC									KS / KEMA / KERI / GOST / CCC				
LR, ABS, DNV, KR, BV, GL, RINA, NK									LR, ABS, DNV, KR, BV, GL, RINA, NK				

※ Derating of the rated current is required according to the ambient temperature around the breaker in a panel if it is higher than the reference value. (See pages 123 to 126)  
 ※ It is possible to connect power and load side reversely, but please use it for normal connection for maintenance and safety.

# Ratings

## Susol Switch-Disconnecter



				<i>Susol</i>					
Type				DH-06D	DH-08D	DH-10D	DH-13D	DH-16D	DH-20D
Ampere frame	(AF)			630	800	1000	1250	1600	2000
Rated current (A)	(In max)	at 40°C		200, 400, 630	200, 400, 630, 800	630, 800, 1000	630, 800, 1000, 1250	800, 1000, 1250, 1600	1000, 1250, 1600, 2000
Setting current (A) *	Control trip relay (... × In max)			0.4 ~ 1.0					
Rated current of neutral pole (A)				630	800	1000	1250	1600	2000
Rated insulation voltage (V)	(Ui)			1,000					
Rated operational voltage (V)	(Ue)			690					
Rated impulse withstand voltage (kV)	(Uimp)			12					
Frequency (Hz)				50/60					
Number of poles (P)				3/4					
Rated making capacity (kA peak)	(Icm)	IEC 60947-2 AC	~ 690V	143					
Rated short-time withstand current (kA)	(Icw)			65					
				60					
				50					
Operating time (ms)			Under 40ms						
			Under 80ms						
Life cycle (time)	Mechanical			20,000					
	Electrical			5,000					
Connections **	Draw-out / Fixed	Horizontal connection		●					-
		Vertical connection		○					●
		Front connection		○					-
		Mixed connection		○					-
Weight (kg) (3P/4P)	Draw-out type	Main body (With cradle)	Motor charging type	63/74				70/85	
			Manual charging type	61/72				68/83	
		Cradle only		29/32				33/40	
	Fixed type			Motor charging type	34/44				38/47
				Manual charging type	32/42				36/45
External dimensions (mm) (H×W×D)		Draw-out type	3P	430×334×375					
			4P	430×419×375					
		Fixed type	3P	300×300×295					
			4P	300×385×295					

\* Refer to trip relay specification. \*\* ●: Standard, ○: Option

Note) 1. Life time means not guarantee, but limitation.  
 Quality guarantee: On/Off frequency on the basis of IEC60947-3 within the term of guarantee  
 2. In case of Marine ACB, please contact us.  
 3. DH-20D, DH-40E types are equipped with vertical-only terminals.



<i>Susol</i>								
DH-06E	DH-08E	DH-10E	DH-13E	DH-16E	DH-20E	DH-25E	DH-32E	DH-40E
630	800	1000	1250	1600	2000	2500	3200	4000
200, 400, 630	400, 630, 800, (800)	630, 800, 1000	630, 800, 1000, 1250	800, 1000, 1250, 1600, (1600)	1000, 1250, 1600, 2000	1250, 1600, 2000, 2500	1600, 2000, 2500, 3200	2000, 2500, 3200, 4000, (3200)
0.4 ~ 1.0								
630	800	1000	1250	1600	2000	2500	3200	4000
1,000								
690								
12								
50/60								
3/4								
187								
85								
75								
65								
Under 40ms								
Under 80ms								
15,000								
5,000								
●								-
○								●
○								-
○								-
87/103								107/139
85/101								102/145
44/55								65/85
44/55								61/81
42/53								60/80
430×412×375								
430×527×375								
300×378×295								
300×493×295								

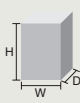
※ Derating of the rated current is required according to the ambient temperature around the breaker in a panel if it is higher than the reference value. (See pages 123 to 126)



# Ratings

## Metasol Circuit Breaker



			<i>Metasol</i>				
Type			AN-06D	AN-08D	AN-10D	AN-13D	AN-16D
Ampere frame	(AF)		630	800	1000	1250	1600
Rated current (A)	(In max)	at 40°C	200, 400, 630	200, 400, 630, 800	630, 800, 1000	630, 800, 1000, 1250	800, 1000, 1250, 1600
Setting current (A) *	Control trip relay (... × In max)		0.4 ~ 1.0				
Rated current of neutral pole (A)			630	800	1000	1250	1600
Rated insulation voltage (V)	(Ui)		1,000				
Rated operational voltage (V)	(Ue)		690				
Rated impulse withstand voltage (kV)	(Uimp)		12				
Frequency (Hz)			50/60				
Number of poles (P)			3/4				
Rated breaking capacity (kA sym)	(Icu)	IEC 60947-2 KS C 4620	220V/230V/380V/415V		65		
AC 50/60Hz			460V/480V/500V		65		
			550V/600V/690V		50		
Rated service breaking capacity (kA)	(Ics)		... % × Icu		100%		
Rated making capacity (kA peak)	(Icm)	IEC 60947-2 KS C 4620	220V/230V/380V/415V		143		
AC 50/60Hz			460V/480V/500V		143		
			550V/600V/690V		105		
Rated short-time withstand current (kA)	(Icw)		1 sec		50		
			2 sec		42		
			3 sec		36		
Operating time (ms)			Maximum total breaking time		Less than 25ms under Icw/Less than 75ms over Icw		
			Maximum closing time		80ms under		
Life cycle (time)	Mechanical		20,000				
	Electrical		5,000				
Connections **	Draw-out / Fixed	Horizontal connection		●			
		Vertical connection		○			
		Front connection		○			
		Mixed connection		○			
Weight (kg)	Draw-out type	Main body (With cradle)	Motor charging type		63/74		
(3P/4P)			Manual charging type		61/72		
		Cradle only		29/32			
	Fixed type	Motor charging type		34/44			
		Manual charging type		32/42			
External dimensions (mm)		Draw-out type	3P		430 × 334 × 375		
(H × W × D)			4P		430 × 419 × 375		
		Fixed type	3P		300 × 300 × 295		
			4P		300 × 385 × 295		
Trip relay			N, A, P, S type				
Certificate & Approval			KS / KEMA / KERI / GOST				
Marine classification			-				

\* Refer to trip relay specification. \*\* ●: Standard, ○: Option

- Note) 1. Life time means not guarantee, but limitation.  
 Quality guarantee: On/Off frequency on the basis of IEC60947-2 within the term of guarantee  
 2. The use of AN-D, AS-D and AS-F in IT systems is limited to 500 V network voltage.  
 3. AS-20D, AS-40E types are equipped with vertical-only terminals.



Metasol						Metasol				Metasol		Metasol						
AS-06D	AS-08D	AS-10D	AS-13D	AS-16D	AS-20D	AS-20E	AS-25E	AS-32E	AS-40E	AS-40F	AS-50F	AS-40G	AS-50G	AS-63G				
630	800	1000	1250	1600	2000	2000	2500	3200	4000	4000	5000	4000	5000	6300				
200, 400, 630	200, 400, 630, 800	630, 800, 1000	630, 800, 1000, 1250	800, 1000, 1250, 1600	1000, 1250, 1600, 2000	200, 400, 630, 800, 1000, 1250, 1600, 2000	1250, 1600, 2000, 2500	1600, 2000, 2500, 3200	2000, 2500, 3200, 4000	2000, 2500, 3200, 4000, (3200, 4000)	2500, 3200, 4000, 5000	2000, 2500, 3200, 4000	2500, 3200, 4000, 5000	3200, 4000, 5000, 6300				
0.4 ~ 1.0						0.4 ~ 1.0				0.4 ~ 1.0		0.4 ~ 1.0						
630	800	1000	1250	1600	2000	2000	2500	3200	4000	4000	5000	4000	5000	6300				
1,000						1,000				1,000		1,000						
690						690				690		690						
12						12				12		12						
50/60						50/60				50/60		50/60						
3/4						3/4				3/4		3/4						
70						85				100		120						
70						85				100		120						
65						85				85		100						
100%						100%				100%		100%						
154						187				220		264						
154						187				220		264						
143						187				187		220						
65						85				85		100						
50						75				75		85						
42						65				65		75						
Less than 25ms under Icw/Less than 75ms over Icw						Less than 25ms under Icw/Less than 75ms over Icw				Less than 25ms under Icw/Less than 75ms over Icw		Less than 25ms under Icw/Less than 75ms over Icw						
80ms under						80ms under				90ms under		90ms under						
20,000						15,000				10,000		10,000						
5,000						5,000				2,000		2,000						
●						●				○		○						
○						○				●		●						
○						○				-		-						
○						○				-		-						
63/74						70/85				87/103		104/147		107/139		181/223		186/230
61/72						63/83				85/101		102/145		102/145		179/221		184/228
29/32						33/40				44/50		58/70		65/85		97/117		102/124
34/44						38/47				44/55		63/100		61/81		98/123		103/130
32/42						36/45				42/53		61/98		60/80		96/121		101/128
430×334×375						430×412×375				430×527×375		460×629×375		460×785×375		460×1015×375		
430×419×375						430×527×375				430×527×375		460×799×375		460×1015×375		460×1015×375		
300×300×295						300×378×295				300×378×295		300×597×295		300×751×295		300×751×295		
300×385×295						300×493×295				300×493×295		300×767×295		300×981×295		300×981×295		
N, A, P, S type						N, A, P, S type				N, A, P, S type		N, A, P, S type		N, A, P, S type		N, A, P, S type		
KS / KEMA / KERI / GOST						KS / KEMA / KERI / GOST				KS / KEMA / KERI / GOST		KS / KEMA / KERI / GOST		KS / KEMA / KERI / GOST		KS / KEMA / KERI / GOST		
LR, ABS, DNV, KR, BV, GL, RINA, NK						LR, ABS, DNV, KR, BV, GL, RINA, NK				LR, ABS, DNV, KR, BV, GL, RINA, NK		LR, ABS, DNV, KR, BV, GL, RINA, NK		LR, ABS, DNV, KR, BV, GL, RINA, NK		LR, ABS, DNV, KR, BV, GL, RINA, NK		

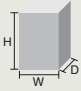
※ Derating of the rated current is required according to the ambient temperature around the breaker in a panel if it is higher than the reference value. (See pages 123 to 126)

※ It is possible to connect power and load side reversely, but please use it for normal connection for maintenance and safety.

# Ratings

## Metasol Switch-Disconnecter



			Metasol					
Type			DN-06D	DN-08D	DN-10D	DN-13D	DN-16D	
Ampere frame	(AF)		630	800	1000	1250	1600	
Rated current (A)	(In max)	at 40°C	200, 400, 630	400, 630, 800	630, 800, 1000	630, 800, 1000, 1250	800, 1000, 1250, 1600	
Setting current (A) *	Control trip relay (... × In max)		0.4~1.0					
Rated current of neutral pole (A)			630	800	1000	1250	1600	
Rated insulation voltage (V)	(Ui)		1000					
Rated operational voltage (V)	(Ue)		690					
Rated impulse withstand voltage (kV)	(Uimp)		12					
Frequency	(Hz)		50/60					
Number of poles	(P)		3/4					
Rated making capacity (kA peak)	(Icm)	IEC 60947-3 AC 690V / 600V / 550V	105					
Rated short-time withstand current (kA)	(Icw)		1 sec					
			2 sec					
			3 sec					
Operating time (t)	(ms)	Opening time by SHT coil	Under 40ms					
		Closing time by closing spring	Under 80ms					
Life cycle	(time)	Mechanical	20000					
		Electrical	5000					
Connections **	Draw-out type/ Fixed type	Horizontal connection	●	●	●	●	●	
		Vertical connection	○	○	○	○	○	
		Front connection	○	○	○	○	○	
		Mixed connection	○	○	○	○	○	
Weight (kg) (3P/4P)	Draw-out type	Main body (With cradle)	Motor charging type					
			Manual charging type					
	Fixed type	Cradle only	29/32					
			Motor charging type	34/44				
		Manual charging type	32/42					
External dimensions (mm) (H×W×D)		Draw-out type	3P	430×334×375				
			4P	430×419×375				
		Fixed type	3P	300×300×295				
			4P	300×385×295				

\* Refer to trip relay specification. \*\* ●: Standard, ○: Option

Note) 1. Life time means not guarantee, but limitation.  
Quality guarantee: On/Off frequency on the basis of IEC60947-3 within the term of guarantee  
2. DS-20D, DS-40E types are equipped with vertical-only terminals.





Metasol						Metasol			
DS-06D	DS-08D	DS-10D	DS-13D	DS-16D	DS-20D	DS-20E	DS-25E	DS-32E	DS-40E
630	800	1000	1250	1600	2000	2000	2500	3200	4000
200, 400, 630	400, 630, 800	630, 800, 1000	630, 800, 1000, 1250	800, 1000, 1250, 1600	1000, 1250, 1600, 2000	200, 400, 630, 800, 1000, 1250, 1600, 2000	1250, 1600, 2000, 2500	1600, 2000, 2500, 3200	2000, 2500, 3200, 4000
0.4~1.0						0.4~1.0			
630	800	1000	1250	1600	2000	2000	2500	3200	4000
1000						1000			
690						690			
12						12			
50/60						50/60			
3/4						3/4			
143						187			
65						85			
50						75			
42						65			
Under 40ms						Under 40ms			
Under 80ms						Under 80ms			
20000						15000			
5000						5000			
●	●	●	●	●	-	●	●	●	-
○	○	○	○	○	●	○	○	○	●
○	○	○	○	○	-	○	○	○	-
○	○	○	○	○	-	○	○	○	-
63/74					70/85	87/103			107/139
61/72					68/83	85/101			102/145
29/32					33/40	44/50			65/85
34/44					38/47	44/55			61/81
32/42					36/45	42/53			60/80
430×334×375						430×412×375			
430×419×375						430×527×375			
300×300×295						300×378×295			
300×385×295						300×493×295			

※ Derating of the rated current is required according to the ambient temperature around the breaker in a panel if it is higher than the reference value. (See pages 123 to 126)

# Trip relay

The trip relay of Susol ACB provides the additional protection functions for voltage, frequency, unbalance, and others in addition to main protection functions for over current, short-circuit, ground fault. It supports the advanced measurement functions for voltage, current, power, electric energy, harmonics, communication function, and others.

Analog trip function interlocked with mechanism enhanced a durability of devices as well as the breaking capacity of ACB.

Zone selective interlocking function makes the protective coordination more simple and thermal memory can be applied to various loads.



## Contents

Trip relay types	41
N type: 「Normal」 type	44
A type: 「Ammeter」 type	46
P type: 「Power meter」 type	48
S type: 「Supreme meter」 type	50
Operation characteristic	52
Measurement function	54
Man machine interface	55
Protection element setting	56
Measurement element display	57
Characteristic curves	58
ZSI - Zone Selective Interlocking	63
Remote reset and digital I/O	64
Communication	65
Event & fault recording	66
System information	66
System block diagram	67

## Trip relay types

	N-Type	A-Type	P-Type	S-Type
Externals				
Current relay	• L, S, I, G	• L, S, I, G	• L(N), S1, I, G, PTA, Gext • D, S(V)1, IU	• L(N), S1, S2, I, G, PTA, Gext • D, S(V)1, S(V)2, IU
Voltage relay	-	-	• UV1, OV1, RV, VU	• UV1, UV2, OV1, OV2, RV, VU
Frequency relay	-	-	• UF1, OF1, ROCOF	• UF1, UF2, OF1, OF2, ROCOF
Power relay	-	-	• RP, RQ1, OP, OQ, UP	• RP, RQ1, RQ2, OP, OQ, UP
Group control	-	-	-	• A, B (Control by DI and communication)
Relay fine tuning	-	-	• Possible (Adjust knob and freely set operating value current)	• Possible (Freely set operating value current)
ERMS	-	-	• Control by DI and Communication	• Control by DI and Communication
IDMTL Support	-	-	• L relay element (Thermal, DT, SIT, VIT, EIT, EIT50)	• L relay element (Thermal, DT, SIT, VIT, EIT, EIT50)
Trip information Maintenance LED	• L, S, I, G, SP	• L, S, I, G/Gext, SP	• L, S, I, G/Gext, SP	• L, S, I, G/Gext, SP
Incident record	Screen	• Saves 10 incident events	• Display of 127 incident events (Incident phase/current/time)	• Display of 127 incident events (Incident phase/current/time)
	Memory	-	• Saves 127 incident events • Saves 6 incident waveforms (In case of operation by Self Power, incident waveform is not saved)	• Saves 127 incident events • Saves 6 incident waveforms (In case of operation by Self Power, incident waveform is not saved)



# Trip relays

## Trip relay types

		N-Type	A-Type	P-Type	S-Type
Measuring function		-	<ul style="list-style-type: none"> <li>• Current [R/S/T/N]</li> <li>• External CT current</li> <li>• Vector Sum zero sequence current</li> </ul>	<ul style="list-style-type: none"> <li>• 3 phase voltage, line - to - line voltage</li> <li>• Current (R/S/T/N)</li> <li>• Frequency</li> <li>• External CT current</li> <li>• Voltage/Current phase (A phase voltage standard)</li> <li>• Total/Each phase power (P, Q, S)</li> <li>• Total/Each phase power factor</li> <li>• Positive/Negative, Effective/Reactive/Apparent energy</li> <li>• Vector sum zero sequence voltage</li> <li>• Vector sum zero sequence current</li> <li>• Positive, Negative sequence voltage</li> <li>• Positive, Negative sequence current</li> <li>• Voltage imbalance rate</li> <li>• Current imbalance rate</li> <li>• Previous current demand for each phase</li> <li>• Previous apparent, reactive and active power demand</li> </ul>	<ul style="list-style-type: none"> <li>• 3 phase voltage, line - to - line voltage</li> <li>• Current (R/S/T/N)</li> <li>• Frequency</li> <li>• External CT current</li> <li>• Voltage/Current phase (A phase voltage standard)</li> <li>• Total/Each phase power (P, Q, S)</li> <li>• Total/Each phase power factor</li> <li>• Positive/Negative, Effective/Reactive/Apparent energy</li> <li>• Vector sum zero sequence voltage</li> <li>• Vector sum zero sequence current</li> <li>• Positive, Negative sequence voltage</li> <li>• Positive, Negative sequence current</li> <li>• Voltage imbalance rate</li> <li>• Current imbalance rate</li> <li>• Previous current demand for each phase</li> <li>• Previous apparent, reactive and active power demand</li> </ul>
Accuracy degree of measurement	Current	-	• 6%	• 0.5%	• 0.5%
	Voltage	-	-	• 0.5%	• 0.5%
	Power	-	-	• Class 1 (IEC 62053 - 21, 22)	• Class 1 (IEC 62053 - 21, 22)
	Frequency	-	-	• 0.1% (10 ~ 200Hz)	• 0.1% (10 ~ 200Hz)
PQ function		-	-	<ul style="list-style-type: none"> <li>• Voltage/Current harmonics harmonics 63<sup>rd</sup></li> <li>• Voltage THD</li> <li>• Current THD, TDD, K - Factor</li> </ul>	<ul style="list-style-type: none"> <li>• Voltage/Current harmonics harmonics 63<sup>rd</sup></li> <li>• Voltage THD</li> <li>• Current THD, TDD, K - Factor</li> </ul>
Measurement record		-	-	<ul style="list-style-type: none"> <li>• Max Current demand</li> <li>• Demand for max apparent, reactive and active power</li> <li>• Max active power</li> <li>• Max Vo</li> <li>• Max Io</li> <li>• Max Ext Io</li> <li>• Max In</li> <li>• Max internal temperature</li> </ul>	<ul style="list-style-type: none"> <li>• Max Current demand</li> <li>• Demand for max apparent, reactive and active power</li> <li>• Max active power</li> <li>• Max Vo</li> <li>• Max Io</li> <li>• Max Ext Io</li> <li>• Max In</li> <li>• Max internal temperature</li> </ul>
Real time waveform		-	-	<ul style="list-style-type: none"> <li>• Using USB/RS485 communication</li> <li>• Using LCD screen</li> </ul>	<ul style="list-style-type: none"> <li>• Using USB/RS485 communication</li> <li>• Using LCD screen</li> </ul>

	N-Type	A-Type	P-Type	S-Type
Communication	-	<ul style="list-style-type: none"> <li>• USB (For site operator)</li> <li>• RS485/Modbus</li> </ul>	<ul style="list-style-type: none"> <li>• USB (For site operator)</li> <li>• RS485/Modbus</li> <li>• BLE (Bluetooth, Option)</li> </ul>	<ul style="list-style-type: none"> <li>• USB (For site operator)</li> <li>• RS485/Modbus</li> <li>• BLE (Bluetooth)</li> <li>• NFC (Near Field communication)</li> </ul>
Power	<ul style="list-style-type: none"> <li>• Self Power (Operates when it is higher than 30% of rated current by single phase load)</li> </ul>	<ul style="list-style-type: none"> <li>• Self Power (Operates when it is higher than 30% of rated current by single phase load)</li> <li>• AC/DC 88~264V</li> <li>• DC 24V/48V</li> </ul>	<ul style="list-style-type: none"> <li>• Self Power (Operates when it is higher than 50% of rated current by single phase load)</li> <li>• AC/DC 88~264V</li> </ul>	<ul style="list-style-type: none"> <li>• Self Power (Operates when it is higher than 50% of rated current by single phase load)</li> <li>• AC/DC 88~264V</li> </ul>
Event record	-	-	<ul style="list-style-type: none"> <li>• 255 kinds including change of device status (Information, status, date and time)</li> </ul>	<ul style="list-style-type: none"> <li>• 255 kinds including change of device status (Information, status, date and time)</li> </ul>
Clock	<ul style="list-style-type: none"> <li>• RTC embedded (Back up with battery)</li> </ul>	<ul style="list-style-type: none"> <li>• RTC embedded (Back up with battery)</li> </ul>	<ul style="list-style-type: none"> <li>• RTC embedded (Back up with battery)</li> </ul>	<ul style="list-style-type: none"> <li>• RTC embedded (Back up with battery)</li> </ul>
Other LED	<ul style="list-style-type: none"> <li>• Alarm</li> </ul>	<ul style="list-style-type: none"> <li>• Alarm</li> </ul>	<ul style="list-style-type: none"> <li>• Run, Alarm, Self diagnosis, Communication</li> </ul>	<ul style="list-style-type: none"> <li>• Run, Alarm, Self diagnosis, Communication</li> </ul>
Operating button	<ul style="list-style-type: none"> <li>• Reset button</li> </ul>	<ul style="list-style-type: none"> <li>• Reset/Menu/Tap/Up, Down/Enter</li> </ul>	<ul style="list-style-type: none"> <li>• Reset button</li> <li>• LCD Touch</li> </ul>	<ul style="list-style-type: none"> <li>• Reset button</li> <li>• LCD Touch</li> </ul>
	LED	-	-	<ul style="list-style-type: none"> <li>• RUN/AL LED blinking (Red ↔ Blue blinking)</li> </ul>
	LCD	-	-	<ul style="list-style-type: none"> <li>• Can check at self diagnosis screen on LCD</li> </ul>
Self diagnosis	List	<ul style="list-style-type: none"> <li>• Battery Low Alarm: Occurs when internal battery is not inserted or battery voltage is low.</li> <li>• MTD Fail (Wiring check): OCR is not assembled with MTD or Trip coil is disconnected.</li> </ul>	<ul style="list-style-type: none"> <li>• Battery Low Alarm: Occurs when internal battery is not inserted or battery voltage is low.</li> <li>• Rating Plug Unmatched or Error: Rating Plug is not assembled or there's error with Rating Plug.</li> <li>• Ampere Frame Error: Value of Rating Plug is not within 45 ~ 100% of AF.</li> <li>• MTD Fail (Wiring check): STU is not assembled with MTD or Trip coil is disconnected.</li> <li>• Factory Cfg Error: Factory mode setting is wrong.</li> <li>• Device Type Error: Rating Plug information is different from CT information.</li> <li>• Over Heat Error: Internal temperature of CPU is over 100 degree (N/A type) or 115 degree (P/S type)</li> <li>• Contact Wear Alarm: Contact wear rate is over 80%</li> <li>• Electrical Open Count Over Alarm: Electrical Open Count is over the tolerable degree of 80%.</li> <li>• Mechanical Open Count Over Alarm: Mechanical Open Count is over the tolerable degree of 80%</li> <li>• RTC Error: There's error at internal RTC information.</li> <li>• Memory Error: Duplicated internal setting saved at internal nonvolatile memory was damaged.</li> <li>• CT disconnection Error: CT disconnection occurred (Each phase is monitored).</li> </ul>	

\* Each OCR type has battery in itself

1. Battery lifespan

1) When turned off: 14~28 years

2) When using 1 LED consecutively or turned off: 7~14days

2. Minimum current display range

1) A-type: When more 15% than rated current(In)

2) P/S type: When more 1% than rated current(In)

\* L/S/I/G(or EL) configuration as standard only.

(Unable to select ground fault and earth leakage, simultaneously)

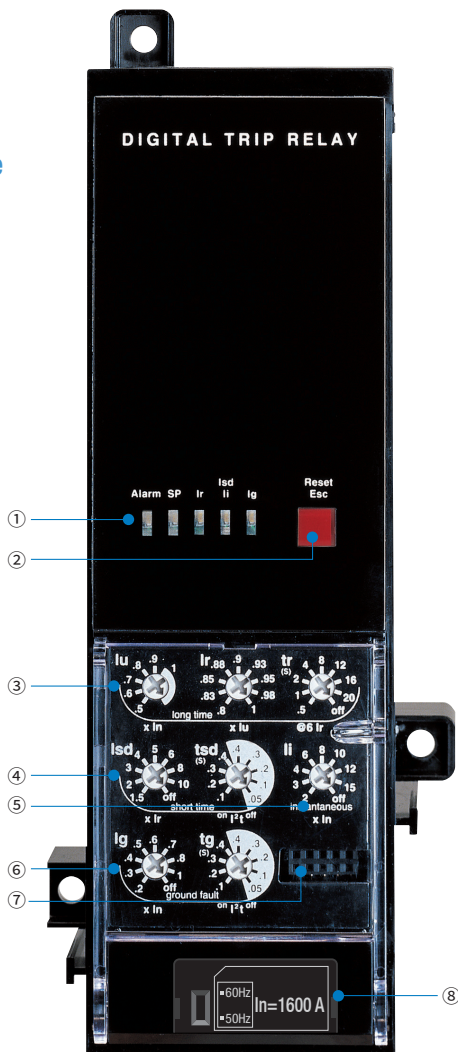
# Trip relays

## N type: 「Normal」 type

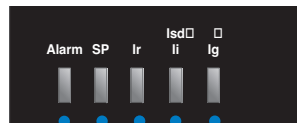
### Characteristic

- Overload protection
  - Long-time delay
- Short-circuit protection
  - Short-time delay / Instantaneous
  - I<sup>2</sup>t On/Off optional (for short-time delay)
- Ground fault protection
  - I<sup>2</sup>t On/Off optional
- Self-Power

### Product appearance and structure



① LED: Indication of trip info. and overload state



- Ig: LED indicating ground-fault
- Isd/Ii: LED indicating short-time or instantaneous tripping
- Ir: LED indicating long-time delay
- SP: Self-protection and battery test LED
- Alarm: LED indicating an overload (Turn on above 90%, Blink above 105%)

② Reset Key: Fault reset or battery check

③ I<sub>l</sub>, I<sub>r</sub>: Long-time current setting, t<sub>r</sub>: Long-time tripping delay setting

④ I<sub>sd</sub>: Short-time current setting, t<sub>sd</sub>: Short-time tripping delay setting

⑤ I<sub>i</sub>: Instantaneous current setting

⑥ I<sub>g</sub>: Ground fault current setting, t<sub>g</sub>: Ground fault tripping delay setting

⑦ Test terminal: OCR test terminal (Connected with OCR tester)

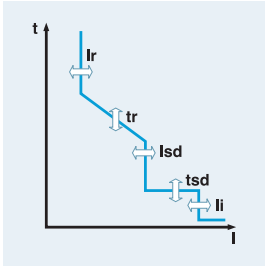
⑧ Rating plug

- Rated current setting (45~100% of the AF)

- Frequency selectable(60Hz/50Hz)



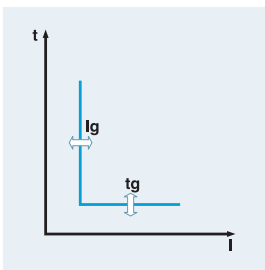
## Protection



Long time										
Current setting (A)	$I_u = I_n \times \dots$	0.5	0.6	0.7	0.8	0.9	1.0			
	$I_r = I_u \times \dots$	0.8	0.83	0.85	0.88	0.9	0.93	0.95	0.98	1.0
Time delay (s)	$t_r @ (1.5 \times I_r)$	12.5	25	50	100	200	300	400	500	Off
Accuracy: $\pm 15\%$ or below 100ms	$t_r @ (6.0 \times I_r)$	0.5	1	2	4	8	12	16	20	Off
	$t_r @ (7.2 \times I_r)$	0.34	0.69	1.38	2.7	5.5	8.3	11	13.8	Off

Short time											
Current setting (A)	$I_{sd} = I_r \times \dots$	1.5	2	3	4	5	6	8	10	Off	
Time delay (s)	tsd	$I^2t$ Off	0.05	0.1	0.2	0.3	0.4				
		$I^2t$ On @ $(10 \times I_r)$	0.1	0.2	0.3	0.4					
Accuracy: $\pm 15\%$ or below 50ms	$(I^2t$ Off)	Min. Trip Time(ms)	20	80	160	260	360				
		Max. Trip Time(ms)	80	140	240	340	440				

Instantaneous										
Current setting (A)	$I_i = I_n \times \dots$	2	3	4	6	8	10	12	15	Off
Tripping time		below 50ms								



Ground fault											
Pick-up (A)	$I_g = I_n \times \dots$	0.2	0.3	0.4	0.5	0.6	0.7	0.8	1.0	Off	
Time delay (s)	tg	$I^2t$ Off	0.05	0.1	0.2	0.3	0.4				
		$I^2t$ On @ $(10 \times I_r)$	0.1	0.2	0.3	0.4					
Accuracy: $\pm 10\%$ ( $I_g \geq 0.4 I_n$ ) $\pm 20\%$ ( $I_g < 0.4 I_n$ ) or below 50ms	$(I^2t$ Off)	Min. Trip Time(ms)	20	80	160	260	360				
		Max. Trip Time(ms)	80	140	240	340	440				

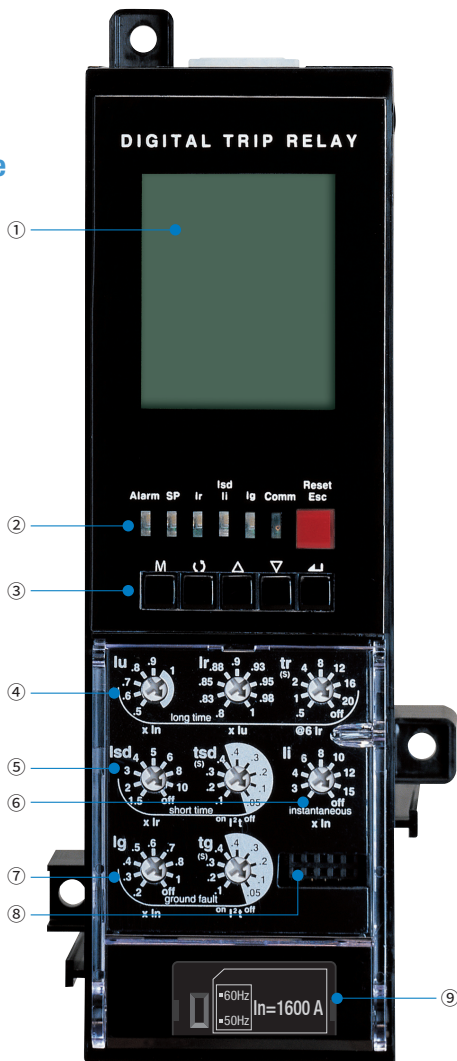
# Trip relays

## A type: 「Ammeter」 type

### Characteristic

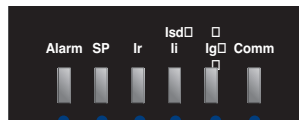
- Overload protection
  - Long-time delay
- Short-circuit protection
  - Short-time delay/Instantaneous
  - I<sup>2</sup>t On/Off optional (for short-time delay)
- Ground fault protection
  - I<sup>2</sup>t On / Off optional
  - Trip / Alarm selectable (need external power)
  - Blocking Time (0~60s)
  - Does not detect ground fault during Blocking time.
- Realization of protective coordination by ZSI (Zone Selective Interlocking)
  - Disable / Enable Selectable
- Measurement and Display Function
  - High detailed measurement for current
  - character LCD type
- Fault recording
  - Records Max. up to 10 fault information about fault type, fault phase, fault data, occurrence time of fault
- SBO (Select Before Operation)
  - High reliability for control and setting change method
- 3 DO(Digital Output)
  - Fixed
- Communication
  - Modbus/RS485
  - Profibus-DP (need TRIO)
- ERMS
  - Arc Flash Reduction
  - Instantaneous setting value is minimized. (2\*In)

### Product appearance and structure



① LCD: Indication of measurement and information

② LED: Indication of trip info. and overload state



- Comm: LED indicating comm. state (Blink when running)\*
- Ig: LED indicating ground-fault
- Isd/Ii: LED indicating short-time or instantaneous tripping
- Ir: LED indicating long-time delay
- SP: Self-protection and battery test LED
- Alarm: LED indicating an overload (Turn on above 90%, Blink above 105%)

③ Key: Move to menu or reset

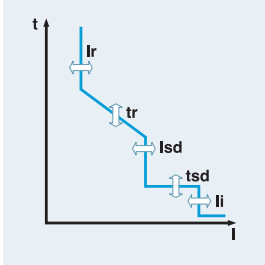


- Reset/ESC: Fault reset or ESC from menu
- Enter: Enter into secondary menu or setting input
- Up/Down: Move the cursor up/down on screen or increase/decrease a setting value
- Tap: Move setting item / Fix screen
- Menu: Menu display ↔ Measurement display

- ④ Iu, Ir: Long-time current setting, tr: Long-time tripping delay setting
- ⑤ Isd: Short-time current setting, tsd: Short-time tripping delay setting
- ⑥ Ii: Instantaneous current setting
- ⑦ Ig: Ground fault current setting, tg: Ground fault tripping delay setting
- ⑧ Test terminal: OCR test terminal (Connected with OCR tester)
- ⑨ Rating plug
  - Rated current setting (45~100% of the AF)
  - Frequency selectable(60Hz/50Hz)

\* The phone icon is displayed during the communication.

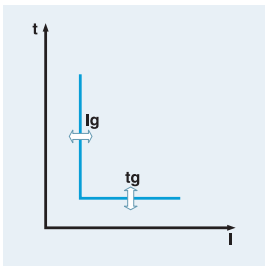
## Protection



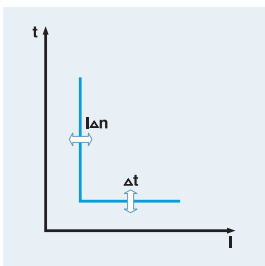
Long time											
Current setting (A)	$I_u = I_n \times \dots$	0.5	0.6	0.7	0.8	0.9	1.0				
	$I_r = I_u \times \dots$	0.8	0.83	0.85	0.88	0.9	0.93	0.95	0.98	1.0	
Time delay (s)	$t_r @ (1.5 \times I_r)$	12.5	25	50	100	200	300	400	500	Off	
Accuracy: $\pm 15\%$ or below 100ms	$t_r @ (6.0 \times I_r)$	0.5	1	2	4	8	12	16	20	Off	
	$t_r @ (7.2 \times I_r)$	0.34	0.69	1.38	2.7	5.5	8.3	11	13.8	Off	

Short time											
Current setting (A)	$I_{sd} = I_r \times \dots$	1.5	2	3	4	5	6	8	10	Off	
Time delay (s)	tsd	$I^2t$ Off	0.05	0.1	0.2	0.3	0.4				
		$I^2t$ On @ $(10 \times I_r)$	0.1	0.2	0.3	0.4					
Accuracy: $\pm 15\%$ or below 50ms	$(I^2t$ Off)	Min. Trip Time(ms)	20	80	160	260	360				
		Max. Trip Time(ms)	80	140	240	340	440				

Instantaneous										
Current setting (A)	$I_i = I_n \times \dots$	2	3	4	6	8	10	12	15	Off
Tripping time		below 50ms								



Ground fault											
Pick-up (A)	$I_g = I_n \times \dots$	0.2	0.3	0.4	0.5	0.6	0.7	0.8	1.0	Off	
Time delay (s)	tg	$I^2t$ Off	0.05	0.1	0.2	0.3	0.4				
		$I^2t$ On @ $(10 \times I_r)$	0.1	0.2	0.3	0.4					
Accuracy: $\pm 10\%$ ( $I_g \geq 0.4 I_n$ ) $\pm 20\%$ ( $I_g < 0.4 I_n$ ) or below 50ms	$(I^2t$ Off)	Min. Trip Time(ms)	20	80	160	260	360				
		Max. Trip Time(ms)	80	140	240	340	440				



Earth leakage (Option)										
Current setting (A)	$I \Delta n$	0.5	1	2	3	5	10	20	30	Off
Time delay (ms)	Alarm	140	230	350	800	950				
	Trip	140	230	350	800					
Accuracy: $\pm 15\%$	$\Delta t$									

Note) Unable to select ground fault and earth leakage, simultaneously

# Trip relays

## P type: 「Power meter」 type

### Characteristic

- Overload protection
  - Long-time delay/Long-time delay neutral
  - Thermal(Hot/Cold) - IDMTL (DT,SIT,VIT,EIT,EIT50)
- Short-circuit protection
  - Short-time delay/Instantaneous
  - Pt On/Off optional (for short-time delay)
- Ground fault protection
  - Pt On/Off optional
- Earth Leakage
  - Applied to use External CT or Private ZCT
  - Available to select Alarm/Trip
- Protection for Over Voltage/Under Voltage/Over Frequency/Under Frequency/Unbalance/Reverse Power
- Voltage & Current Quality measurement
  - 1<sup>st</sup> ~ 63<sup>rd</sup> Voltage/Current/harmonic measurement
  - THD of Voltage/Current, TDD/K-factor of Current
- Start-up function
  - Select S/I/G/Gext
  - Set the start-up current and time
- Realization of protective coordination by ZSI (Zone Selective Interlocking)
- Fine-adjustable setting by knob and key
- ERMS(Energy Reduction Maintenance Setting)
  - To secure safety for electric technician or site operator by reducing ARC Energy.
- Measurement and Display Function
  - 3 phase Current/Voltage/Power/Energy/Phase Angle/ Frequency/PF/Demand
  - Indicates Current/voltage Vector Diagram
  - Real-time Oscilloscope Waveform
- Fault recording
  - Records 127ea of fault event information (Fault type, Phase, Value, Current and time)
- Event recording
  - Records events of device related to setting change, operation and state changes up to 256ea
- 3.5 inches Graphic touch LCD
- 3 DO(Digital output)
- Self power
  - Operates when it is higher than 50% of rated current by single phase load
- Communication
  - Modbus/RS485 - USB - BLE(Bluetooth, Option)
- Self diagnosis
  - Battery Low Alarm/Rating Plug
  - Ampere Frame Error/MTD Fail
  - Device Type/Over Heat/Contact Wear
  - Mechanical/Electrical Open Count Over Alarm
  - RTC/Memory/CT disconnection
  - Factory mode state

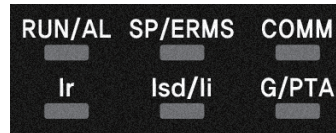
### Product appearance and structure



① 3.5 inch graphic LCD (touch): Displaying information of measurement or status

② BLE: Indicating bluetooth function

③ LED: Indicating information of status or measurement



1) RUN/AL

- RUN: Indicating the operation(Blinking blue LED during turn on)
- AL: Indicating an overload(Turn on above 90%, Blink above 105%)
- Self diagnose error: Blinking blue and red LED

2) SP/ERMS

- Override/MCR operation: Red LED
- ERMS operation: Blue LED

3) COMM: Communication display LED(green)

4) Ir: LED Display for long-time over current relay operation

5) Isd/li: LED Display for short-time/INSTANTANEOUS OVER CURRENT Relay Operation

6) G/PTA: LED displaying operation for Ground/Leakage fault protection relay, PTA

④ Reset/Esc Key: Fault/LED reset, Return to menu, Battery test

⑤ Ir: Long-time current setting, tr: Long-time tripping delay setting

⑥ li: Instantaneous current setting

⑦ Isd: Short-time current setting, tsd: Short-time tripping delay setting

⑧ Rating plug

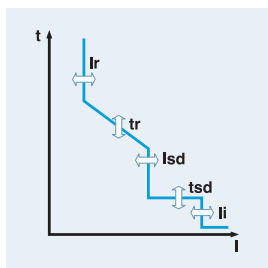
⑨ Battery

⑩ Override setting: DIP switches for override setting

⑪ USB connection terminal (Mini B type)

⑫ TEST : Connected with IPOT(TESTER)





### Protection

Long time	Tolerance	Setting										
Operating value		$I_r = I_n \times \dots$	0.4	0.5	0.6	0.7	0.8	0.9	1.0			
Operating time (ms) ±10% ( $I_r < 6I_n$ ), ±20% ( $I_r \geq 6I_n$ ), or Largest of ±40ms		$t_r @ (1.5 \times I_r)$	12.5	25	50	100	200	300	400	500	Off	
		$t_r @ (6.0 \times I_r)$	0.5	1	2	4	8	12	16	20	Off	
		$t_r @ (7.2 \times I_r)$	0.34	0.69	1.38	2.7	5.5	8.3	11	13.8	Off	

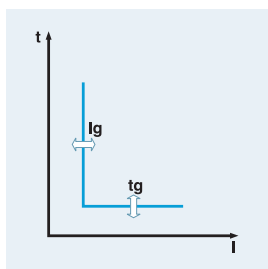
Note) 1. See manual for checking IDTML and equations. 2. Time tolerance should add +40ms for L/S/I/G, if power does not supply to the trip unit.  
3. Threshold(A) value can be adjusted in 1A by touch LCD.

Short time	Tolerance	Setting										
Operating value: ±10%		$s_d = I_r \times \dots$	1.5	2	3	4	5	6	8	10	Off	
Operating time (ms) Accuracy I <sup>2</sup> t On: ±15% ( $I_s \leq 6I_n$ ), Accuracy I <sup>2</sup> t Off: ±15% or Largest of ±40ms, ±20% ( $I_s > 6I_n$ ), or Largest of ±40ms		I <sup>2</sup> t Off	0.05	0.1	0.2	0.3	0.4					
		I <sup>2</sup> t On@( $10 \times I_r$ )	0.1	0.2	0.3	0.4						
		Min. Trip Time (ms)	20	80	160	260	360					
		Max. Trip Time (ms)	80	140	240	340	440					
ZSI		ZSI Time (s)	0.04 ~ 0.2 (0.01s steps), OFF									
Start up		Pick up (A)	Above $1.2 \times I_{sd}$ (10A steps)									
		Time delay (s)	0.1 ~ 30 (0.01s steps), OFF									

Note) Threshold(A) value can be adjusted in 1A by touch LCD.

Instantaneous	Tolerance	Setting										
Operating value: ±10%		$I_i = I_n \times \dots$	2	3	4	6	8	10	12	15	Off	
Operating time (ms): ±10% or Largest of ±40ms			Under 50ms									
Start up		Pick up (A)	Above $1.2 \times I_{sd}$ (10A steps)									
		Time delay (s)	0.1 ~ 30 (0.01s steps), OFF									

Note) Threshold(A) value can be adjusted in 1A by touch LCD.



Ground fault	Tolerance	Setting										
Operating value: ±10%		$I_g = I_n \times \dots$	0.2 ~ 1.0 (1A steps), OFF									
Operating time (ms) Accuracy I <sup>2</sup> t Off: ±10% or Largest of ±40ms Accuracy I <sup>2</sup> t On: ±15% or Largest of ±40ms		tg	I <sup>2</sup> t can choose On/Off 0.05 ~ 3.0 (0.01s steps)									
		ZSI Time (s)	0.04 ~ 0.2 (0.01s steps), OFF									
Start up		Pick up (A)	Above $1.2 \times I_{sd}$ (10A steps)									
		Time delay (s)	0.1 ~ 30 (0.01s steps), OFF									

Note) 1. Ig cannot adjust over 1200A. 2. Time tolerance should add +20ms for relaying if power does not supply to the trip unit. 3. Ground fault should be adjusted by touch LCD.

Earth leakage(option)	Tolerance	Setting										
Operating value: ±10%		$I_{\Delta n}$	0.1 ~ 30 (1A steps), OFF									
Operating time (ms) When accuracy = I <sup>2</sup> t Off CT = 5A - Over 2A: Tolerance is 10% or 40ms - Under 2A: Tolerance is 20% or 40ms CT = 30A - Over 5A: Tolerance is 10% or 40ms - Under 5A: Tolerance is 20% or 40ms When accuracy = I <sup>2</sup> t On - Choose largest value between ±25% or ±40ms		t $\Delta n$	I <sup>2</sup> t can choose On/Off 0.1 ~ 1.0 (0.01s steps)									
		ZSI Time (s)	0.04 ~ 0.2 (0.01s steps), OFF									
	Start up		Pick up (A)	Above $1.2 \times I_{sd}$ (0.1A steps)								
			Time delay (s)	0.1 ~ 30 (0.01s steps), OFF								

Note) 1. It is impossible to use both ground fault and earth leakage at same time. 2. CT accuracy can be changed by applying CT. 3. Earth leakage should be adjusted by touch LCD.

PTA(Pre Trip Alarm)	Tolerance	Setting										
Operating value: ±5%		$I_p = I_r \times \dots$	0.6 ~ 1.0 (1A steps), OFF									
Operating time (ms) ±10% ( $I_p < 1.2I_n$ ), ±20% ( $I_p \geq 1.2I_n$ ), or Largest of ±40ms		tp@( $1.2 \times I_p$ )	I <sup>2</sup> t can choose On/Off tp = 1 ~ 45 (0.01s steps)									

Note) PTA should be adjusted by touch LCD.

Protection	Setting rage		Step	Tolerance (Operating value)	Setting rage	Step	Tolerance (Operating time)
Under voltage	Y-connection	$(0.5 \sim 0.98) \times V_n / \sqrt{3}$	0.1V	±5% (> 100V) ±10% (≤ 100V)	0.1 ~ 120 s, OFF	0.01 s	Choose target value: ±10% or ±40ms
	D-connection	$0.5 \sim 0.98 \times V_n$					
Over voltage	Y-connection	$(1.02 \sim 1.5) \times V_n / \sqrt{3}$	1%	Choose target value: Operating value ±10% or abs of operating value ±2%	0.2 ~ 120 s, OFF	0.01 s	Choose target value: ±30% or ±300ms
	D-connection	$1.02 \sim 1.5 \times V_n$					
Current unbalance	5 ~ 90%		1%	Choose target value: ±20% or 300 mHz/s	0.5 ~ 10 s, OFF	0.01 s	Choose target value: ±20% or ±200ms
Voltage unbalance	5 ~ 90%		1%				
Under frequency	12 ~ 150		1Hz	±5%	0.2 ~ 120 s, OFF	0.01 s	
Over frequency	20 ~ 200		1Hz	±5%	0.2 ~ 120 s, OFF	0.01 s	
Rate of change of frequency	0.4 ~ 10		0.01 Hz /s	Choose target value: ±20% or 300 mHz/s	0.5 ~ 10 s, OFF	0.01 s	Choose target value: ±30% or ±300ms
Reverse power/ Reactive power relay	$V_n \times I_n \times 0.1 / \sqrt{3}$ ~ $V_n \times I_n \times 1.2 \times \sqrt{3}$		1W	±10% (> 0.2In) ±20% (≤ 0.2In)	0.5 ~ 100 s, OFF	0.01 s	Choose target value: ±20% or ±200ms
Over power/ Reactive power relay	$V_n \times I_n \times 0.1 / \sqrt{3}$ ~ $V_n \times I_n \times 1.2 \times \sqrt{3}$						
Under power/ Reactive power relay	$V_n \times I_n \times 0.1 / \sqrt{3}$ ~ $V_n \times I_n \times 0.9 \times \sqrt{3}$		1W	±10%	0.5 ~ 100 s, OFF	0.01 s	Choose target value: ±20% or ±200ms

# Trip relays

## S type: 「Supreme meter」 type

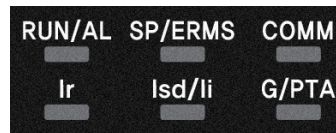
### Characteristic

- Overload protection
  - Long-time delay/Long-time delay neutral
  - Thermal(Hot/Cold) - IDMTL (DT,SIT,VIT,EIT,EIT50)
- Short-circuit protection
  - Short-time delay/Instantaneous
  - I<sup>2</sup>t On/Off optional (for short-time delay)
- Ground fault protection
  - I<sup>2</sup>t On/Off optional
- Earth Leakage
  - Applied to use External CT or Private ZCT
  - Available to select Alarm/Trip
- Protection for Over Voltage/Under Voltage/Over Frequency/Under Frequency/Unbalance/Reverse Power
- Voltage & Current Quality measurement
  - 1<sup>st</sup> ~ 63<sup>rd</sup> voltage/current/harmonic measurement
  - THD of Voltage/Current, TDD/K-factor of Current
- Group Control(A/B)
  - Available to control the various condition such as parallel feeder
- Start-up function
  - Select S/I/G/Gext
  - Set the start-up current and time
- Realization of protective coordination by ZSI (Zone Selective Interlocking)
- Fine-adjustable setting by knob and HMI
- ERMS(Energy Reduction Maintenance Setting)
  - To secure safety for electric technician or site operator by reducing ARC Energy.
- Measurement and Display Function
  - 3 phase Current/Voltage/Power/Energy/Phase Angle/Frequency/PF/Demand
  - Indicates Current/voltage Vector Diagram
  - Real-time Oscilloscope Waveform
- Fault recording
  - Records 127ea of fault event information (Fault type, Phase, Value, Current and time)
- Event recording
  - Records events of device related to setting change, operation and state changes up to 256ea
- 3.5 inches Graphic touch LCD
- 3 DO(Digital output)
- Self power
  - Operates when it is higher than 50% of rated current by single phase load
- Communication
  - Modbus/RS485 - USB - BLE(Bluetooth, Option)
- Self diagnosis
  - Battery Low Alarm/Rating Plug - Ampere Frame Error/MTD Fail
  - Device Type/Over Heat/Contact Wear
  - Mechanical/Electrical Open Count Over Alarm
  - RTC/Memory/CT disconnection
  - Factory mode state

### Product appearance and structure

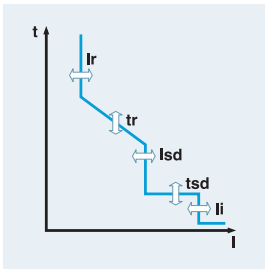


- ① NFC: Indicating NFC contact position
- ② 3.5 inch graphic LCD (touch): Displaying information of measurement or status
- ③ LED: Indicating information of status or measurement



- 1) RUN/AL
  - RUN: Indicating the operation(Blinking blue LED during turn on)
  - AL: Indicating an overload(Turn on above 90%, Blink above 105%)
  - Self diagnose error: Blinking blue and red LED
- 2) SP/ERMS
  - Override/MCR operation: Red LED
  - ERMS operation: Blue LED
- 3) COMM: Communication display LED(green)
- 4) Ir: LED Display for long-time over current relay operation
- 5) I<sub>sd</sub>/I<sub>i</sub>: LED Display for short-time/INSTANTANEOUS OVER CURRENT Relay Operation
- 6) G/PTA: LED displaying operation for Ground/Leakage fault protection relay, PTA

- ④ Reset/ESC Key: Fault/LED reset, Return to menu, Battery test
- ⑤ BLE: Indicating bluetooth function
- ⑥ Rating plug
- ⑦ Battery
- ⑧ Override setting: DIP switches for override setting
- ⑨ USB connection terminal (Mini B type)
- ⑩ TEST : Connected with IPOT(TESTER)



### Protection

Long time	Tolerance	Setting	
Operating value		$I_r = I_u \times \dots$	0.4 ~ 1.0 (1A steps), OFF
Operating time (ms) ±10% ( $I_r < 6I_n$ ), ±20% ( $I_r \geq 6I_n$ ), or Largest of ±40ms		$t_r @ (1.5 \times I_r)$	0.5 ~ 24 (0.01s steps)

Note) 1. See manual for checking IDTML and equations. 2. Time tolerance should add +40ms for L/S/I/G, if power does not supply to the trip unit.  
3. S-Type should be adjusted by touch LCD.

Short time	Tolerance	Setting	
Operating value: ±10%		$I_{sd} = I_r \times \dots$	1.5 ~ 10 (1A steps), OFF
Operating time (ms) Accuracy I <sub>t</sub> On: ±15% ( $I_s \leq 6I_n$ ), Accuracy I <sub>t</sub> Off: ±15% or Largest of ±40ms, ±20% ( $I_s > 6I_n$ ), or Largest of ±40ms		$t_{sd}$	I <sub>t</sub> can choose On/Off 0.05 ~ 0.8 (0.01s steps)
ZSI		ZSI Time (s)	0.04 ~ 0.2 (0.01s steps), OFF
Start up		Pick up (A)	Above 1.2 × I <sub>sd</sub> (10A steps)
		Time delay (s)	0.1 ~ 30 (0.01s steps), OFF

Instantaneous	Tolerance	Setting	
Operating value: ±10%		$I_i = I_n \times \dots$	2 ~ 16 (10A steps), OFF
Operating time (ms): ±10% or Largest of ±40ms			Under 50ms
Start up		Pick up (A)	Above 1.2 × I <sub>sd</sub> (10A steps)
Time delay tolerance		Time delay (s)	0.1 ~ 30 (0.01s steps), OFF

Ground fault	Tolerance	Setting	
Operating value: ±10%		$I_g = I_n \times \dots$	0.2 ~ 1.0 (1A steps), OFF
Operating time (ms) Accuracy I <sub>t</sub> Off: ±10% or Largest of ±40ms Accuracy I <sub>t</sub> On: ±15% or Largest of ±40ms		$t_g$	I <sub>t</sub> can choose On/Off 0.05 ~ 3.0 (0.01s steps)
ZSI		ZSI Time (s)	0.04 ~ 0.2 (0.01s steps), OFF
Start up		Pick up (A)	Above 1.2 × I <sub>sd</sub> (10A steps)
		Time delay (s)	0.1 ~ 30 (0.01s steps), OFF

Note) 1. I<sub>g</sub> cannot adjust over 1200A 2. Time tolerance should add +20ms for relaying if power does not supply to the trip unit. 3. Ground fault should be adjusted by touch LCD.

Earth leakage(option)	Tolerance	Setting	
Operating value: ±10%		$I_{\Delta n}$	0.1 ~ 30 (1A steps), OFF
Operating time (ms) When accuracy = I <sub>t</sub> Off CT = 5A - Over 2A: Tolerance is 10% or 40ms - Under 2A: Tolerance is 20% or 40ms CT = 30A - Over 5A: Tolerance is 10% or 40ms - Under 5A: Tolerance is 20% or 40ms When accuracy = I <sub>t</sub> On - Choose largest value between ±25% or ±40ms		$t_{\Delta n}$	I <sub>t</sub> can choose On/Off 0.1 ~ 1.0 (0.01s steps)
ZSI		ZSI Time (s)	0.04 ~ 0.2 (0.01s steps), OFF
Start up		Pick up (A)	Above 1.2 × I <sub>Δn</sub> (0.1A steps)
		Time delay (s)	0.1 ~ 30 (0.01s steps), OFF

Note) 1. It is impossible to use both ground fault and earth leakage at same time. 2. CT accuracy can be changed by applying CT. 3. Earth leakage should be adjusted by touch LCD.

PTA(Pre Trip Alarm)	Tolerance	Setting	
Operating value: ±5%		$I_p = I_r \times \dots$	0.6 ~ 1.0 (1A steps), OFF
Operating time (ms) ±10% ( $I_p < 1.2I_n$ ), ±20% ( $I_p \geq 1.2I_n$ ), or Largest of ±40ms		$t_p @ (1.2 \times I_p)$	I <sub>t</sub> can choose On/Off $t_p = 1 \sim 45$ (0.01s steps)

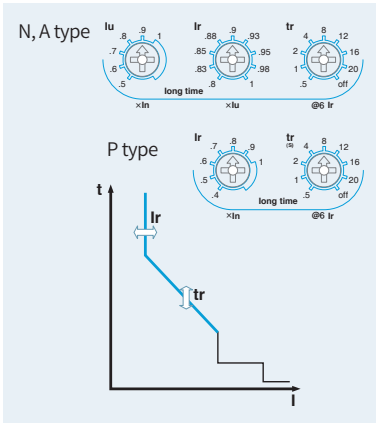
Note) PTA should be adjusted by touch LCD.

Protection	Setting rage	Step	Tolerance (Operating value)	Setting rage	Step	Tolerance (Operating time)
Under voltage	Y-connection	0.1V	±5% (> 100V) ±10% (≤ 100V)	0.1 ~ 120 s, OFF	0.01 s	Choose target value: ±10% or ±40ms
	D-connection					
Over voltage	Y-connection	1%	Choose target value: Operating value ±10% or abs of operating value ±2%	0.2 ~ 120 s, OFF	0.01 s	Choose target value: ±10% or ±40ms
	D-connection					
Current unbalance	5 ~ 90%	1Hz	±5%	0.2 ~ 120 s, OFF	0.01 s	Choose target value: ±30% or ±300ms
Voltage unbalance	5 ~ 90%	0.01Hz /s	Choose target value: ±20% or 300 mHz/s	0.5 ~ 10 s, OFF	0.01 s	Choose target value: ±30% or ±300ms
Under frequency	12 ~ 150	1W	±10% (> 0.2In) ±20% (≤ 0.2In)	0.5 ~ 100 s, OFF	0.01 s	Choose target value: ±20% or ±200ms
Over frequency	20 ~ 200					
Reverse power/ Reactive power relay	$V_n \times I_n \times 0.1 / \sqrt{3} \sim V_n \times I_n \times 1.2 \times \sqrt{3}$	±10%	±10%	0.5 ~ 100 s, OFF	0.01 s	Choose target value: ±20% or ±200ms
Over power/ Reactive power relay	$V_n \times I_n \times 0.1 / \sqrt{3} \sim V_n \times I_n \times 1.2 \times \sqrt{3}$					
Under power/ Reactive power relay	$V_n \times I_n \times 0.1 / \sqrt{3} \sim V_n \times I_n \times 0.9 \times \sqrt{3}$	±10%	±10%	0.5 ~ 100 s, OFF	0.01 s	Choose target value: ±20% or ±200ms

# Trip relays

## Operation characteristics

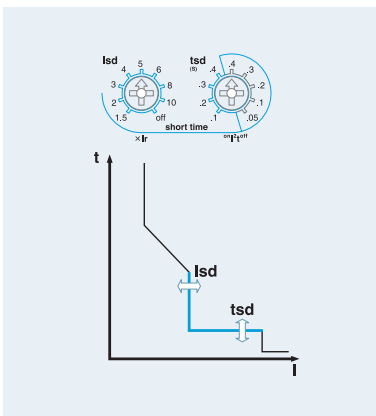
### Long-time delay (L)



**The function for overload protection which has time delayed characteristic in inverse ratio to fault current.**

- Standard current setting knob:  $l_r$  \*The S type STU is set on HMI (No knob exist).
  - Setting range in P type and S type:  $(0.4-0.5-0.6-0.7-0.8-0.9-1.0) \times I_n$
  - Setting range in N type and A type:  $(0.4 \sim 1.0) \times I_n$ 
    - $l_u$ :  $(0.5-0.6-0.7-0.8-0.9-1.0) \times I_n$
    - $l_r$ :  $(0.8-0.83-0.85-0.88-0.9-0.93-0.95-0.98-1.0) \times I_n$
- Time delay setting knob:  $t_r$  \*The S type STU is set on HMI (No knob exist).
  - Standard operating time is based on the time of  $6 \times I_r$
  - Setting range: 0.5-1-2-4-8-12-16-20-Off sec
- Relay pick-up current
  - When current over  $(1.15) \times I_r$  flows in, relay is picked up.
- Relay operates basing on the largest load current among R/S/T/N phase.

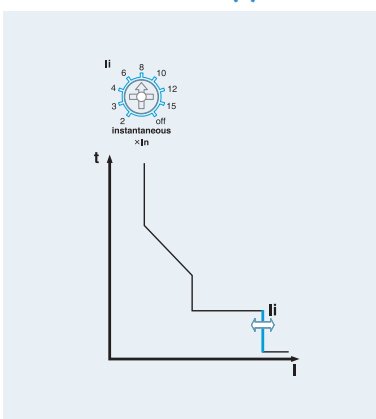
### Short-time delay (S)



**The function for fault current (over current) protection which has definite time characteristic and time delayed in inverse ratio to fault current.**

- Standard current setting knob:  $I_{sd}$  \*The S type STU is set on HMI (No knob exist).
  - Setting range:  $(1.5-2-3-4-5-6-8-10-Off) \times I_r$
- Time delay setting knob:  $t_{sd}$  \*The S type STU is set on HMI (No knob exist).
  - Standard operating time is based on the time of  $10 \times I_r$
  - Inverse time ( $I^2t$  On): 0.1-0.2-0.3-0.4 sec
  - Definite time ( $I^2t$  Off): 0.05-0.1-0.2-0.3-0.4 sec
- Relay operates basing on the largest load current among R/S/T/N phase.
- When ZSI function was set, the protection operation will take place instantaneously with input absence by downstream devices. It is advised to disable its ZSI function on the last downstream device.

### Instantaneous (I)

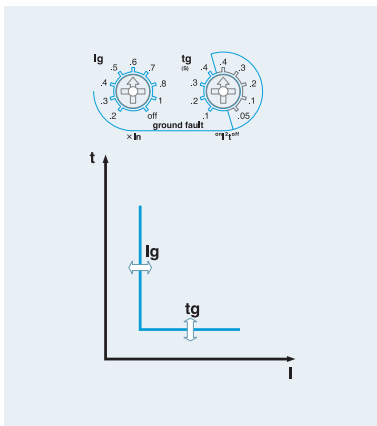


**The function for breaking fault current above the setting value within the shortest time to protect the circuit from short-circuit.**

- Standard current setting knob:  $I_i$  \*The S type STU is set on HMI (No knob exist).
  - N/A/P type setting range:  $(2-3-4-6-8-10-12-15-Off) \times I_n$
  - S type setting range:  $(2-16) \times I_n$
- Relay operates basing on the largest load current among R/S/T/N phase.
- Total breaking time is below 50ms.



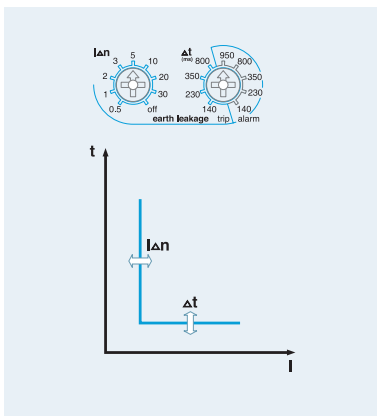
## Ground Fault (G)



**The function for breaking ground fault current above setting value after time-delay to protect the circuit from ground fault.**

- Standard setting current knob:  $I_g$  \*The P/S type is set on HMI (No knob exist).  
 - Setting range:  $(0.2-0.3-0.4-0.5-0.6-0.7-0.8-1.0-Off) \times I_n$
- Time delay setting knob:  $t_g$  \*The P/S type is set on HMI (No knob exist).  
 N/A type setting range  
 - Inverse time ( $I^2t$  On): 0.1-0.2-0.3-0.4 sec  
 - Definite time ( $I^2t$  Off): 0.05-0.1-0.2-0.3-0.4 sec  
 - P/S type setting range: 0.05 ~ 3.0 sec
- The fault current is the value detected by Vector sum of the current input as the R, S, T phase (3P) or the R, S, T, N (4P).
- When ZSI function was set, the protection operation will take place instantaneously with input absence by downstream devices. It is advised to disable its ZSI function on the last downstream device.

## Earth Leakage (G) - Option

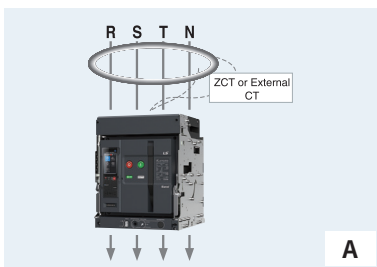


**The function for breaking earth leakage current above setting value after time delay to protect the circuit from earth leakage. (A, P, S type)**

- Standard setting current knob:  $I\Delta n$  \*The P/S type is set on HMI (No knob exist).  
 - A type setting range: 0.5-1-2-3-5-10-20-30-Off (A)  
 - P/S type setting range: 0.1 ~ 30
- Time delay setting knob:  $\Delta t$  \*The P/S type is set on HMI (No knob exist).  
 A type setting range  
 - Trip time: 140-230-350-800 ms      - Alarm time: 140-230-350-800-950 ms  
 P/S type setting range (Same as Trip/Alarm)  
 - Long-time: 0.1 ~ 1.0 sec      - Short-time: (0.1 ~ 1.0 sec)@30A
- Settings within its alarm range will prevent its breaker from tripping but activating its alarm.
- This function is enabled and can be used only with standard ZCT provided by LS or private external CT(secondary output 5A) selected by customers.
- When ZSI function was set, the protection operation will take place instantaneously with input absence by downstream devices. It is advised to disable its ZSI function on the last downstream device.

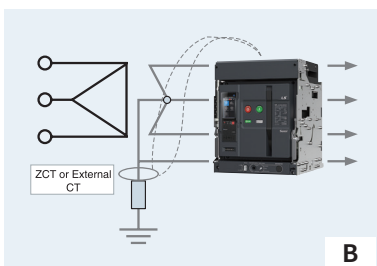
※ **Use cautions with earth-leakage current settings**

- When using a standard ZCT provided by LS, the setting range is from 0.5 to 30A which is based on its primary current. But ACB installed like A type (displayed on the left side) should only be cable-connected and its rated current should be less than 1600A.
- When using other CT selected by customers, the setting range is from 0.5 to 5A based on its secondary current.(Secondary output rating : 5A)  
 Hence, under 100:5A CT, if trip relay is set to 0.5A, earth-leakage exceeding 10A will activate its operation ( $0.5A \times 20 = 10A$ )



※ **Guideline for the external CT usage**

- Earth-leakage protection characteristics using the standard CT which is installed inside of ACB can protect currents from 20 to 100% range on its rated current.
- As rated currents on ACB increases, current that is covered by its standard CT increase as well. This can not protect against small leakage currents.  
 ex) 400A ACB Min. Earth-leakage current  $400A \times 20\% = 80A$   
 4000A ACB Min. Earth-leakage current  $4000A \times 20\% = 800A$
- Therefore, customers are advised to install an external CT in accordance with its rated currents within its systems. And choose trip relay(E, X type) which is required with external CT usage in order to provide earth-leakage functions.



## Measurement function

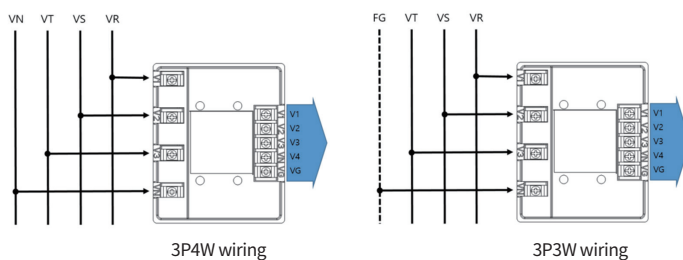
Division	Item	Arithmetic Operation	Type		Remark
			N/A	P/S (STU)	
Current	Ia, Ib, Ic, In	RMS	○	○	
Zero sequence current (internal)	3Io	DFT	○	○	Vector sum
Zero sequence current (external)	IΔn	RMS	○	○	
Colorie	%Q	-	-	○	
Phase voltage	Va, Vb, Vc	RMS	-	○	
Line - to - line voltage	Vab, Vbc, Vca	RMS	-	○	
Zero sequence voltage (internal)	3Vo	RMS	-	○	Vector sum
Power factor	PF	RMS	-	○	
Active power	P_total	RMS	-	○	
Reactive power	Q_total	RMS	-	○	
Apparent power	S_total	RMS	-	○	
Frequency	F	-	-	○	
Active energy	P TotWh	-	-	○	
Reactive energy	Q TotWh	-	-	○	
Reverse active energy	rP TotWh	-	-	○	
Reverse reactive energy	rQ TotVarh	-	-	○	
Positive/Negative sequence voltage	V1, V2	DFT	-	○	
Voltage unbalance	Vun	DFT	-	-	
Positive/Negative sequence current	I1, I2	DFT	○	○	
Current unbalance	Iun	DFT	-	○	
Phase voltage phase	∠Va, ∠Vb, ∠Vc	DFT	-	○	
Line to line voltage angle	∠Vab, ∠Vbc, ∠Vca	DFT	-	○	
Current phase	∠Ia, ∠Ib, ∠Ic	DFT	-	○	
Previous demand power	Demand W	-	-	○	
Previous demand current	Demand Ia, Ib, Ic	-	-	○	
THD	THD Va(Vab), THD Vb(Vbc), THD Vc(Vca), THD Ia, THD Ib, THD Ic	DFT	-	○	
TDD	TDD Ia, TDD Ib, TDD Ic	DFT	-	○	
K Factor	Kf Ia, Kf Ib, Kf Ic	DFT	-	○	
Voltage Harmonic Wave	HAR1 Va(Vab) ~ HAR63 Va(Vab) HAR1 Vb(Vab) ~ HAR63 Va(Vbc) HAR1 Vc(Vca) ~ HAR63 Vc(Vca)	DFT	-	○	
Current Harmonic Wave	HAR1 Ia ~ HAR63 Ia HAR1 Ib ~ HAR63 Ib HAR1 Ic ~ HAR63 Ic	DFT	-	○	

## Voltage Divide Module

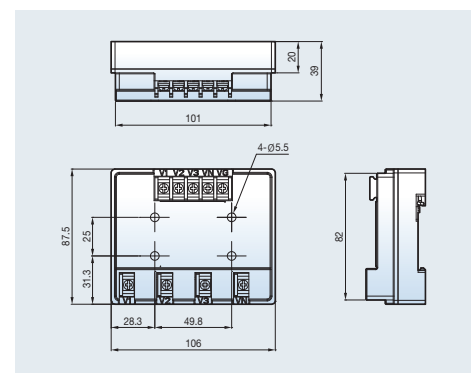
For P/S type trip relay, it is necessary to use voltage trip module for measuring the voltage at the load side of ACB.

Voltage input range

- Phase voltage: 35Vac ~ 973Vac
- Line voltage: 35Vac ~ 1635Vac



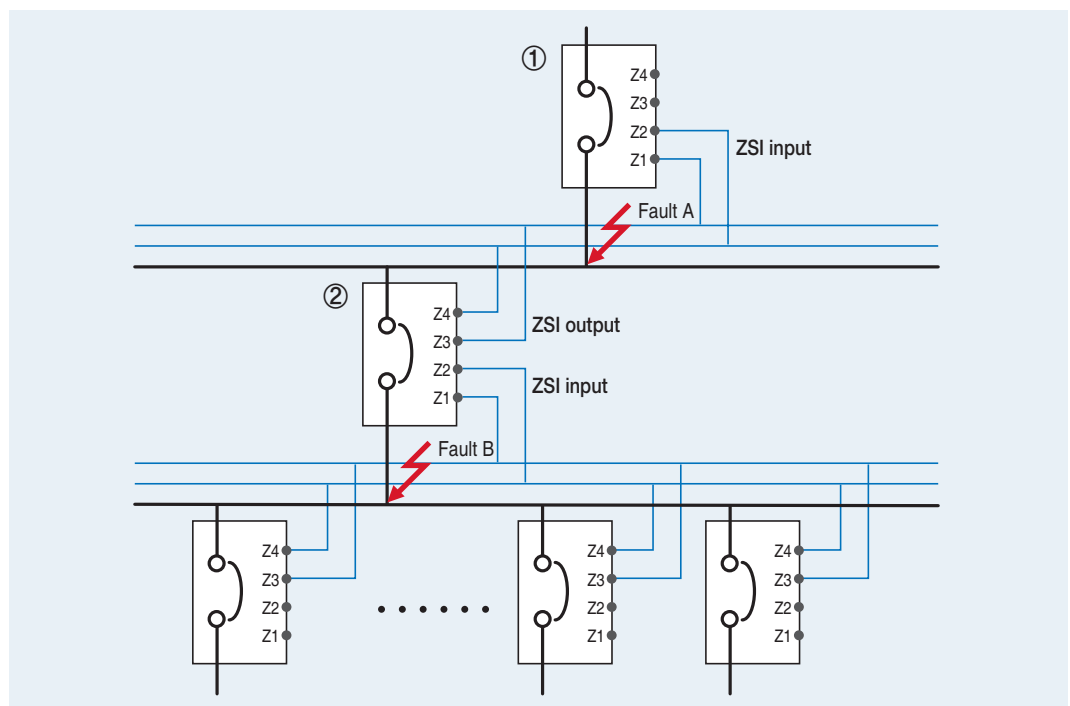
Item	Description	Feature	Remark
72313460708	TOTAL ASS'Y, VDM(Shield Cable), EXTERNAL, STU	Accessory	Separate purchasing



## ZSI - Zone Selective Interlocking (A, P, S type)

**Zone-selective interlocking drops delay time that eliminates faults for breakers. It minimizes the shock that all kinds of electric machineries get under fault conditions.**

1. In case of that short time-delay or ground fault accident occurs at ZSI built in system, the breaker at accident site sends ZSI signal to halt upstream breaker's operation.
2. To eliminate a breakdown, trip relay of ACB at accident site activates trip operation without time delay.
3. The upstream breaker that received ZSI signal adhere to pre-set short time-delay or ground fault time-delay for protective coordination in the system.  
However upstream breaker that did not receive its signal will trip instantaneously.
4. For ordinary ZSI operation, it should arrange operation time accordingly so that downstream circuit breakers will react before upstream ones under overcurrent/short time delay/ ground fault situations.
5. ZSI connecting line needs to be Max. 3m.



- 1) Occurrence of fault A
  - Only breaker ① performs instantaneous trip operation.
- 2) Occurrence of fault B
  - Breaker ② performs instantaneous trip operation,
  - breaker ① performs trip operation after prearranged delay time
  - But if breaker ② did not break the fault normally,
  - breaker ① performs instantaneous trip operation to protect system.

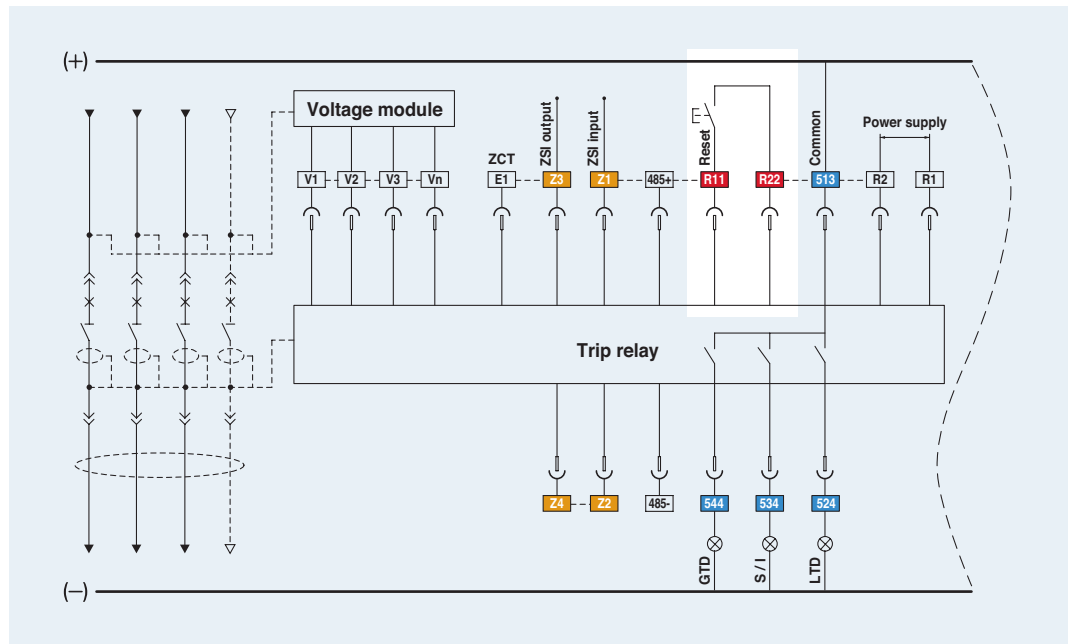
# Trip relay (OCR, STU)

## Remote reset and digital I/O (A, P, S type)

In case of that ACB operates due to accidents or over current, Trip relay indicates the information of the accident through the LED and LCD.

Trip relay A, P and S type is possible to perform the remote reset by digital input, and have 3 DO(Digital output).

1. Methods to reset Trip relay is to push the Reset button on the frontal side and to use the remote reset.
  2. Digital input
    - [R11-R22] input: Remote reset
    - [Z1-Z2] Input: ZSI input
    - [E1-E2] Input: ZCT for earth leakage detection or external CT input
- ※ All DI are dry contact that has 3.3V of recognition voltage. When inputting close by SSR(Solid State Relay) or open-collector, connect collector(Drain) to R11.
3. Digital output 3a(524, 534, 544-513)
    - Fault output: Long/Short time delay, Instantaneous, Ground fault, UVR, OVR, UFR, OFR, rPower, Vunbal, Iunbal (Maintains state as Latch form until user pushes reset.)
    - General DO: when setting L/R as remote, it is available to control close/open remotely by using communication.



Trip Relay	Digital Output	Long time	Short time	Instantaneous	Ground	Overload Alarm	UV	OV	UF	OF	IU	VU	D	S(V)	ROCOF	RP	RO	OP	OQ	UP	Note	General DO	
P, S type	DO1(524)	●	○	○	○	○	○	○	○	○	○	○	○	○	○	○	○	○	○	○	Programmable	○	
	DO2(534)	○	●	●	○	○	○	○	○	○	○	○	○	○	○	○	○	○	○	○		○	○
	DO3(544)	○	○	○	●	○	○	○	○	○	○	○	○	○	○	○	○	○	○	○		○	○
A type	DO1(524)	●	×	×	×	Not available	Not available	Not available	Not available	Not available	Not available	Not available	Not available	Not available	Not available	Not available	Not available	Not available	Not available	Not available	Fixed	Not available	
	DO2(534)	×	●	●	×																		
	DO3(544)	×	×	×	●																		



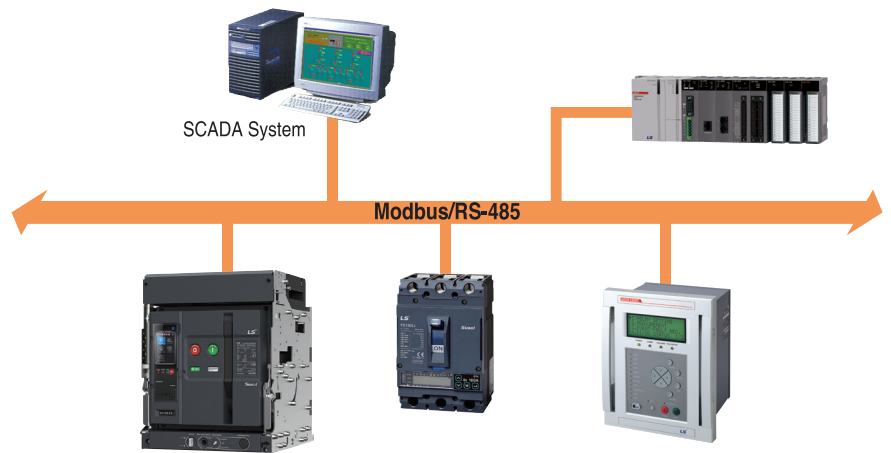
## Communication

### Modbus/RS-485

- Operation mode: Differential
- Distance: Max. 1.2km
- Cable :  
General RS-485 shielded twist 2-pair cable
- Baud rate :  
9600bps, 19200bps, 38400bps
- Transmission method: Half-Duplex
- Termination: 100Ω

※ RS485 communication precautions

- 1) Operation mode and maximum communication distance:  
Support up to 1.2km in differential mode.
- 2) Communication line and cable specification:  
Use universal AWG22, twisted shield par cable.
- 3) Please make sure to ground the shield of the communication line.

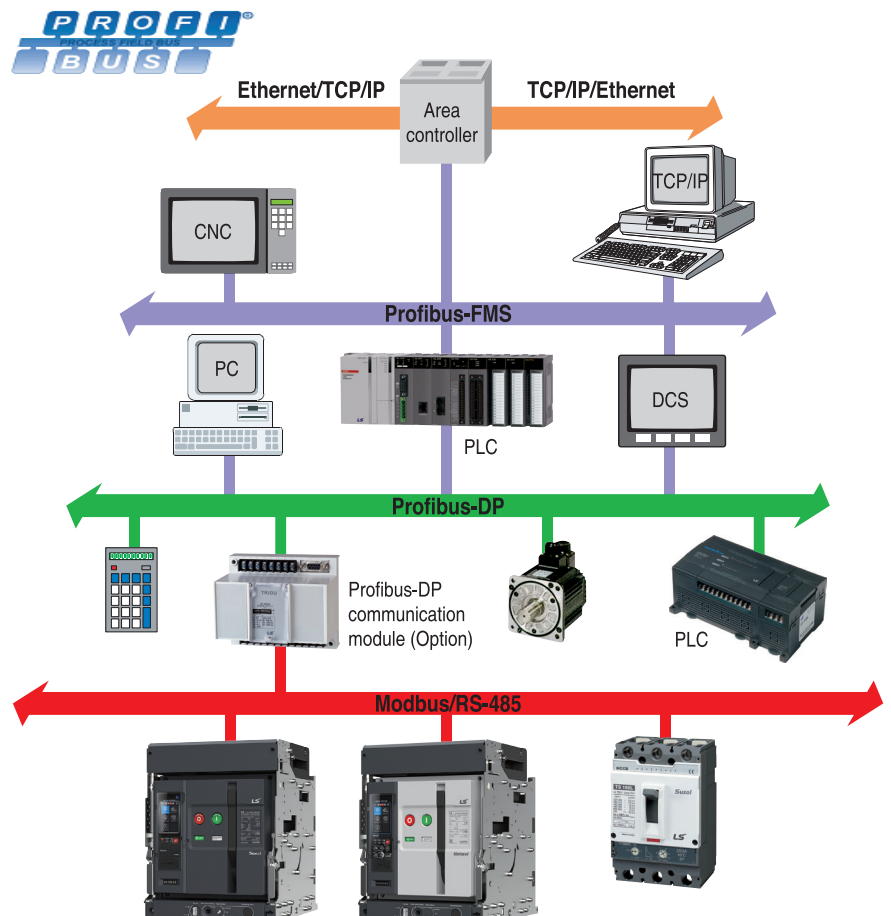


### Profibus-DP(A-type OCR Only)

- Profibus-DP module is installed separately (Option)
- Operation mode: Differential
- Distance: Max. 1.2km
- Cable: Profibus-DP shielded twist 2-pair cable
- Baud rate: 9600bps~12Mbps
- Transmission method: Half-Duplex
- Termination: 100Ω
- Standard: EN 50170 / DIN 19245

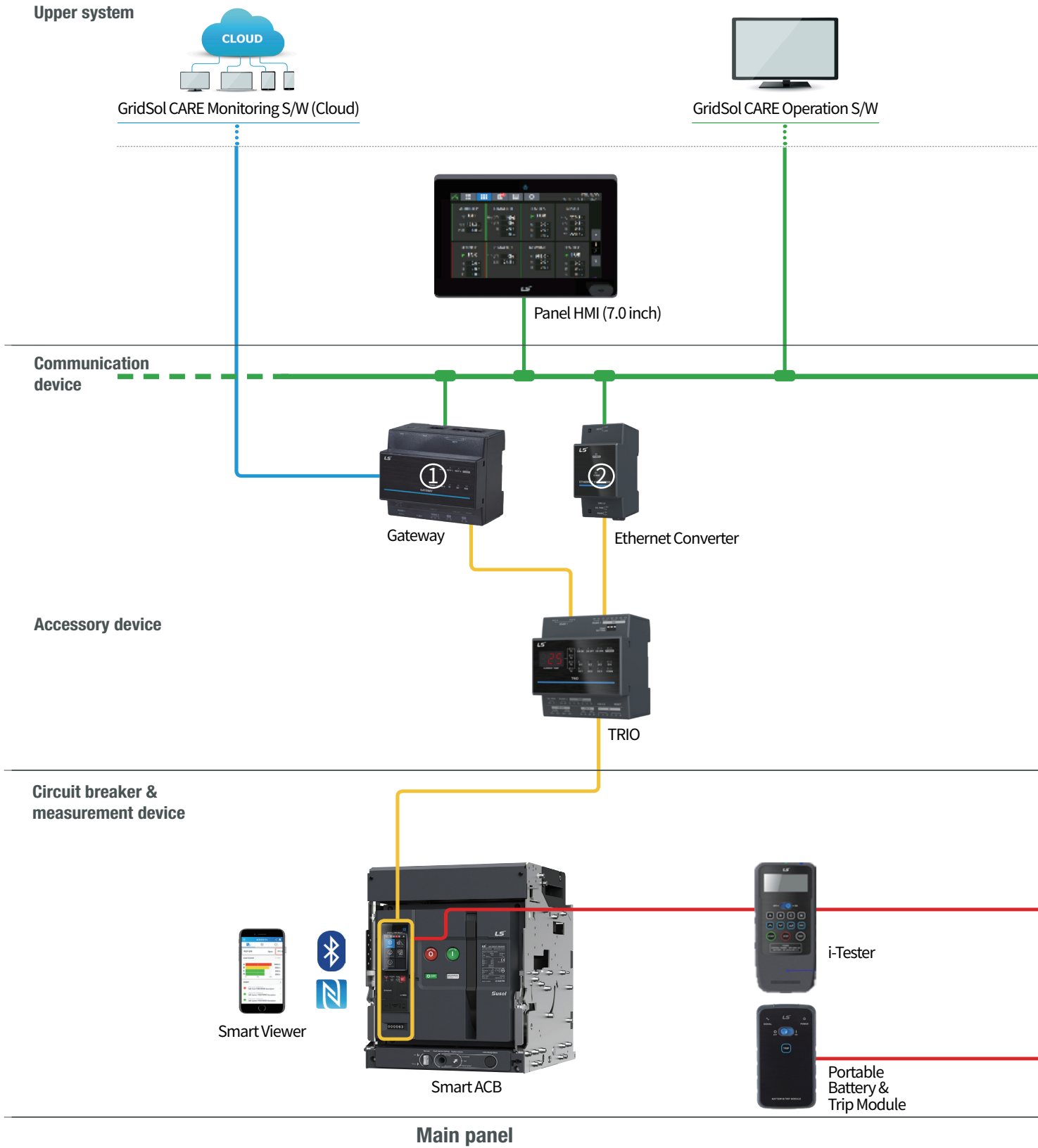


Profibus-DP communication module (Option)

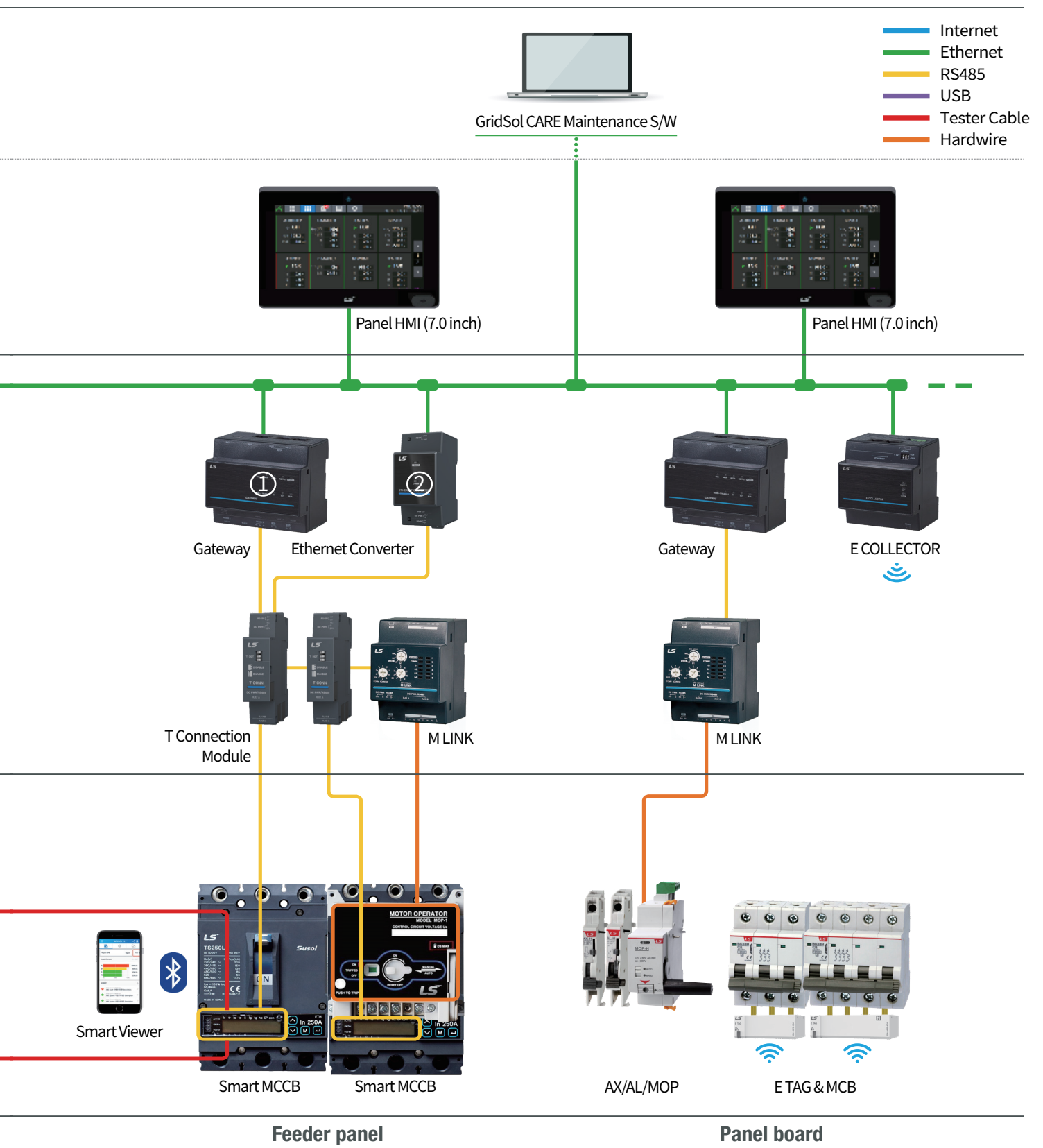


# ACB/MCCB/MCB panel configuration

## ACB/MCCB/MCB panel configuration



※ Please use one of the communication devices ① (Gateway) or ② (Ethernet Converter).      ※ Coamptible devices : GIMAC1000, GIMAC-B, MMP, DMP1  
 ※ RSTP (Rapid Spanning Tree Protocol) supported devices : Data Logger, Gateway, Ethernet Converter, E COLLECTOR



# Trip relays

## Protection element setting(P/S type)

SMART TRIP UNIT

Main menu

- Screen transition (Left/Right arrows)
- Return (U-turn arrow)
- Cancel (C icon)
- Enter (Enter key icon)

### H/W SET display

- Network
- Communication
- Frequency
- DO Setting
- Local/Remote Control
- Demand
- Language
- Password
- Power Factor
- Group Control
- UDD
- Time-RTC
- Over Temperature Trip
- Data Clear
- OP Test

### Relay SET display

- L
- LN
- S
- I
- G
- Gext
- PAT
- UV
- OV
- RV
- D
- S(V)
- IU
- VU
- UF
- OF
- ROCOF
- RP
- RQ
- OP
- OQ
- UP
- ERMS\_L
- ERMS\_LN
- ERMS\_S
- ERMS\_I
- ERMS\_G

### Measurement display

- Load Current
- Metering Overview
- Voltage & Current
- Power & Energy
- Demand
- Harmonics
- Oscilloscope

### Measurement - Load Current/Metering Overview

Va	220.4	V ∠ 0
Ia	180.5	A ∠ 65
Ptot	98.05	W
Qtot	52.01	VAR
EP	6.284	KWH
PFtot	85.45	%
Freq	60.00	HZ

### ERMS display

ERMS executed

Ia : 142.2(50%)  
Ib : 140.3(48%)  
Ic : 141.5(49%)  
In : 142.2(50%)

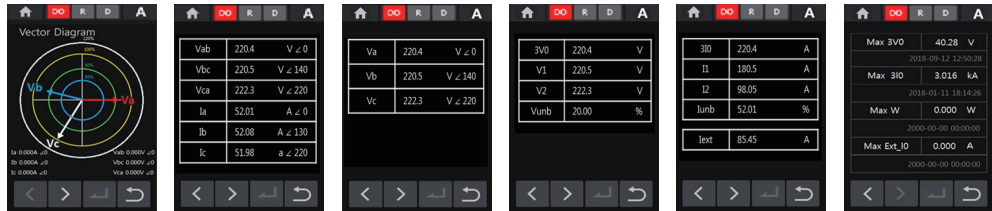
Press to OFF

• The Screen during ERMS ON

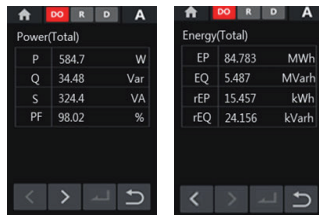


## Protection element setting(P/S type)

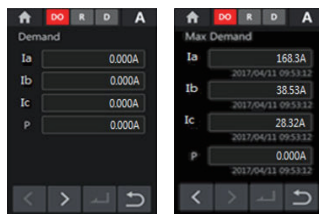
### Measurement – Voltage & Current



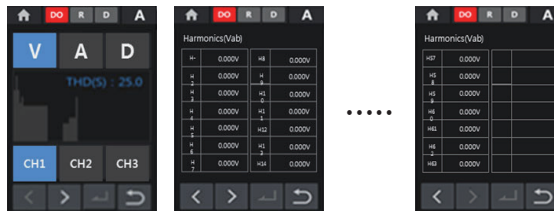
### Measurement – Power & Energy



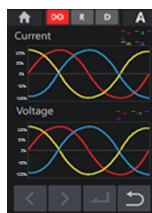
### Measurement – Demand



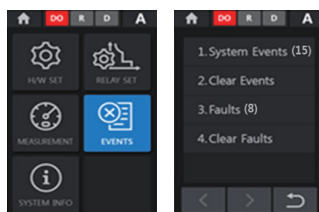
### Measurement – Harmonics



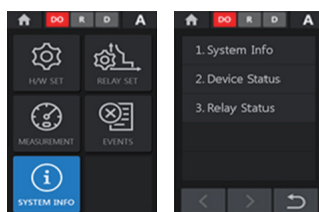
### Measurement – Oscilloscope



### EVENT display



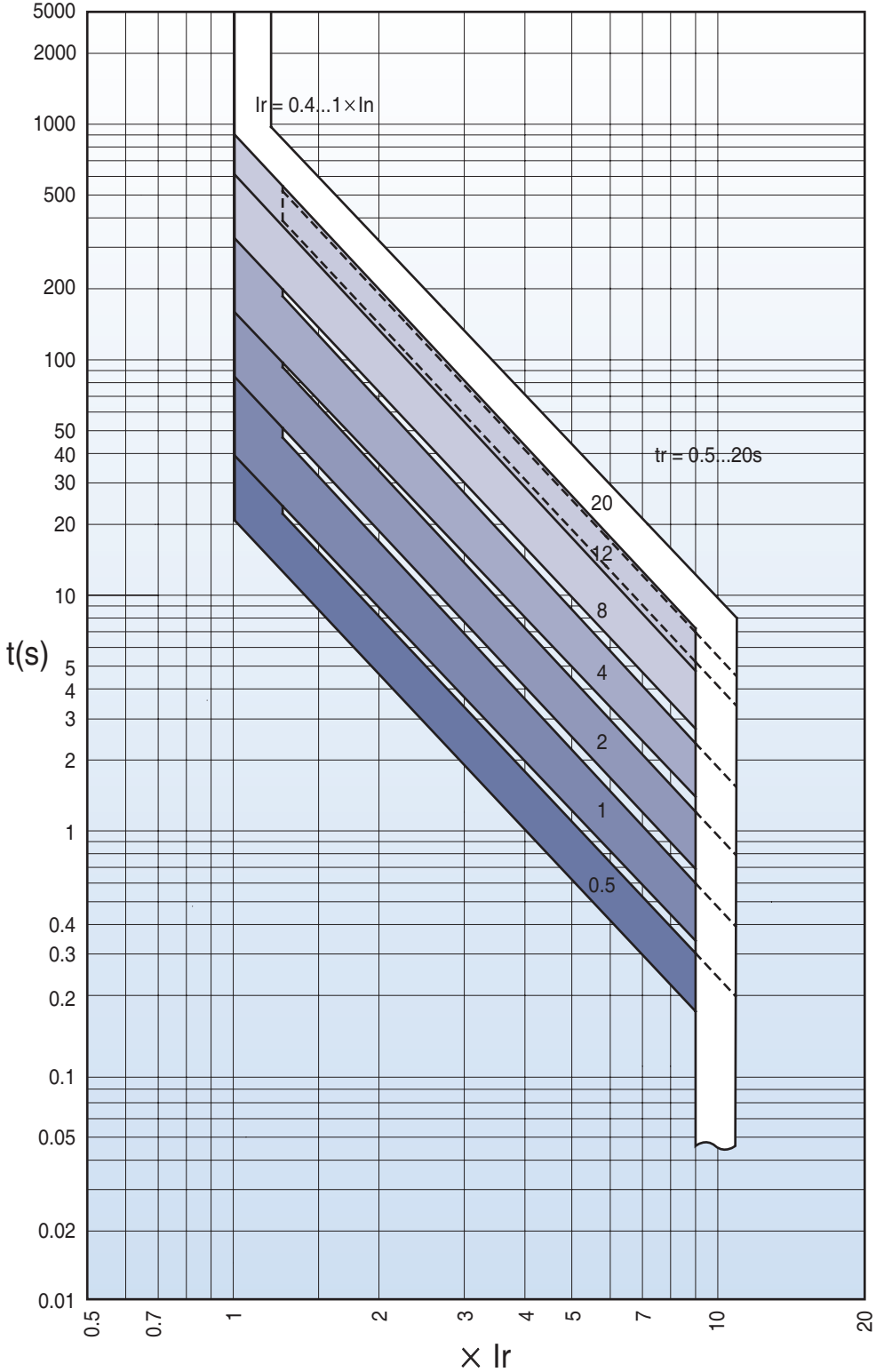
### System info display



# Trip relays

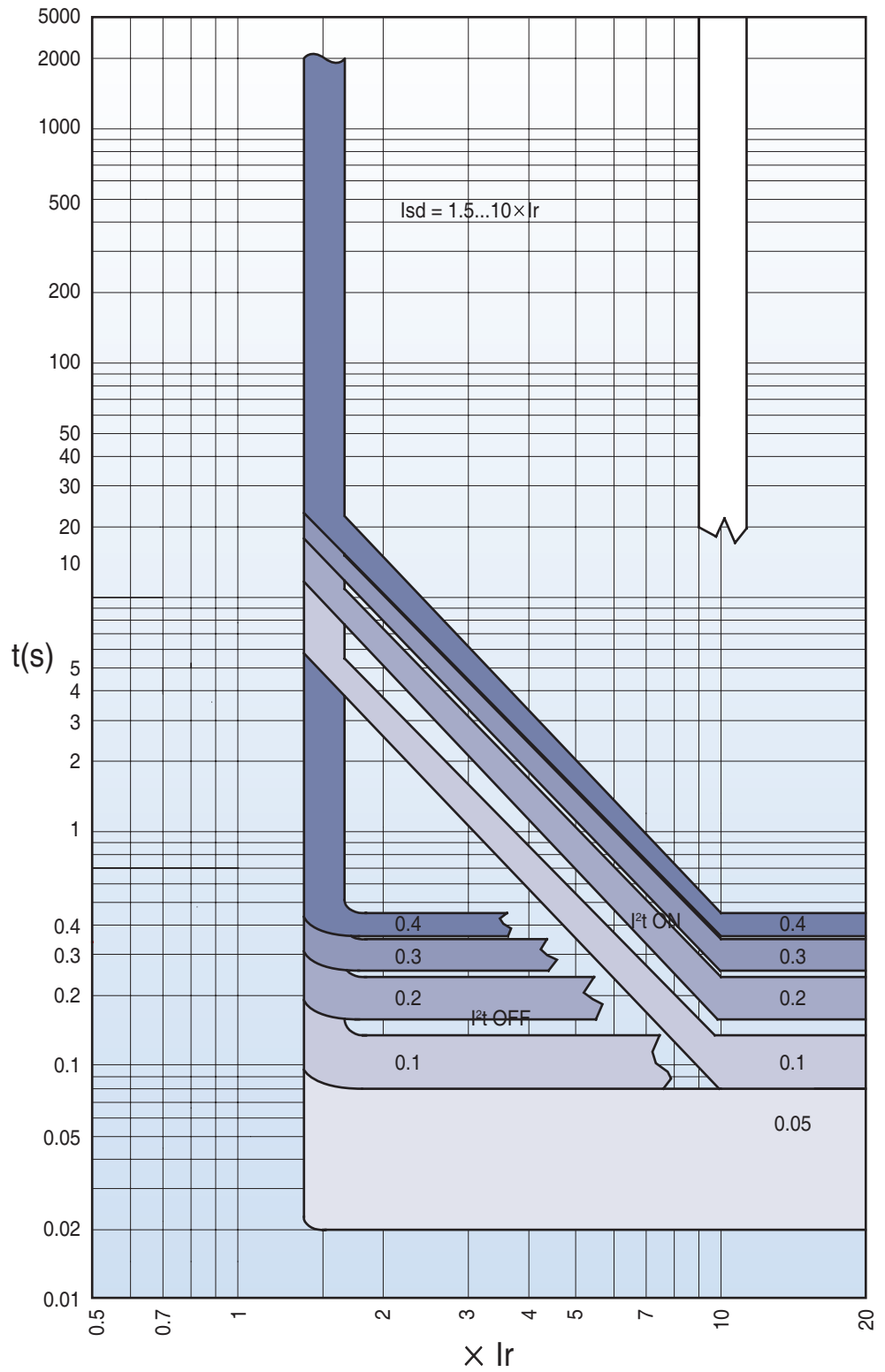
## Characteristics curves

Long-time delay (L)



## Characteristics curves

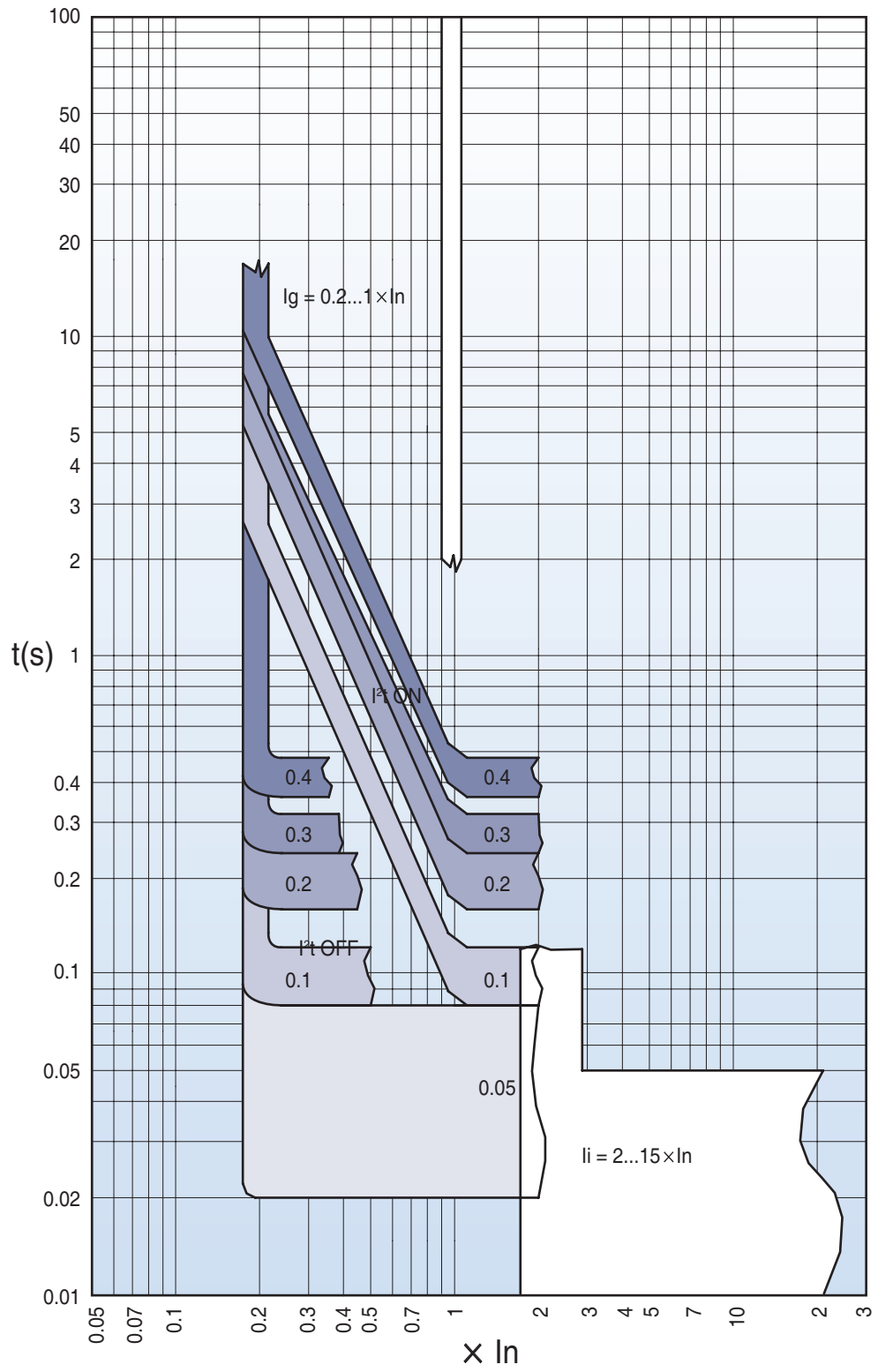
Short-time delay (S)



# Trip relays

## Characteristics curves

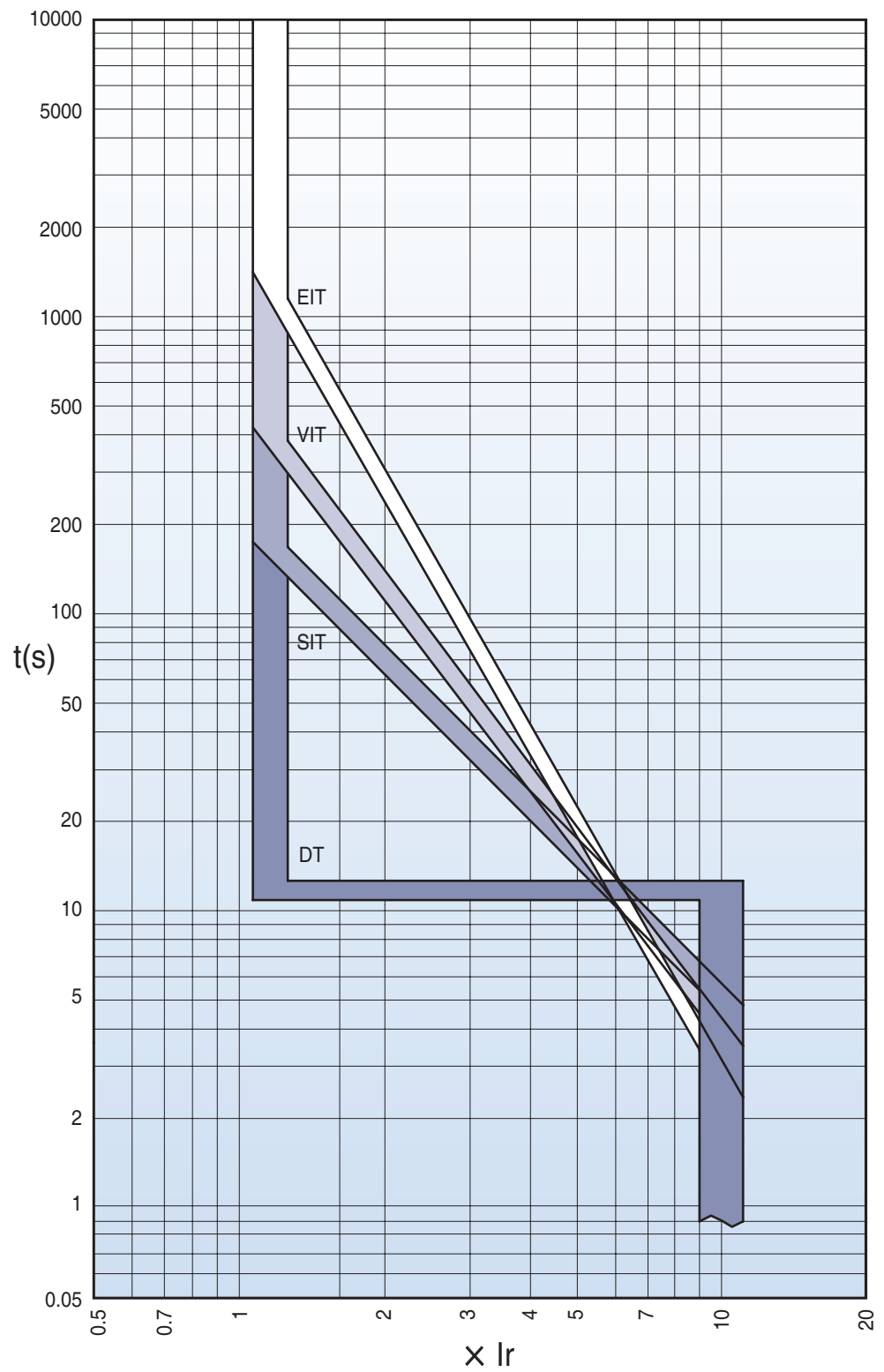
Instantaneous (I)  
Ground fault (G)





## Characteristics curves

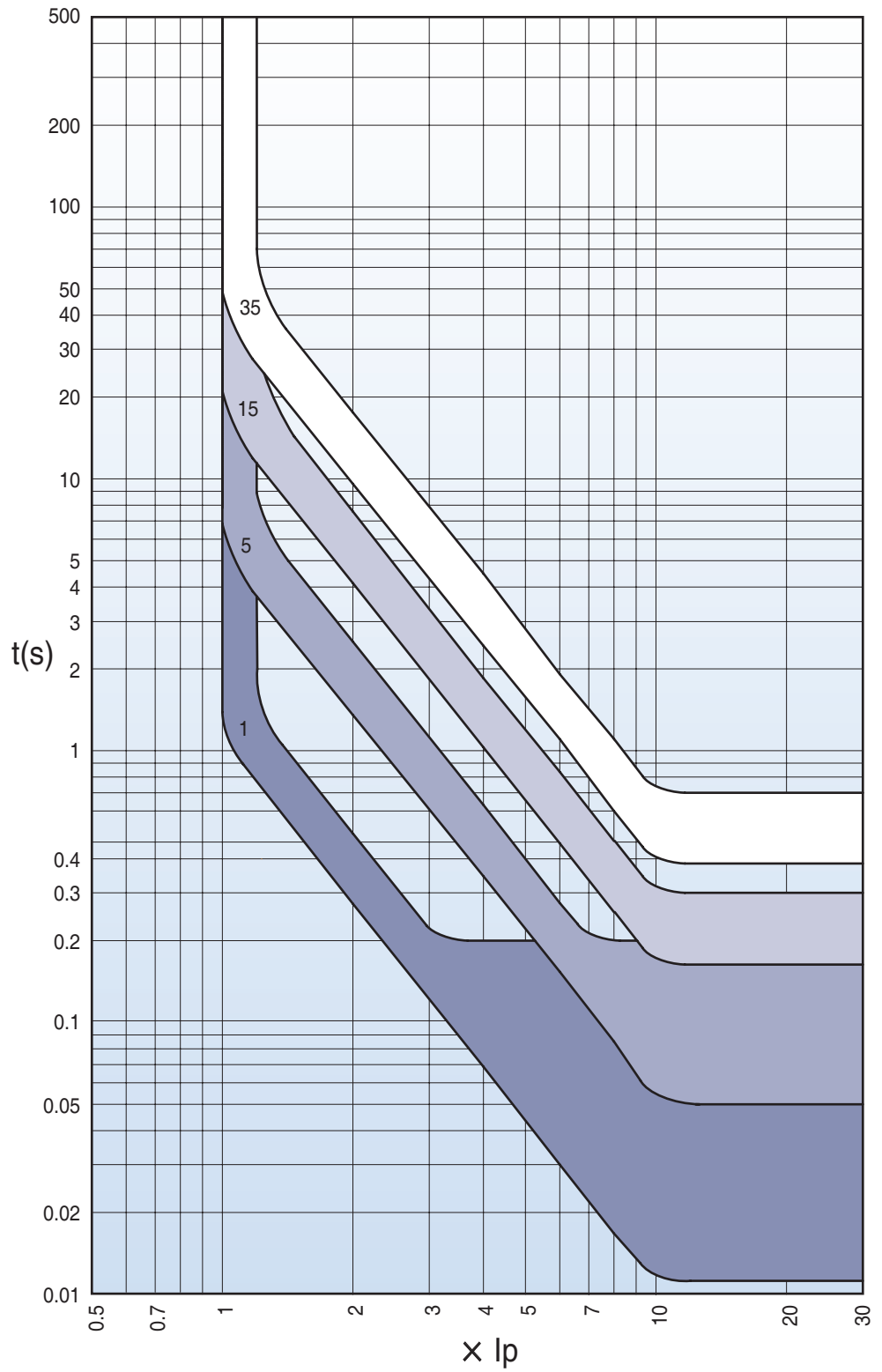
IDMTL



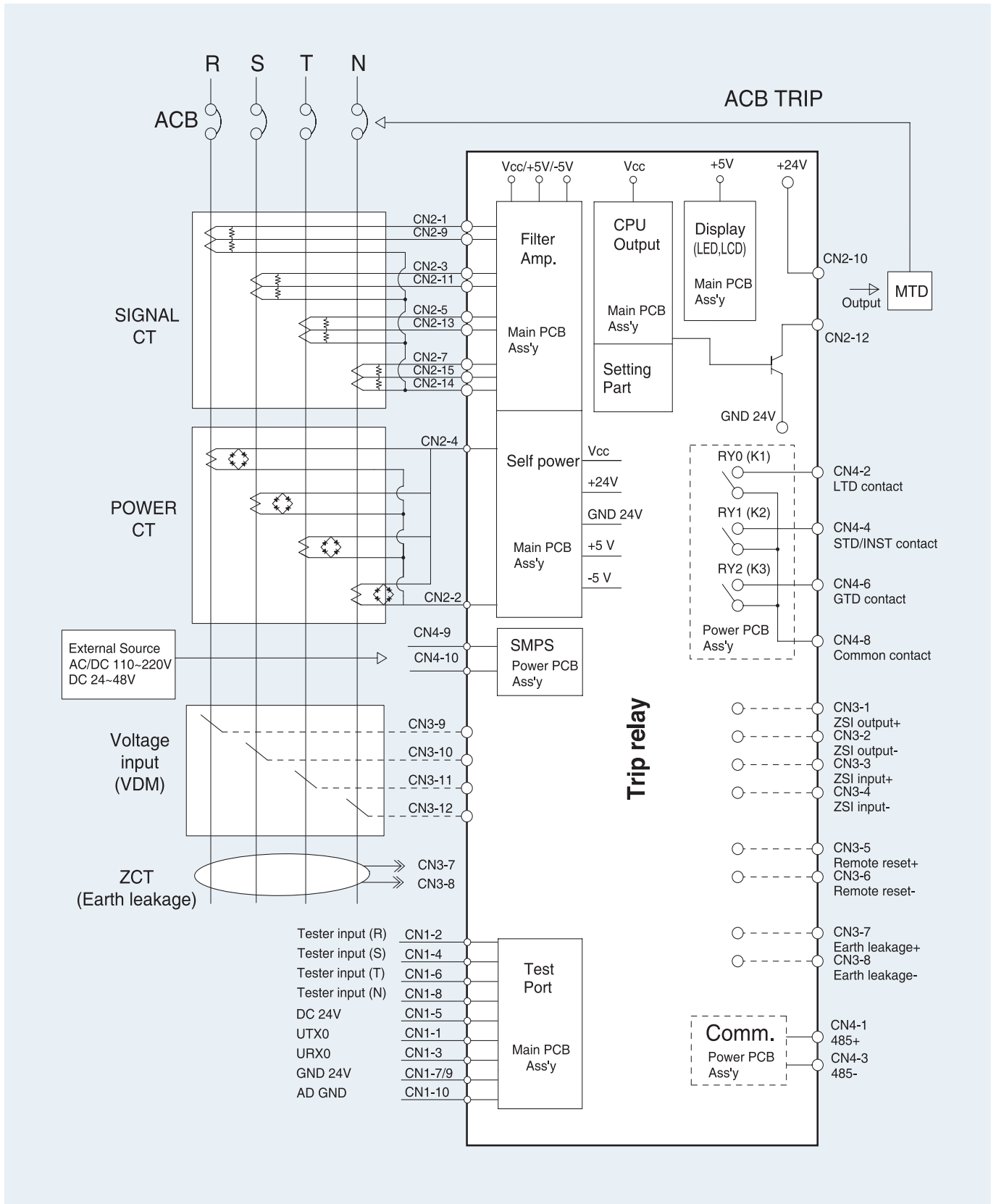
# Trip relays

## Characteristics curves

### Pre Trip Alarm

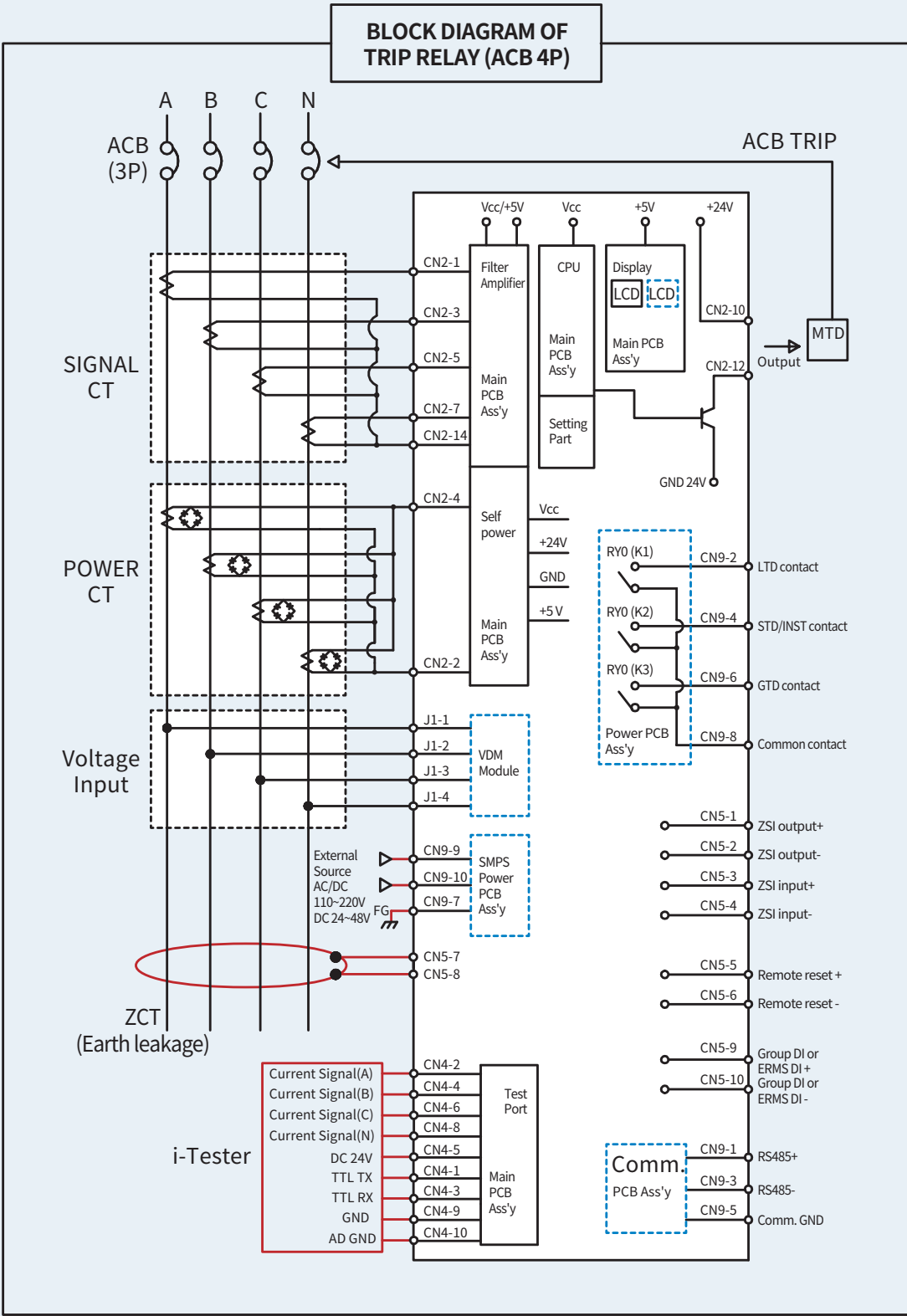


# System block diagram(OCR)



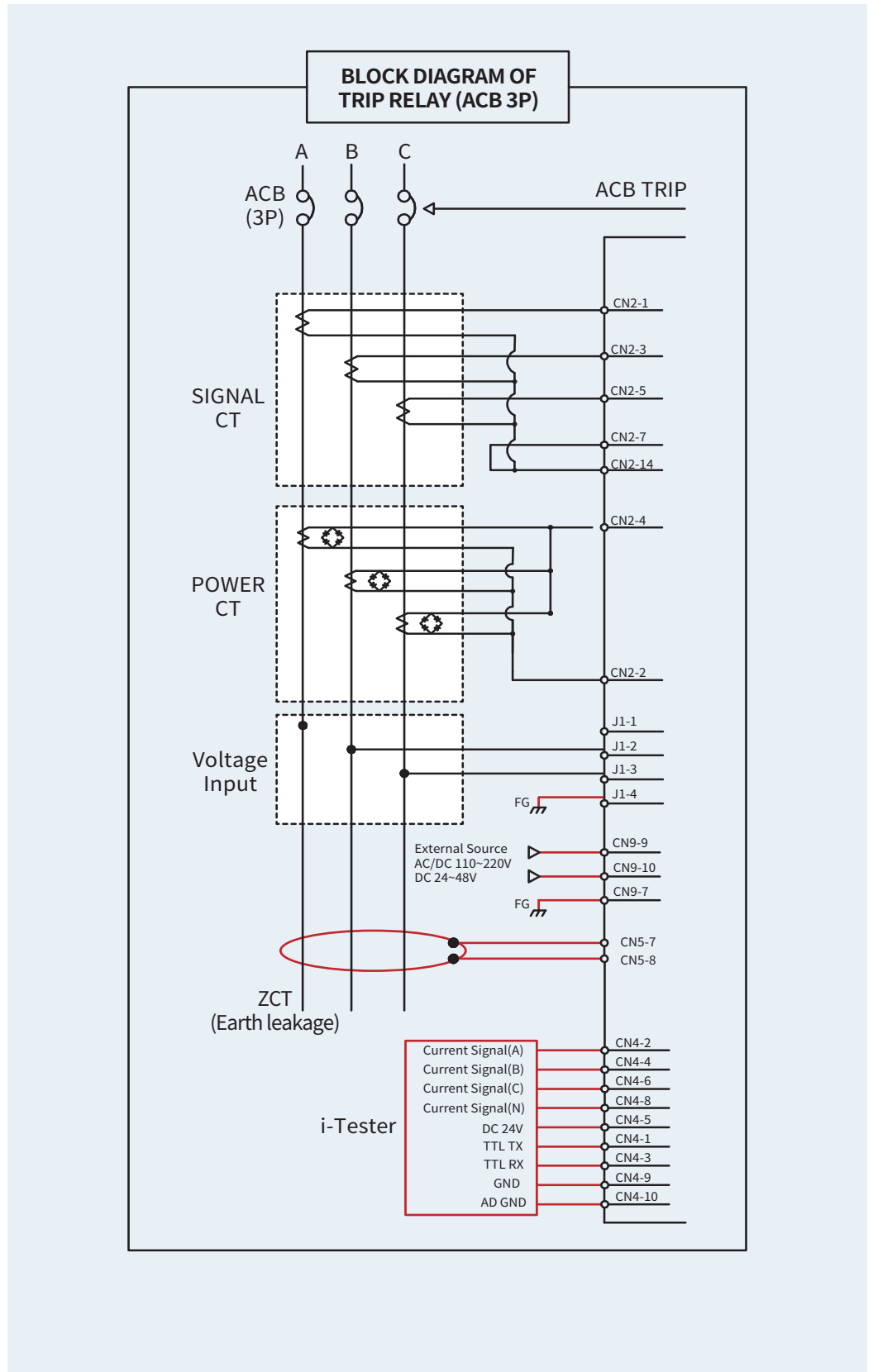
# Trip relays

## System block diagram(STU)





## System block diagram(STU)



# Accessories



Mounting	Accessories		AH		AS		AN		Remark	Page
			Standard	Option	Standard	Option	Standard	Option		
Internal	SHT1	Shunt Coil	●	○	●	○	●	○	*	72
	SHT2	Double Shunt Coil		○		○			*	73
	CC	Closing Coil	●	○	●	○	●	○	*	74
	M	Motor	●	○	●	○	●	○	*	75
	CS1	Charge Switch	●	○	●	○	●	○	*	76
	CS2	Charge Switch Communication		○		○		○	*	76
	UVT	Under Voltage Trip Device		○		○		○	*	76
	AL	Trip Alarm Contact		○		○		○	*	77
	MRB	Manual Reset Button		○		○		○	*	77
	RES	Remote Reset Switch		○		○		○	*	72
	RCS	Ready to Close Switch		○		○		○	*	72
	C	Counter	●			○		○	*	85
	AX	Auxiliary Switch		○		○		○	*	79
	TM	Temperature Alarm		○		○		○	*	102
	MI	Mechanical Interlock		○		○		○	*	87
External	K1	Key Lock		○		○		○	*	80
	K2	Key Interlock Set		○		○		○	*	80
	K3	Double Key Lock		○		○		○	*	81
	B	On/Off Button lock		○		○		○	*	81
	LH	Lifting Hook		○		○		○		82
	CTD	Condenser Trip Device		○		○		○		82
	ATS	Automatic Transfer Switch Controller		○		○		○		83
	DC	Dust Cover		○		○		○		85
	DF	Door Frame		○		○		○		90
	IT	i-Tester(Intelligent Tester)		○		○		○		100
	J	Manual Connector		○		○	●		*	-
	A	Automatic Connector	●		●			○	*	-

- Note) 1. Reduplicate of AL is not available  
 2. Reduplicate of Key lock is not available  
 3. Reduplicate of Double shunt coil is not available. It can not be used simultaneously with UVT.  
 4. RCS and CS2 cannot be used simultaneously  
 5. TM and auxiliary contacts TX, TC, CC, JC cannot be used simultaneously.  
 \* Separate purchasing is not allowed. Each item should be purchased with the main body.



Mounting	Accessories		AH		AS		AN		Remark	Page
			Standard	Option	Standard	Option	Standard	Option		
Trip relay	N	N type		○		○		○	*	42
	A	A type		○		○			*	44
	P	P type		○		○		○	*	46
	S	S type		○		○		○	*	48
	VM	Voltage Module		○		○		○	**	52
	ZCT	ZCT for the earth leakage		○		○		○		-
Cradle	SBC	Shorting "b" Contact		○		○		○		92
	ST	Safety Shutter		○		○		○	*	89
	STL	Safety Shutter Lock		○		○		○		89
	MIP	Miss Insertion Prevent Device		○		○		○		96
	MOC	Mechanical Operated Cell Switch		○		○		○		86
	CEL	Cell Switch		○		○		○		91
	DI	Door Interlock		○		○		○		88
	ZAS	Zero Arc Space	●			○		○	*	93
	SC	Safety Control Cover	●		●		●		***	93
	BSP	Body Supporter		○		○		○		94
	RI	Racking Interlock		○		○		○		95
	PL	Pad Lock/ Position Lock	●		●		●		*	94
	IB	Interphase Barrier	●			○		○	*	90
	UDC	UVT Time Delay Controller		○		○		○		97
ADP	Compatible Adapter		○		○		○		-	
Other	RPH	Reverse Phase ACB		○		○		○		-
	DUM	Dummy ACB		○		○		○		-
	VAD	Various Connection Type		○		○		○		-
	RCO	Remote I/O		○		○		○		104
	PC	Profibus-DP comm. module		○		○		○		65

Note) 1. MI cannot be used simultaneously with DI or MOC

2. MI, DI and MOC cannot be used simultaneously with SBC.

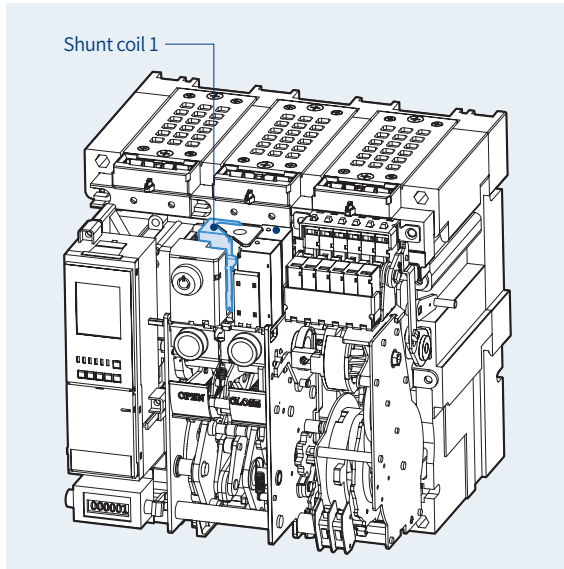
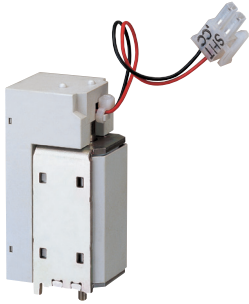
3. CEL for right side attachment type is not available when using MI, DI and MOC.

\* Separate purchasing is not allowed. Each item should be purchased with the main body.

\*\* Voltage module should be purchased with P/S type trip relay.

\*\*\* It is available only when the control block is in the mode of auto-connection.

## Shunt Coil [SHT1]

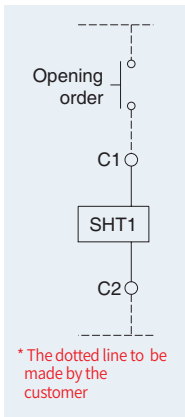


- SHT1 is a control device which trips a circuit breaker from remote place, when applying voltage continuously or instantaneously over 200ms to coil terminals(C1, C2).
- When UVT coil is installed, its location is changed.

### ■ Rated voltage and characteristics of trip coil

Rated voltage (Vn)		Operating voltage range (V)	Power consumption (VA or W)		Trip time (ms)
DC (V)	AC (V)		Inrush	Steady-state	
24~30	-	0.7~1.1 Vn	200	5	Less than 40ms under
48~60	48	0.7~1.1 Vn			
100~130	100~130	0.7~1.1 Vn			
200~250	200~250	0.7~1.1 Vn			
-	380~480	0.7~1.1 Vn			

Note) Operating voltage range is the min. rated voltage standard for each rated voltage(Vn).



Wiring Diagram

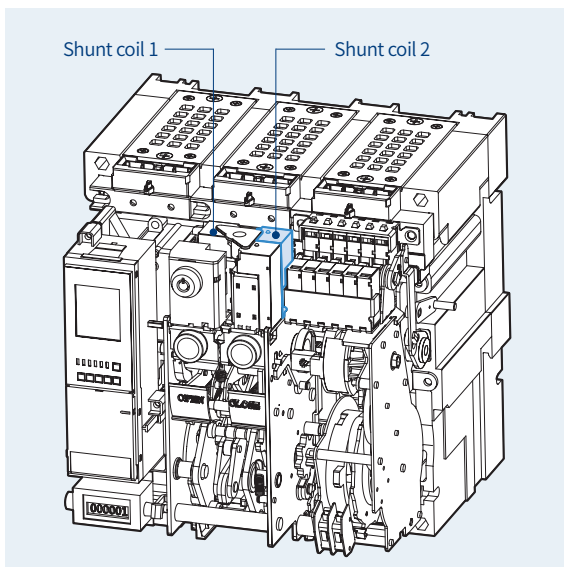
### ■ Specification of the wire

- Refer to the below table regarding the length and specification of wire when using trip coil with DC 24~30V or DC / AC 48~60V of rated voltage.

The maximum wire length

Wire type		Rated voltage (Vn)			
		DC 24~30V		DC / AC 48V	
		#14 AWG (2.08mm <sup>2</sup> )	#16 AWG (1.31mm <sup>2</sup> )	#14 AWG (2.08mm <sup>2</sup> )	#16 AWG (1.31mm <sup>2</sup> )
Operating voltage	100%	95.7m	61m	457.8m	287.7m
	85%	62.5m	38.4m	291.7m	183.2m

## Double Shunt Coil [SHT2]

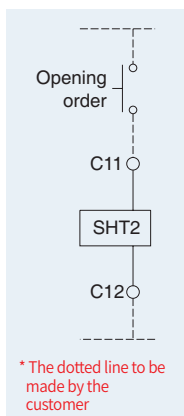


- SHT2 is a control device which trips a circuit breaker doubly from the outside. When SHT1 doesn't operate normally, it can trip a circuit breaker safely.
- Shunt coil 1: Install it at existing location.
- Shunt coil 2: Install it on the right side of the Shunt coil 1
- It is not available with UVT coil when installing double shunt coil.

### ■ Rated voltage and characteristics of trip coil

Rated voltage (Vn)		Operating voltage range (V)	Power consumption (VA or W)		Trip time (ms)
DC (V)	AC (V)		Inrush	Steady-state	
24~30	-	0.7~1.1 Vn	200	5	Less than 40ms
48~60	48	0.7~1.1 Vn			
100~130	100~130	0.7~1.1 Vn			
200~250	200~250	0.7~1.1 Vn			
-	380~480	0.7~1.1 Vn			

Note) Operating voltage range is the min. rated voltage standard for each rated voltage(Vn).



\* The dotted line to be made by the customer

Wiring Diagram

### ■ Specification of the wire

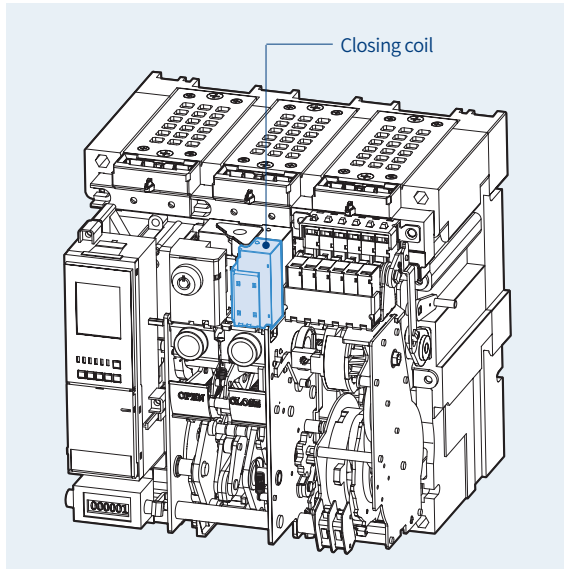
- Refer to the below table regarding the length and specification of wire when using trip coil with DC 24~30V or DC / AC 48~60V of rated voltage.

The maximum wire length

		Rated voltage (Vn)			
		DC 24~30V		DC / AC 48V	
Wire type		#14 AWG (2.08mm <sup>2</sup> )	#16 AWG (1.31mm <sup>2</sup> )	#14 AWG (2.08mm <sup>2</sup> )	#16 AWG (1.31mm <sup>2</sup> )
Operating voltage	100%	95.7m	61m	457.8m	287.7m
	85%	62.5m	38.4m	291.7m	183.2m



## Closing Coil [CC]

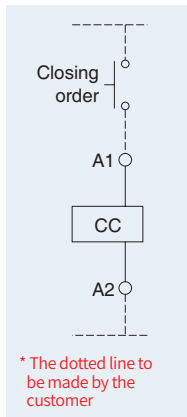


• It is a control device which closes a circuit breaker, when the voltage is applied continuously or instantaneously over 200ms to the coil terminals (A1, A2).

### ■ Rated voltage and characteristics of Closing coil

Rated voltage (Vn)		Operating voltage range (V)	Power consumption (VA or W)		Closing time
DC (V)	AC (V)		Inrush	Steady-state	
24~30	-	0.85~1.1 Vn	200	5	Less than 80ms/90ms under
48~60	48	0.85~1.1 Vn			
100~130	100~130	0.85~1.1 Vn			
200~250	200~250	0.85~1.1 Vn			
-	380~480	0.85~1.1 Vn			

Note) Operating voltage range is the min. rated standard for each rated voltage (Vn).



Wiring Diagram

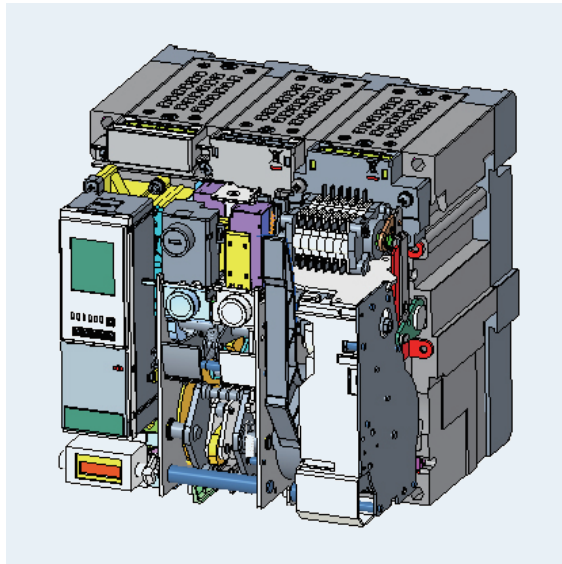
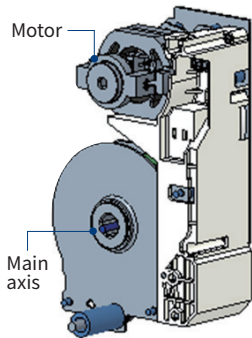
### ■ Specification of the wire

• Refer to the below table regarding the length and specification of wire when using trip coil with DC 24~30V or DC / AC 48~60V of rated voltage.

The maximum wire length

Wire type		Rated voltage (Vn)			
		DC 24~30V		DC / AC 48V	
		#14 AWG (2.08mm <sup>2</sup> )	#16 AWG (1.31mm <sup>2</sup> )	#14 AWG (2.08mm <sup>2</sup> )	#16 AWG (1.31mm <sup>2</sup> )
Operating voltage	100%	95.7m	61m	457.8m	287.7m
	85%	62.5m	38.4m	291.7m	183.2m

## Motor [M]



- Charge the closing spring of a circuit breaker by the external power source. Without the external power source, charge manually.
- Operating voltage range (IEC 60947)  
85%~110%Vn

Input voltage (V)	DC 24~30V	AC/DC 48~60V	AC/DC 100~130V	AC/DC 200~250V	AC 380V	AC 440~480V
Load current (max.)	5A	3A	1A	0.5A	0.3A	0.3A
Starting current (Max.)	5 times of load current					
Load rpm (Motor)	15000 ~ 19000 rpm					
Charge time	Less than 5sec.					
Dielectric strength	2kV/min					
Using temperature range	-20°~ 60°					
Using humidity range	Max. RH 80% (No dew condensation)					
Charge switch	10A at 250VAC					

### Susol

Type	AH-D	AH-E	AH-G
Endurance	20,000	15,000	10,000

### Metasol

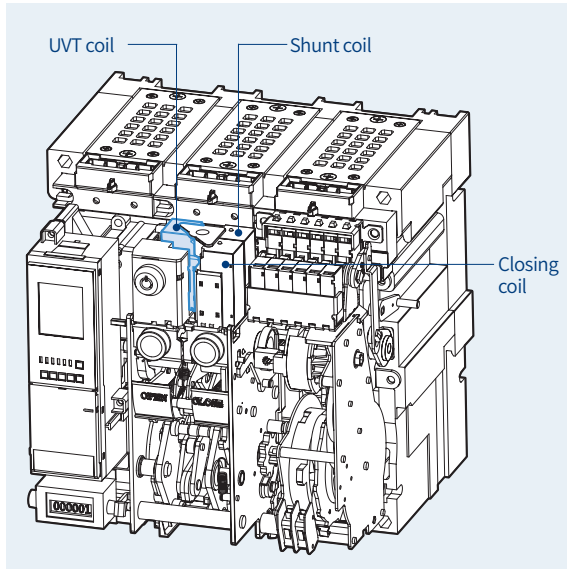
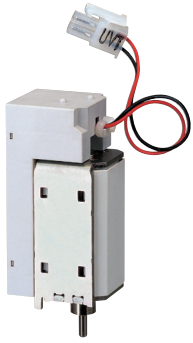
Type	AN, AS-D	AN, AS-E	AS-F	AS-G
Endurance	20,000	15,000	10,000	10,000

\* Unit: Cycle (Frequency 2 cycles/ min)

## Charge Switch [CS1]

## Charge Switch Communication [CS2]

## Under Voltage Trip device [UVT]



- If the voltage of the main or the control power is under voltage, UVT which is installed inside of the breaker breaks the circuit automatically. Please connect with UVT time-delay device in order to present the time-delay function because UVT is technically instantaneous type.
- The closing of a circuit breaker is impossible mechanically or electrically if control power not supplied to UVT. To close the circuit breaker, 65~85% of rated voltage should be applied to both terminals of UVT coil (D1, D2).
- When using UVT coil, the double trip coil can not be used, and the location of trip coil is changed.

### ■ Rated voltage and characteristics of UVT coil

Rated voltage (Vn)		Operating voltage range (V)		Power consumption (VA or W)		Trip time (ms)
DC (V)	AC (V)	Pick up	Drop out	Inrush	Steady-state	
24~30	-	0.65~0.85 Vn	0.4~0.6 Vn	200	5	Less than 50ms
48~60	48					
100~130	100~130					
200~250	200~250					
-	380~480					

Note) Operating voltage range is the min. rated standard for each rated voltage (Vn).

### ■ Specification of the wire

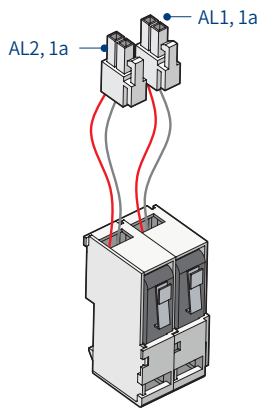
- Refer to the below table regarding the length and specification of wire when using trip coil with DC 24~30V or DC/AC 48~60V of rated voltage.

The maximum wire length

		Rated voltage (Vn)			
		DC 24~30V		DC / AC 48V	
Wire type		#14 AWG (2.08mm <sup>2</sup> )	#16 AWG (1.31mm <sup>2</sup> )	#14 AWG (2.08mm <sup>2</sup> )	#16 AWG (1.31mm <sup>2</sup> )
Operating voltage	100%	48.5m	30.5m	233.2m	143.9m
	85%	13.4m	8.8m	62.5m	39.3m

Note) In case of using UVT coil, the location of Shunt coil is changed.

## Trip Alarm Contact [AL]

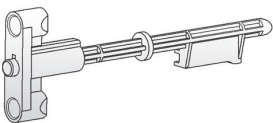


- When a circuit breaker is tripped by OCR which operates against the fault current (Over Current Relay), Trip Alarm switch provides the information regarding the trip of circuit breaker by sending the electrical signal from the mechanical indicator on front cover of main circuit breaker or internal auxiliary switch. (Installed at the inside of circuit breaker)
- When a circuit breaker tripped by fault current, a mechanical trip indicator (MRB, Manual Reset Button) pops out from the front cover and the switch (AL) which sends control signal electrically is conducted to output the information occurred from fault circuit breaker.
- MRB and AL can be operated only when tripping by OCR, but doesn't be operated by Off button and OFF operation of trip coil.
- To re-close a circuit breaker after a trip, press MRB to reset it for closing.
- 2pcs of electrical trip switch (AL1, AL2, 1a) are provided (Option)
- Trip alarm contact and MRB(Manual reset bottom) need to be purchased together.

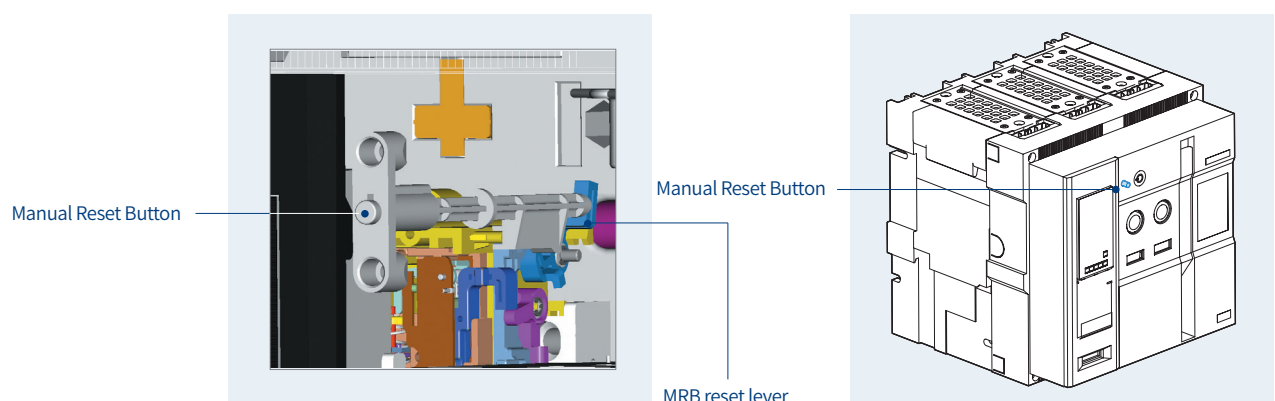
### ■ Electrical characteristics of trip alarm contact

Rated voltage (V)	Non-inductive load (A)		Inductive load (A)		Inrush current
	Resistive load	lamp load	Inductive load	Motor load	
8V DC	11	3	6	3	MAX. 24A
30V DC	10	3	6	3	
125V DC	0.6	0.1	0.6	0.1	
250V DC	0.3	0.05	0.3	0.05	
250V AC	11	1.5	6	2	

## Manual Reset Button [MRB]



- It is a function which resets a circuit breaker manually when a circuit breaker is tripped by OCR.
- When a circuit breaker tripped by fault current, a mechanical trip indicator (MRB, Manual Reset Button) pops out from the front cover and the switch (AL) which sends control signal electrically is conducted to output the information occurred from fault circuit breaker.
- MRB can be operated only by OCR but not by OFF operation of circuit breaker. To re-close a circuit breaker after a trip, press MRB to reset it for closing.



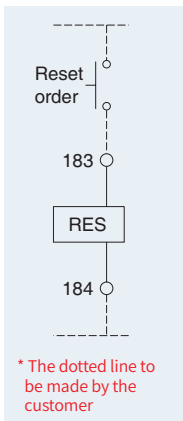
Note) The manual reset button is protruded in the event of trip.

## Remote Reset Switch [RES]

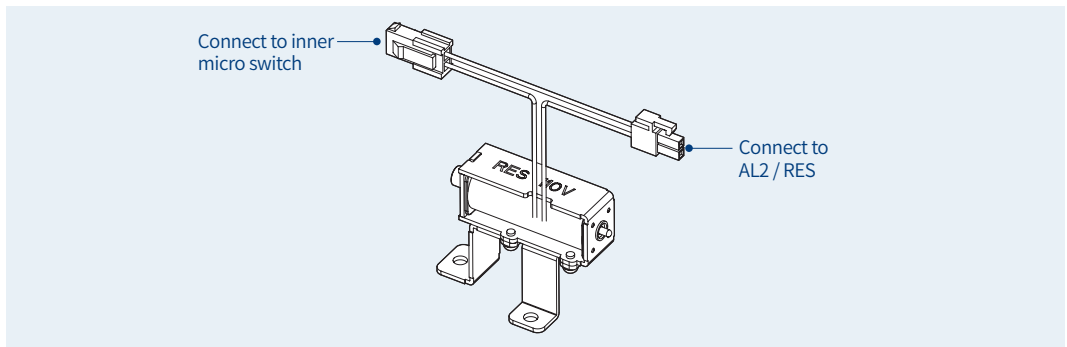
- Following tripping, this function resets the "fault trip" alarm contacts (AL) and the mechanical indicator (MRB) and enables circuit breaker closing.  
Push button switch: AC 125V 10A, AC 250V 6A, DC 110V 2.2A, DC 220V 1.1A Resistive load
- In case of auto reset type circuit breaker  
Following tripping, a reset of Manual Reset Button (MRB) or Remote Reset Switch (RES) is no longer required to enable circuit breaker closing.  
The mechanical indicator (MRB) and electrical indicator (AL) remain in fault position until the reset button is pressed.
- AL2 and RES are alternative.

### ■ Rated voltage and rated current of RES

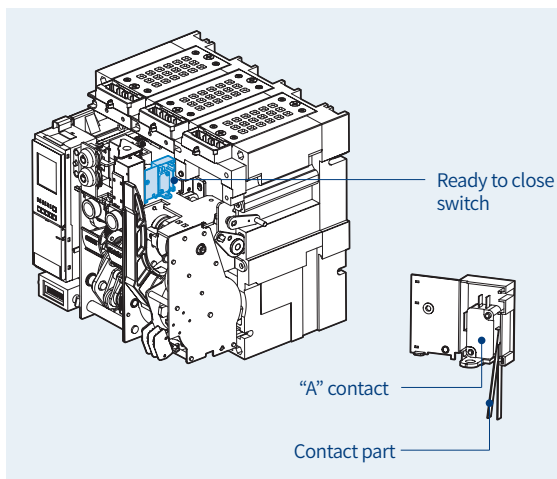
Rated voltage (V)	Operating current (Max.)		Operating time	Inrush current
AC 110~130V	AC	6A	Less 40ms	#14 AWG (2.08 mm <sup>2</sup> )
DC 110~125V	DC	5A		
AC / DC 200~250V	AC	3A		#16 AWG (1.31 mm <sup>2</sup> )
	DC	2.5A		



Wiring Diagram



## Ready to Close Switch [RCS]

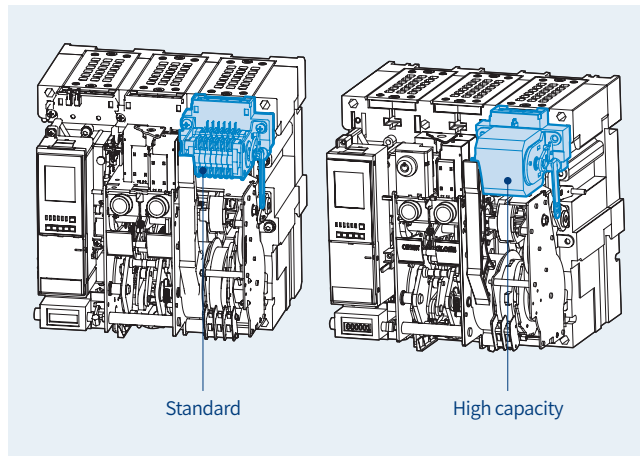
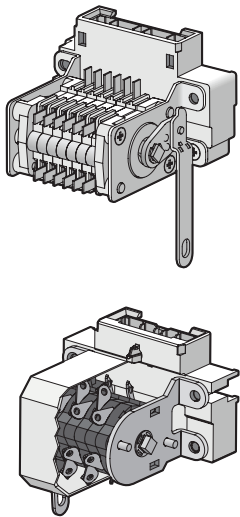


- RCS operates with the mechanism of the Breaker
- It indicates the status of the Breaker that is ready for closing operation.
- When mechanism is in OFF and Charged position, the contact closes which indicates that mechanism is ready to be closed.

Classification	Standard		Remark
Contactor Capacity	250/125 Vac	10 A	
	250 Vdc	0.3 A	
	125 Vdc	0.6 A	
	48 Vdc	3 A	
	24 Vdc	5 A	



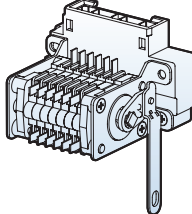
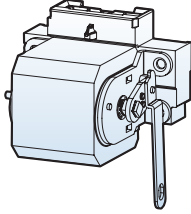
## Auxiliary switch [AX]



• It is a contact used to monitor ON/OFF position of ACB from remote place.

AUX. contact & charging types	
AX	Standard OFF charge 3a3b
AC	Standard ON charge 3a3b
BX	Standard OFF charge 5a5b
BC	Standard ON charge 5a5b
HX	High capacity OFF charge 5a5b
HC	High capacity ON charge 5a5b
CC	Standard ON charge 6a6b
JC	High capacity ON Charge 6a6b
GX	High capacity OFF charge 3a3b
GC	High capacity ON charge 3a3b

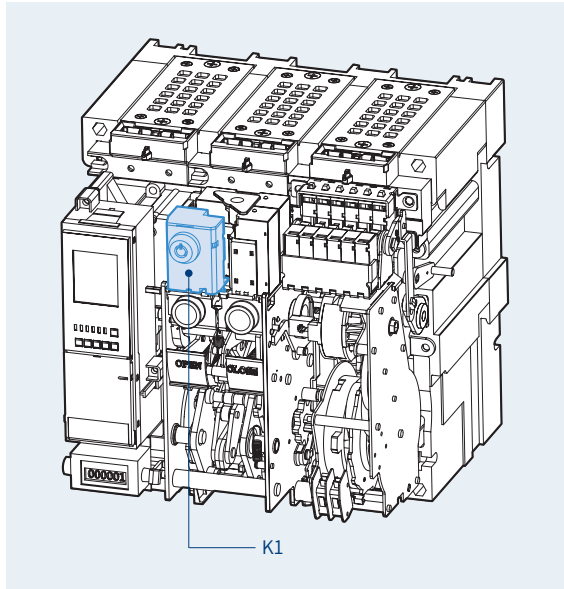
### Standard classification

Standard		High capacity	
2000, 5000AF	4000, 6300AF	2000, 5000AF	4000, 6300AF
			

Classification	Standard		High capacity		Remark		
	Resistive load	Inductive load	Resistive load	Inductive load			
Minimum current	DC24V, 5mA		DC5V, 1mA				
Contact capacity	AC	490V	5A	2A	5A	2.5A	
		250V	10A	6A	10A	10A	
		125V	10A	6A	10A	10A	
	DC	250V	0.3A	0.3A	3A	1.5A	
		125V	0.6A	0.6A	10A	6A	
No. of Contact that can be used	30V	10A	6A	10A	10A		
	AX	3a3b	-	-	-	Standard charging type	
	BX	5a5b	-	-	-		
	HX	-	-	5a5b	-		
	GX	-	-	3a3b	-		
	Rapid auto-reclosing charging type	AC	3a3b	-	-	-	
		BC	5a5b	-	-	-	
		CC	6a6b	-	-	-	
		HC	-	-	5a5b	-	
JC		-	-	6a6b	-		
GC	-	-	3a3b	-			

# Accessories

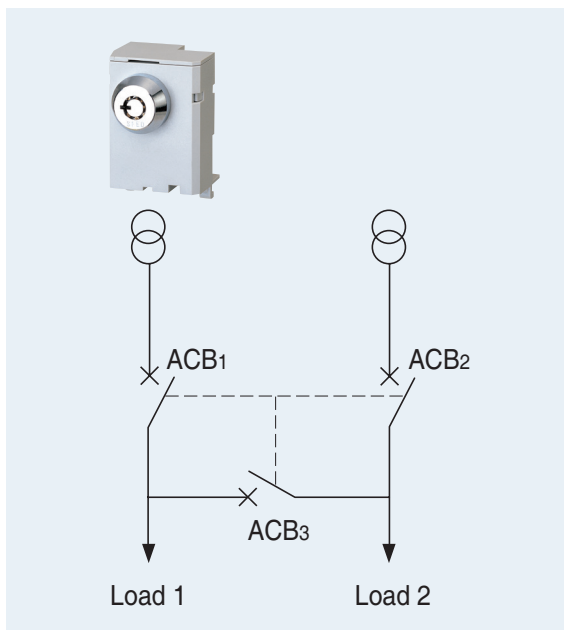
## Key Lock [K1]



- It is a device for locking which prevents a certain circuit breaker from being operated by user's discretion when two or more circuit breakers are used at the same time.
- K1: Preventing mechanical closing

## Key Interlock Set [K2]

### Wiring



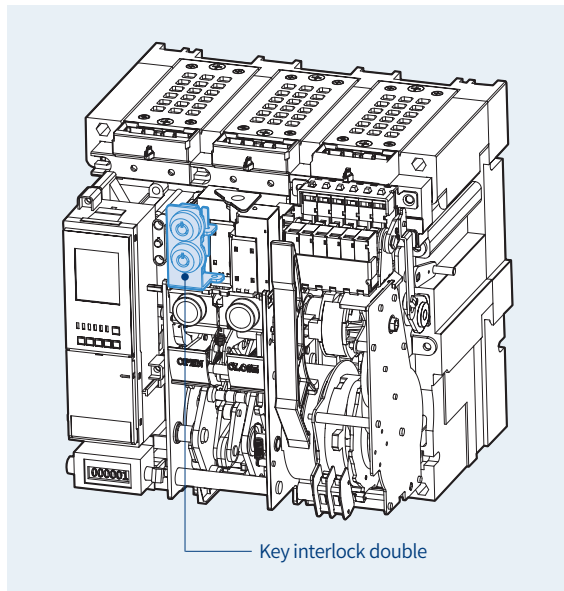
- 3 circuit breakers can be arranged for the continuous power supply to the load side and be interlocked mutually by using Key Lock embedded in each circuit breaker.

\* How to order: 3 breakers must be ordered as a set, and K2 description must be added to the additional breakers. (2 keys are provided per 3 breakers.)

ACB-1	ACB-2	ACB-3	Status	
			LOAD1	LOAD2
●	●	●	OFF	OFF
●	○	○	ON	ON
○	●	○	ON	ON
○	○	●	ON	ON
●	●	○	OFF	OFF
●	○	●	OFF	ON
○	●	●	ON	OFF

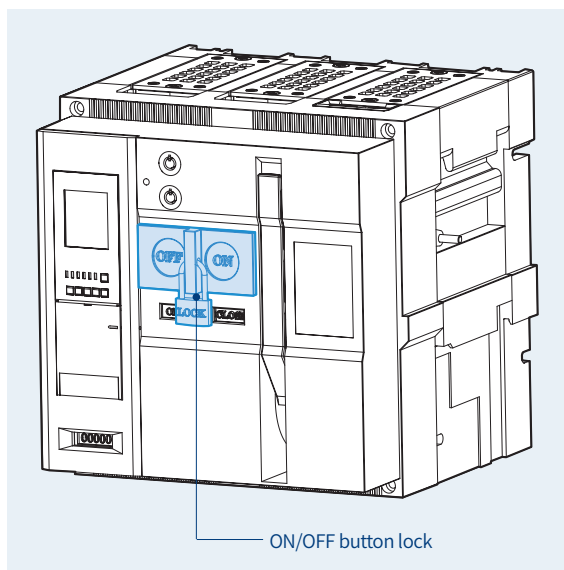
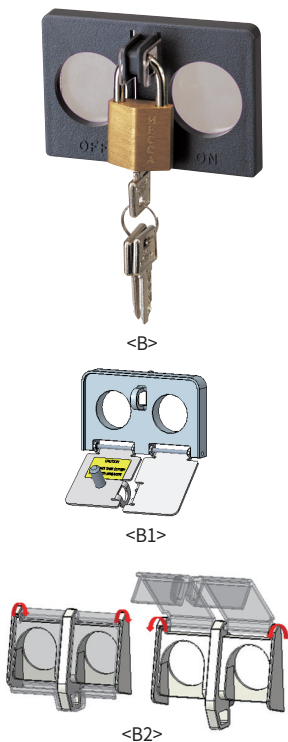
○: Release ●: Lock

## Double Key Lock [K3]



- When only two keys are released at the same time, circuit breakers operate. Handling method is same as K1.

## ON/OFF Button Lock [B, B1, B2]

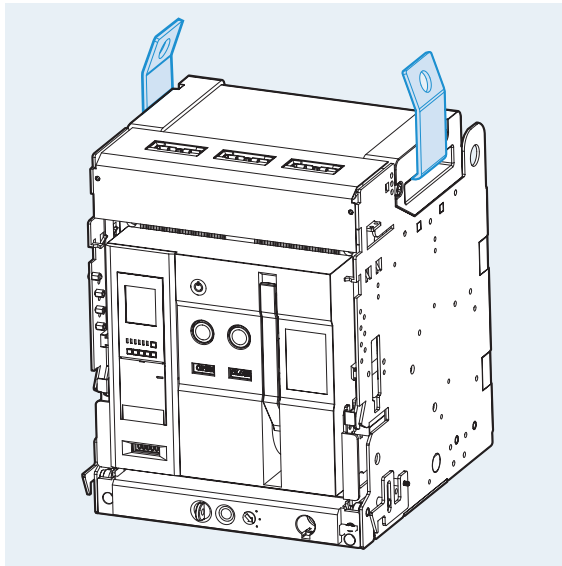


- It is to prevent manual operation of ACB's closing / tripping button due to user's unexpected action handling.
- It is impossible to handle ON / OFF operation under the "Button lock" status.
  - B type: Blocking the button when keylock activated with padlock
  - B1 type: Blocking the button and pushing 'OFF' button when keylock activated with padlock
  - B2 type: Blocking the button when keylock activated without padlock.

Note) Padlocks(Ø5 ~ Ø6) are not supplied.

# Accessories

## Lifting Hook [LH]



- It is a device to make an ACB easy to shift.
- Please hang it to both handles of the arc cover.

## Condenser Trip Device [CTD]



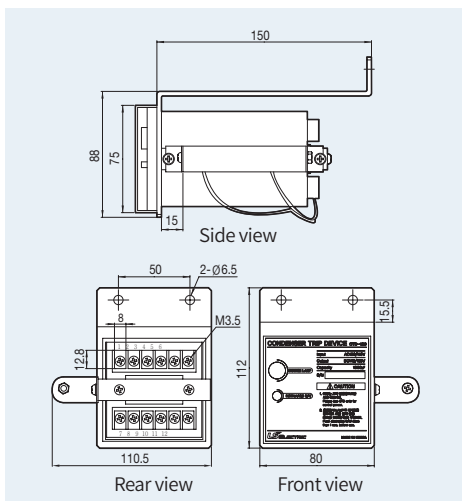
- It gets a circuit breaker tripped electrically within regular time when control power supply is broken down and is used with Shunt coil, SHT. In case there is no DC power, It can be used as the rectifier which supplies DC power to a circuit breaker by rectifying AC power.

### Ratings

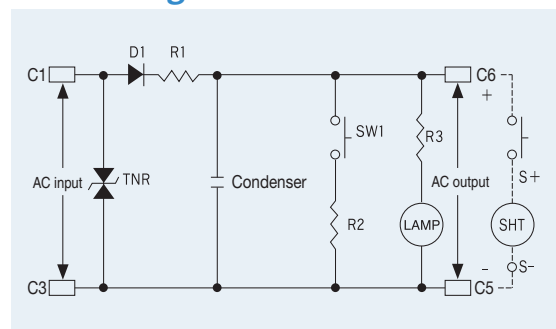
Ratings	Specification	
Model	CTD-100	CTD-200
Rated input voltage (V)	AC 100/110	AC 200/220
Frequency (Hz)	50/60	50/60
Rated charge voltage (V)	140/155	280/310
Charging time	Within 5s	Within 5s
Trip possible time	Over 3 min	Over 2 min
Range of Input voltage (%)	85~110	85~111
Condenser capacity	1000 $\mu$ F	560 $\mu$ F

### External dimension

Unit (mm)

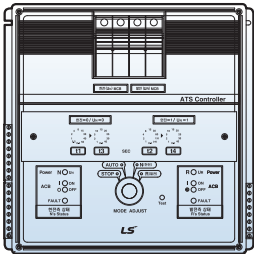


### Circuit diagram



----- User wiring

## Automatic Transfer Switch Controller [ATS]



### Ratings

Model type	ATSC-110	ATSC-220
Rated voltage	AC 110V	AC 220V
Voltage range	AC 93.5 (±5%) ~126.5V (±5%)	AC 187 (±5%) ~ 253V (±5%)
Frequency	50Hz/60Hz	
Power consumption (apparent power)	15.4W	
4-location switch (stop, N, R, Auto)	■	■
Time setting (t1~t4)	■	■
Fault function (OCR/Circuit breaker trouble)	■	■
Output contact (Auto, Load burden)	■	■

- t1: The delayed time from when UN (power supply of electric company) is tripped to when generator start-up signal contact is closed. (t1: 0.2, 0.5, 1, 2, 4, 8, 15, 30, 40, 50secs)
- t2: The delayed time from when UN is closed to when ACB2 is tripped. (t2: 0.2, 1, 2, 4, 8, 15, 30, 60, 120, 240secs)
- t3: The delayed time from when ACB1 is tripped to when ACB2 is closed. (t3: 0.5, 1, 2, 5, 10, 15, 20, 25, 30, 40secs)
- t4: The delayed time from when ACB2 is tripped to when ACB1 is closed. (t4: 0.5, 1, 2, 5, 10, 15, 20, 25, 30, 40secs)
- Stop-mode: This mode is for compulsory trip of ACB1(electric power company) or ACB2 (power station) when UN (power supply of electric power company) or UR (power supply of power station) is available.  
\*UN or UR should be kept in ON position
- N-mode: This mode is for compulsory closing of ACB1 when UN is available.  
\* it does not matter to be ON or OFF position of UR and if converting to N-mode while using UR, generator start-up signal contact is opened.
- R-mode: This mode is for compulsory closing of ACB2 during the use of UR regardless of that UN is available or not.
- Auto-mode: This mode is for transferring a circuit breaker automatically to available power supply of UN or UR. In short, it trips the circuit breaker where power supply is not available and it close the circuit breaker where power supply is available.



## Automatic Transfer Switch Controller [ATS]

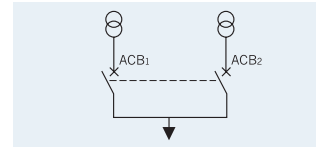
### Example

Two ACBs are connected (ATS controller is available)

If one of connected ACB is "ON" status, the other cannot be "ON" through the mechanical/electrical interlock.

• Status

ACB <sub>1</sub>	ACB <sub>2</sub>
OFF	OFF
ON	OFF
OFF	ON



• Bar type ATS: Applicable models for each frame.

Frame	Susol ACB	Metasol ACB
	AH	AS
OFF	20D3/20D4/40E3	20D3/20D4/40E3
OFF	32E4	40E4/50F3
OFF	63G3	50E4/63G3
OFF	63G4	63G4

• Wire type

It is possible to interlock between devices without ampere frame and Number of Poles.

The standard type(2 ACBs) provides 2m wire. In case of special type(3 ACBs) provides 2.3m wires.

• Dimension of ATS is page 136 to 140.

• The control circuit of ATS controller is page 112 to 113.



<Wire Type>

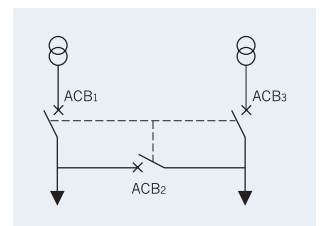
<Bar Type>

Three ACBs are connected(ATS controller is not available)

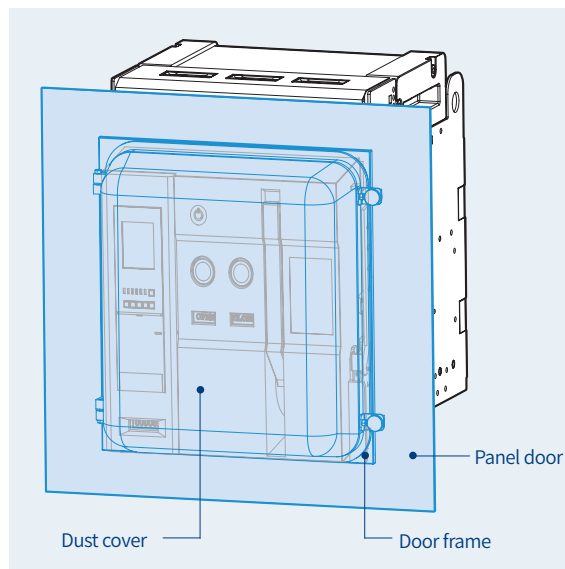
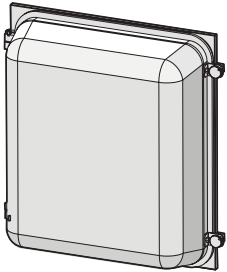
If any two of connected ACB is "ON" status, the other cannot be "ON" through the mechanical/electrical interlock.

• Status

ACB <sub>1</sub>	ACB <sub>2</sub>	ACB <sub>3</sub>
OFF	OFF	OFF
ON	OFF	OFF
ON	ON	OFF
OFF	ON	ON
OFF	OFF	ON
OFF	OFF	ON

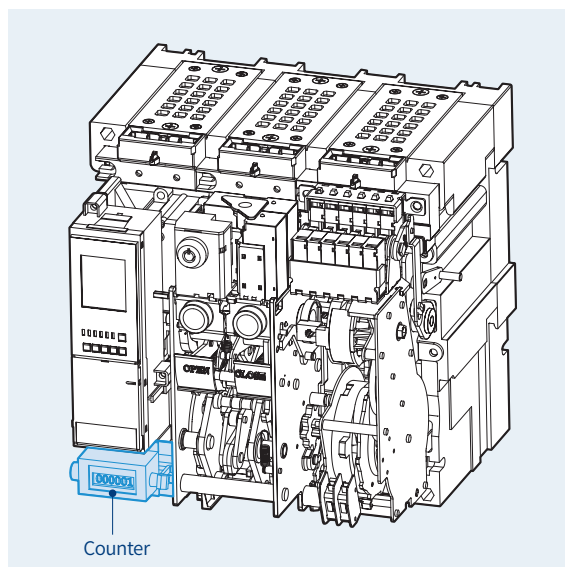


## Dust Cover [DC]



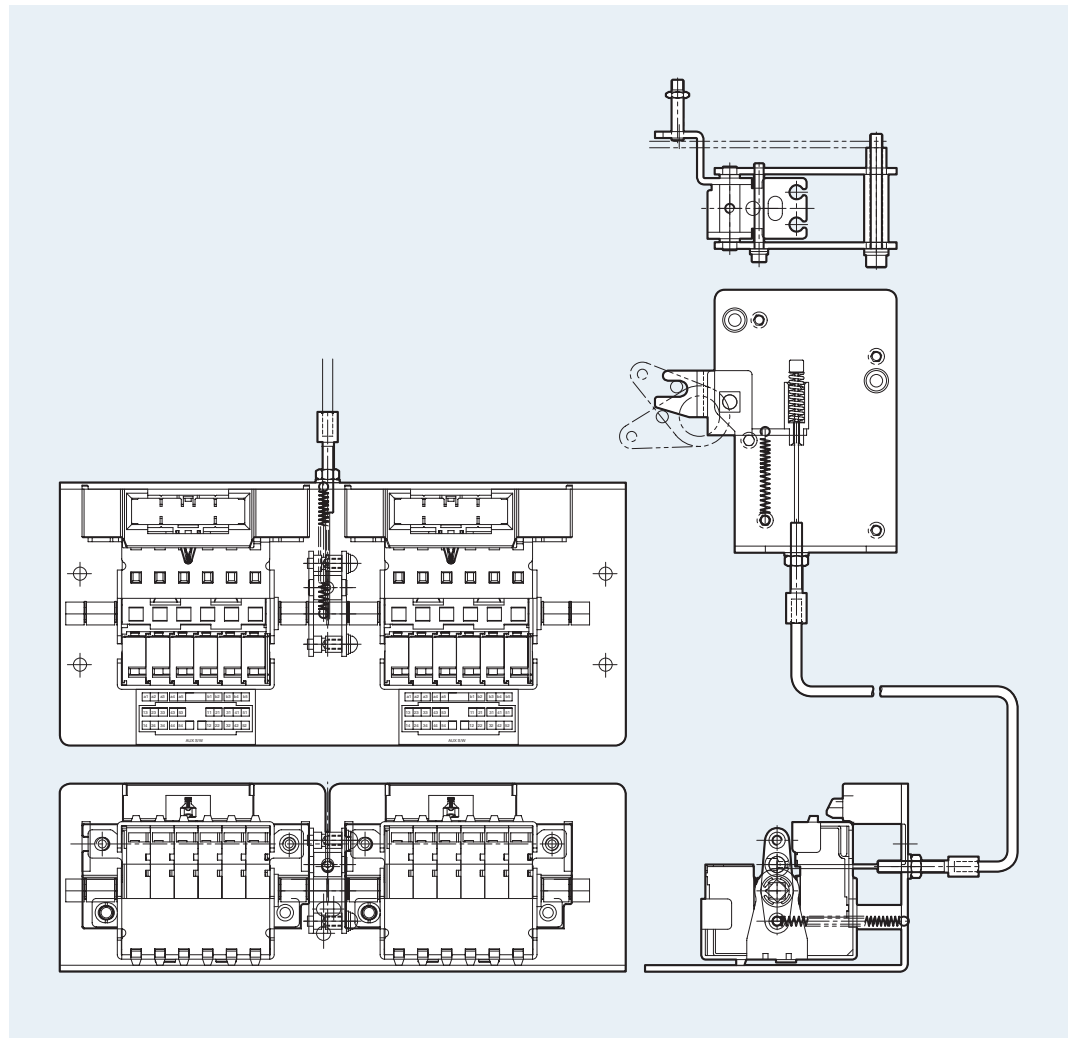
- Attach it to the door frame.
- It protects the product dust and moisture that may affect the operation of the instrument at the same time (IP54) which may cause fault operation and enhances the sealing degree by being mounted to protrude type of panel.
- It is transparent so that the front side of ACB is visible and the Cover can be opened / closed even if ACB is drawn out to until TEST position.

## Counter [C]



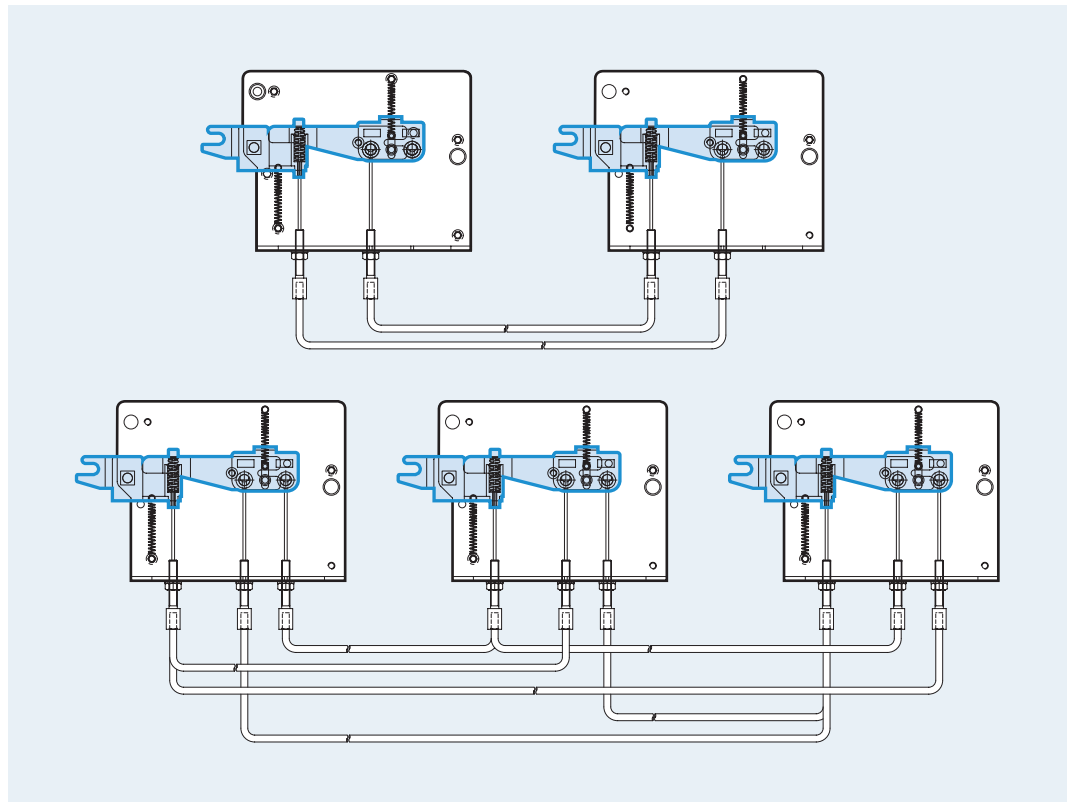
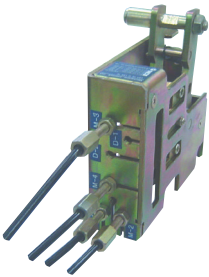
- It displays the total number of ON / OFF operation of ACB.

## Mechanical Operated Cell Switch [MOC]



- It is the contact (10a10b) which displays the ON / OFF condition of ACB.  
It mechanically operates only when the breaker is “CONNECTED” position.  
A standard type and a high capacity type is available.
- The contact capacity is as same as the ratings of aux. contacts.
- When MOC link is installed to cradle, MOC can be equipped with the inside of panel.

## Mechanical Interlock [MI]

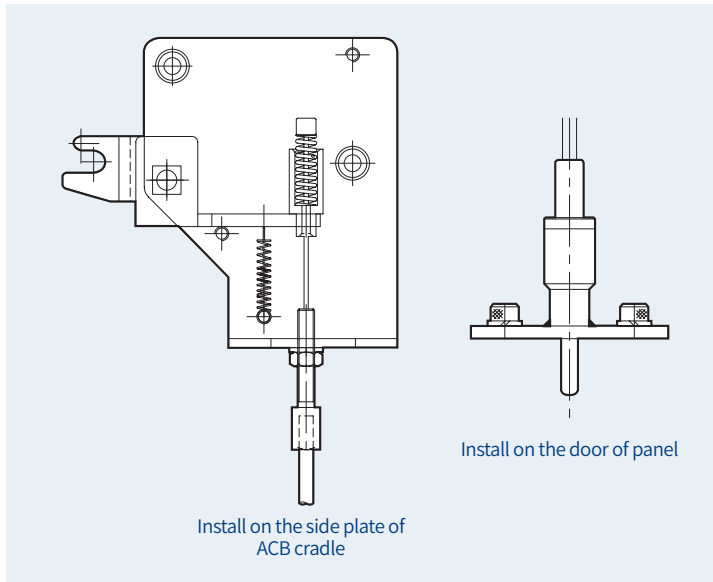


- It is used to interlock closing and trip between two or three breakers mechanically so as to prevent unintended operation at the same time.
- Wire type interlock can be applied upto 3 breakers

# Accessories

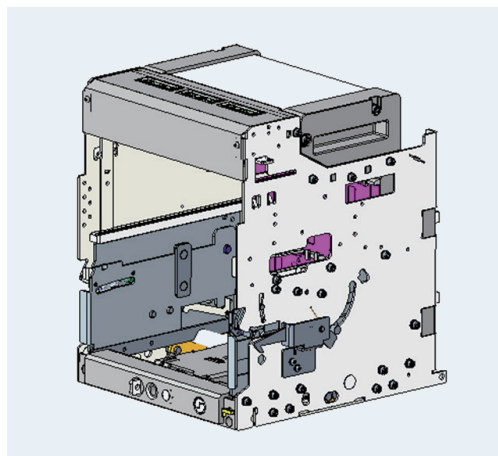
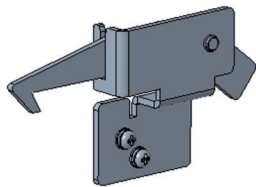
## Door Interlock [DI]

### Normal type



• It is a safety device which does not allow the panel door to open when a circuit breaker is in the "ON" position.

### Catch type



• Door interlock catch type is installed to cradle which allow to open panel door when the breaker is on the 'Disconnected' position.

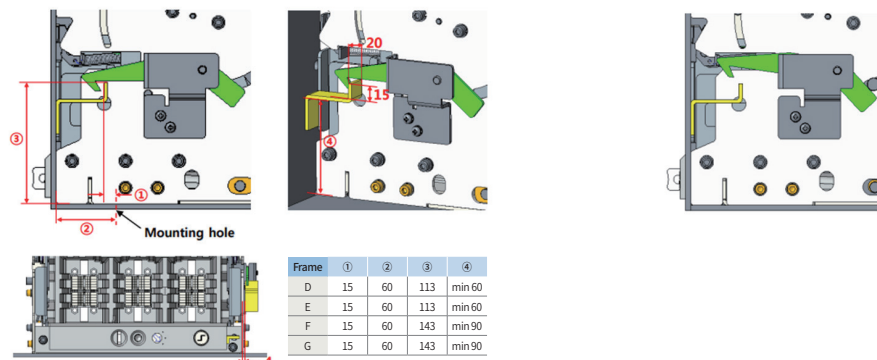
Circuit breaker	Disconnected	Test	Connected
Panel door	Open	Close	Close

• It is possible to choose Left/Right type which depends on the door direction.

### Catch type guide

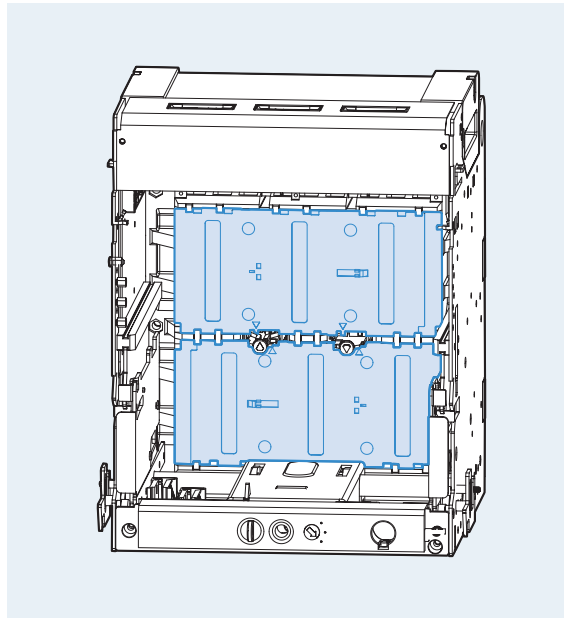
1. The panel door will not be open when the circuit break in on the 'Test' or 'Connected'.

2. The panel door will be open when the circuit break in on the 'Disconnected'









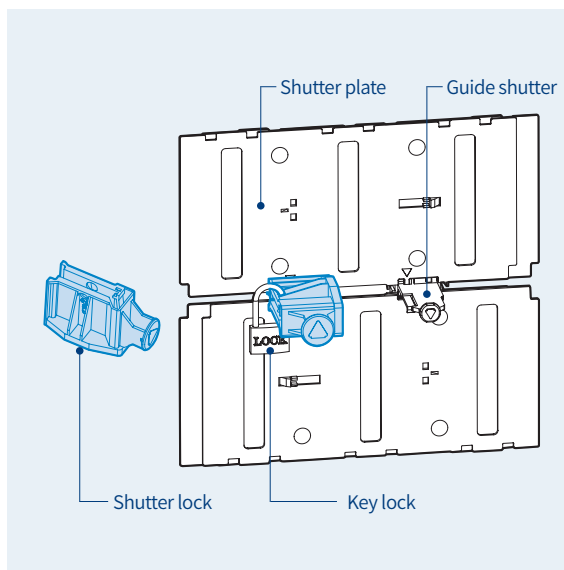
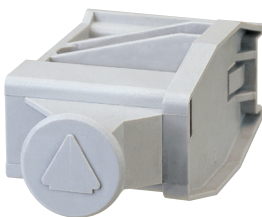
## Safety Shutter [ST]



- It is the automatic safety device to protect the connectors of main circuit by cutting off dangerous contact from outside while the breaker is drawn out. When the ACB is drawn in, the shutter is automatically opened.
- There are 4 types of Safety Shutter and they are divided as shown in figure below.

The types of safety shutter plate	
2000 / 5000AF, 3P	4000 / 6300AF, 3P
	
2000 / 5000AF, 4P	4000 / 6300AF, 4P
	

## Safety Shutter Lock [STL]



- It is a locking device which prevents safety shutter from being opened when it is closed.
  - If shutter lock is connected with guide shutter, the guide shutter can not be pushed structurally. Thus, it is not available to open the safety shutter.

Note) Padlocks (Ø5 - Ø6) are not supplied.

# Accessories

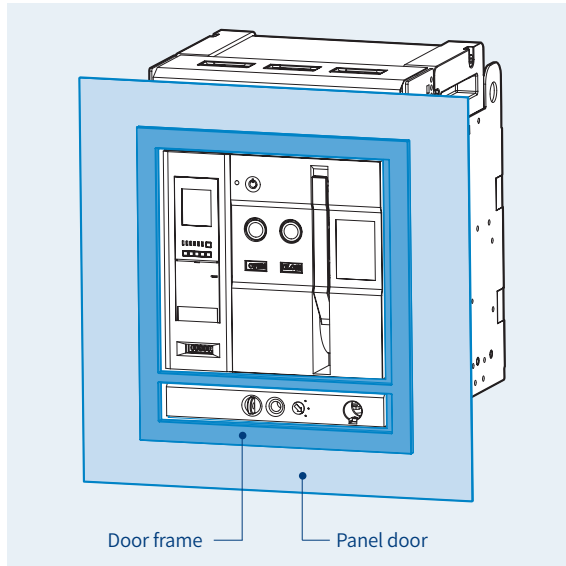
## Door Frame [DF]



Fixed type

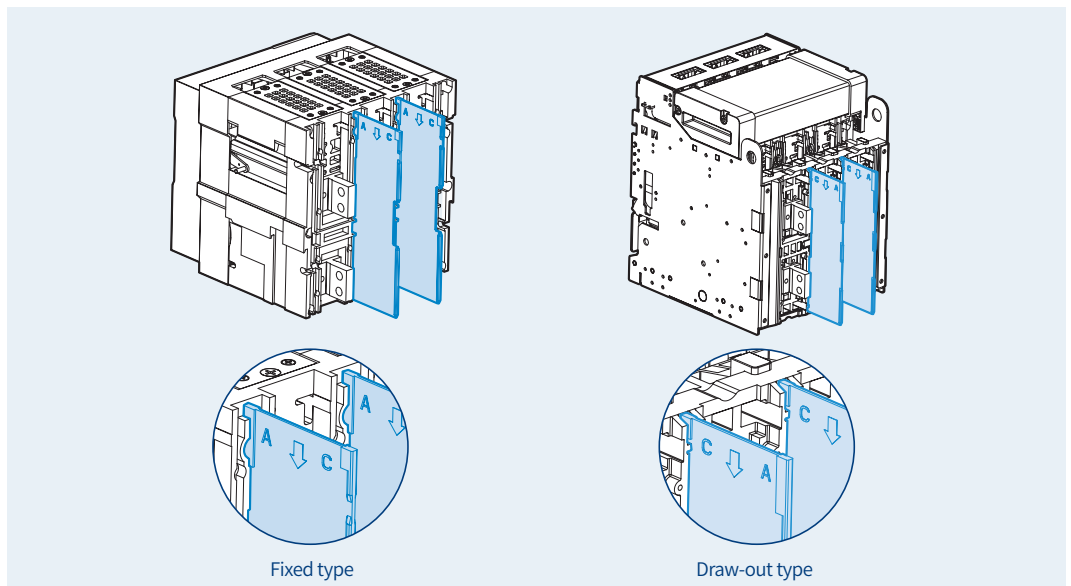


Draw-out type



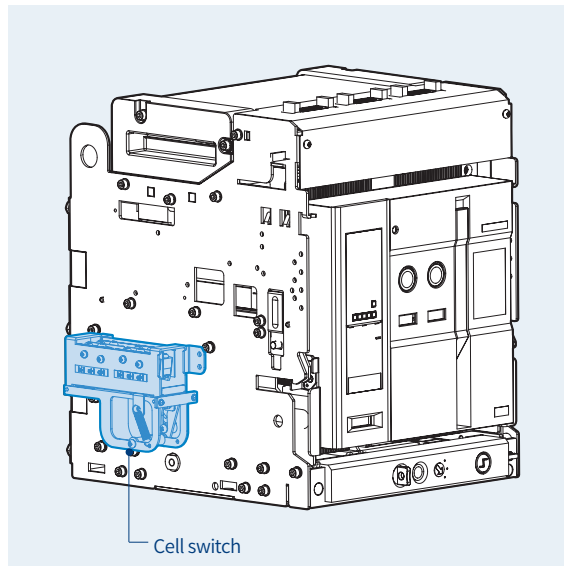
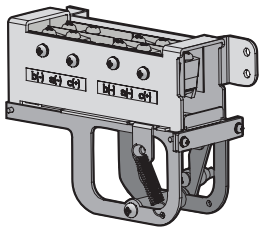
- When structuring the embedded type of ACB panel, it protects the protrude front of ACB and the cutting side of panel door by attaching it to the panel door.

## Interphase Barrier [IB]



- Interphase barrier prevents the arc which may arise and result in short-circuit between phases in advance
- As “C” stands for “CRADLE”, install the Interphase barrier in the direction of “C” in case of Draw-out type.
- As “A” stands for “ACB main frame”, install the Interphase barrier in the direction of “A” in case of Fixed type.

## Cell Switch [CEL]



- It is a contact which indicates the present position of ACB. (CONNECTED, TEST, DISCONNECTED)

<Contact configuration>

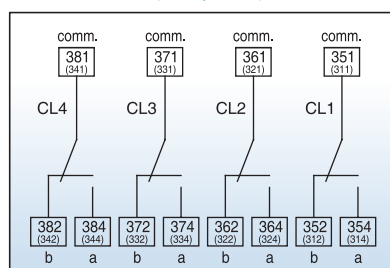
4C: 1Disconnected +1Test +2Connected

8C: 2Disconnected +2Test +4Connected

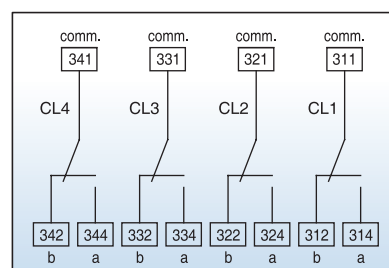
※ Contact configuration can be changeable if necessary.

ACB position		DISCONNECTED		CONNECTED	
Draw-in and draw-out position		DISCONNECTED	TEST	CONNECTED	
Contact operation	CL-C (Connected)	OFF	OFF	ON	
	CL-T (Test)	OFF	ON	OFF	
	CL-D (Disconnected)	ON	OFF	OFF	
Contact capacity	Voltage(V)	Resistive load		Inductive load	
		AC	460V	5	2.5
			250V	10	10
	DC	125V	3	1.5	
		125V	10	10	
		30V	10	10	
Contact number		4C			

## Terminal (4C, 8C)

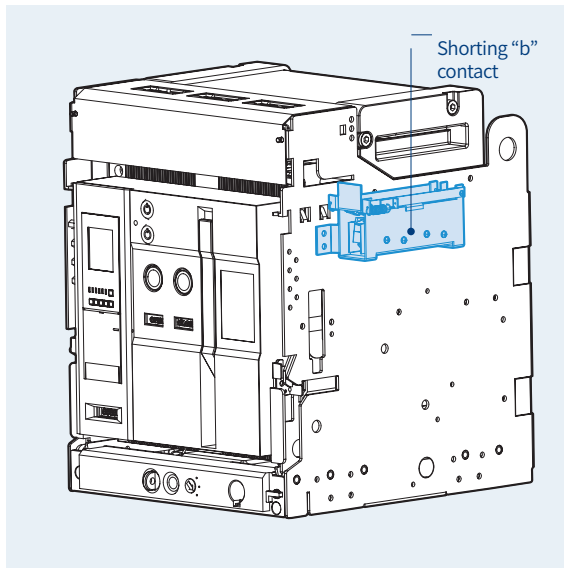
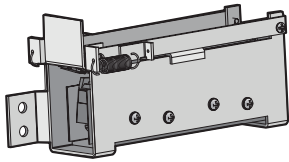


4C attached to the right side of cradle



4C attached to the left side of cradle

## Shorting “b” Contact [SBC]



- It is the contact which keeps the external control circuit in normal by Aux. contact which disconnects “Axb” when ACB is moved from CONNECTED position to TEST position. The number of “shorting b-contact” corresponds to the number of “Axb” (4b)

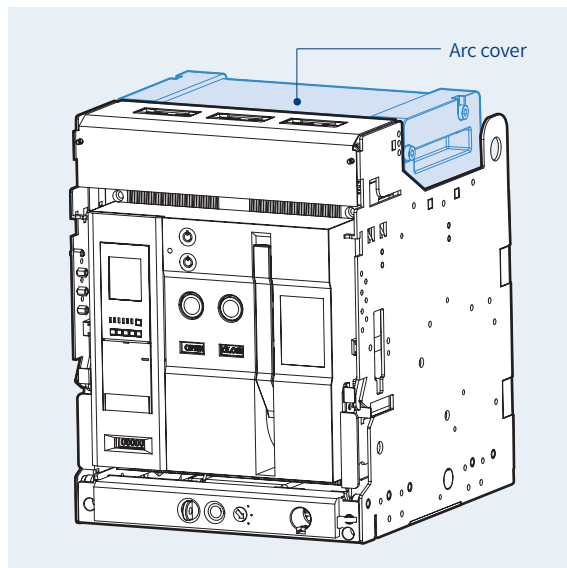
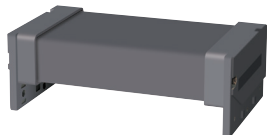
### Contact condition (Link between Axb and shorting “b” contact)

ACB position \ ACB condition	Close position [Auxiliary contact(Axb):OFF]	Open position [Auxiliary contact(Axb):ON]
Connected position (Shorting b contact : OFF)	Axb  SBC	Axb  SBC
Test position (Shorting b contact : ON)	Axb  SBC	Axb  SBC

## Front connection terminal types

Connection type	Code	Description	Breaker
Front connection/Standard	62363461507	SUB ASS'Y, ADAPTER KIT ASS'Y_FRONT, AN/AS/AH-D3	D3-Frame
Front connection/Standard	62363462510	SUB ASS'Y, ADAPTER KIT ASS'Y_FRONT, AN/AS/AH-D4	D4-Frame
Front connection/Standard	62363463507	SUB ASS'Y, ADAPTER KIT ASS'Y_FRONT, AN/AS/AH-E3	E3-Frame
Front connection/Standard	62363464512	SUB ASS'Y, ADAPTER KIT ASS'Y_FRONT, AN/AS/AH-E4	E4-Frame
Front connection/Mixed	62363461508	SUB ASS'Y, ADAPTER KIT ASS'Y_F&V/H, AN/AS/AH-D3	D3-Frame
Front connection/Mixed	62363462511	SUB ASS'Y, ADAPTER KIT ASS'Y_F&V/H, AN/AS/AH-D4	D4-Frame
Front connection/Mixed	62363463506	SUB ASS'Y, ADAPTER KIT ASS'Y_F&V/H, AN/AS/AH-E3	E3-Frame
Front connection/Mixed	62363464511	SUB ASS'Y, ADAPTER KIT ASS'Y_F&V/H, AN/AS/AH-E4	E4-Frame

## Zero Arc Space [ZAS]



• Arc which may arise while breaking fault current is extinguished first by Arc chute in main body of circuit breaker and then completely extinguished by Arc cover.

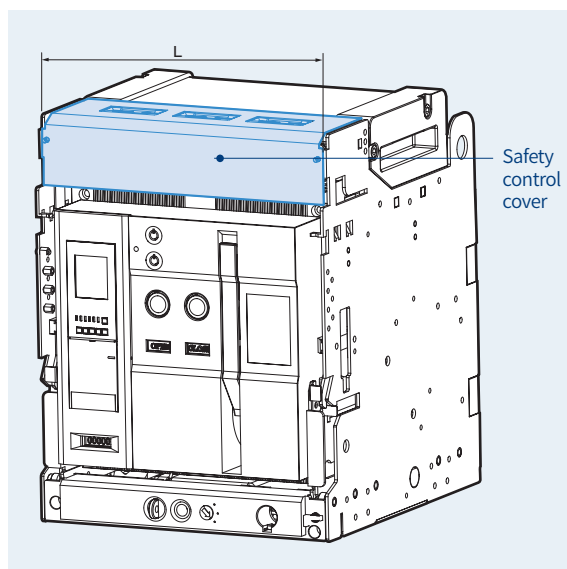
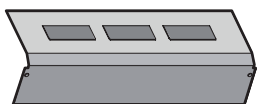
By preventing arc from exposing to the outside, it protects itself from all kinds of accidents.

• It is categorized into 8 types by ratings and poles.

Ampere frame	Cover length (mm)
2000AF 3P	281.4
2000AF 4P	366.4
4000AF 3P	359.4
4000AF 4P	474.4
5000AF 3P	576.4
5000AF 4P	746.4
6300AF 3P	732.4
6300AF 4P	962.4

\* Zero Arc Space is only applicable for withdrawable type.

## Safety Control Cover [SC]



• It protects control termina which exposes to the outside, and prevents the damages resulted from foreign substances.

• It is categorized into 8 types by ratings and poles.

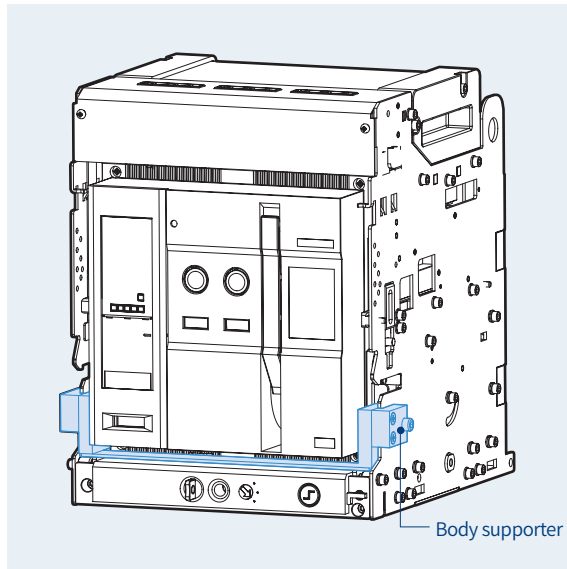
Ampere frame	Cover length (mm)
2000AF 3P	334
2000AF 4P	419
4000AF 3P	412
4000AF 4P	527
5000AF 3P	629
5000AF 4P	799
6300AF 3P	785
6300AF 4P	1015

• It is available only when the control block is in the mode of auto-connection.



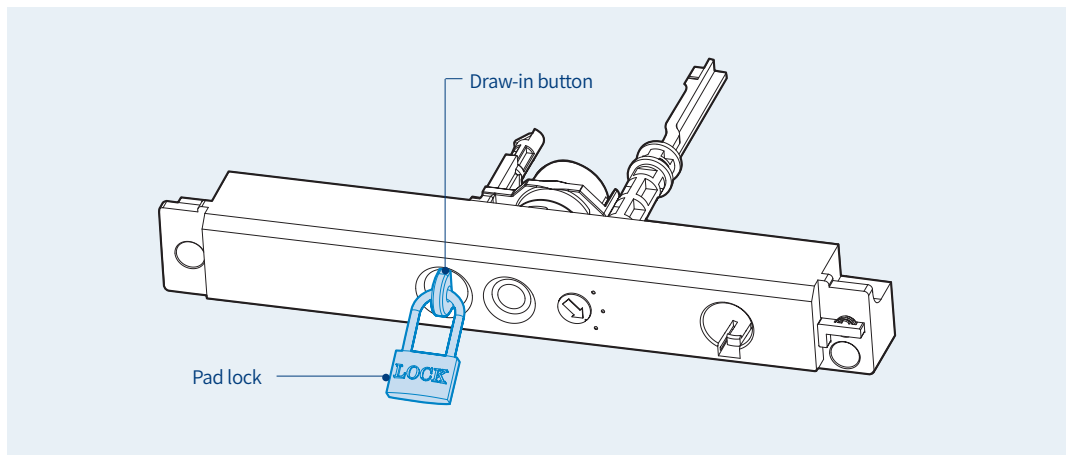
# Accessories

## Body Supporter [BSP]



- It interlocks the main body of circuit breaker and cradle mechanically to fix the former in connected position.  
Therefore, all draw-in/outs are not available.

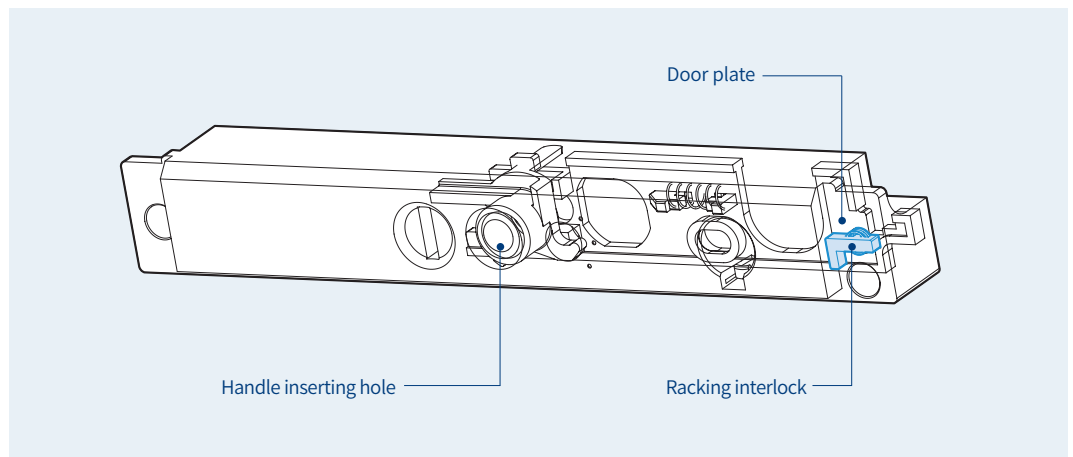
## Pad Lock / Position Lock [PL]



ACB is subject to restriction regarding moving in connected, test, disconnected when drawing in or out. If main body of ACB is placed in 3 positions, it is locked and stopped when drawing in or out.

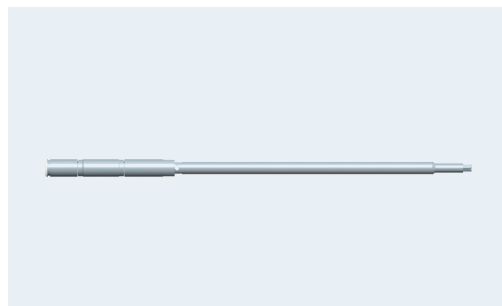
- As shown in the figure, if draw-in / out button pops out, it means locking is operating.
- To continue Draw-in / out operation, release lock by pushing Draw-in / out button
- In case it is locked as shown in the figure above, main body of ACB can not be drawn in or out into the cradle.
- For the lock device, user has to purchase it. (Ø5 ~ Ø6)

## Racking Interlock [RI]



- When panel door is opened, Draw in / out handle doesn't be inserted.  
Thus, panel handle can be inserted only when panel door is closed.

## Handle [Long type]

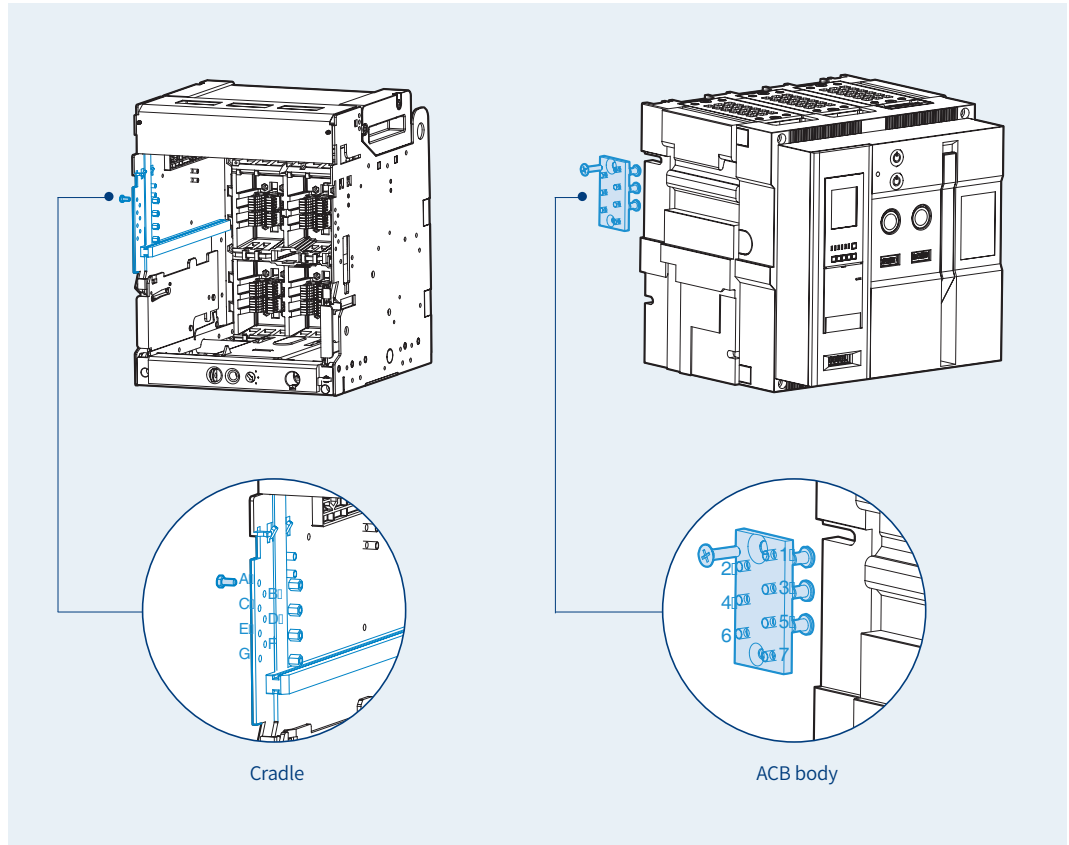


Order No. : 55223460402  
Description : HANDLE ASS'Y, DRAW, LONG



Order No. : 55223460404  
Description : HANDLE ASS'Y, DRAW, LONG, AL-D, E, F, G, H, YX

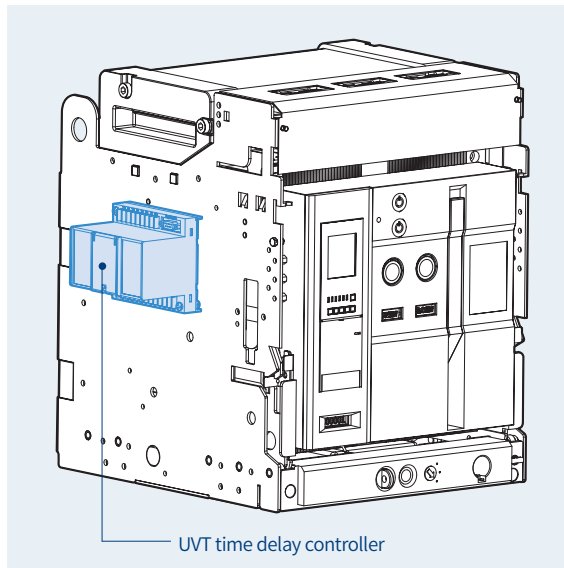
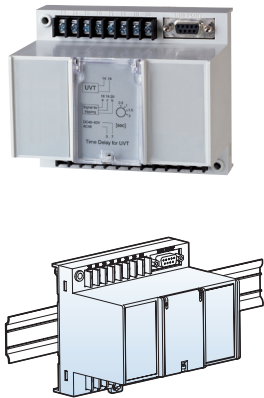
## Miss Insertion Prevent Device [MIP]



- When the main body of ACB is inserted to the cradle, if the ratings of ACB does not match with cradle, it mechanically prevents ACB from being inserted into cradle of ACB.
- The installation method is variable according to ratings.

Cradle	ACB	Cradle	ACB	Cradle	ACB	Cradle	ACB
ABCD	567	ADEF	237	ABEG	346	BCEG	146
ABCE	467	ADEG	236	ABFG	345	BDEF	137
ABCF	457	ADFG	235	ACDE	267	BDEG	136
ABCG	456	AIEFG	234	ACDF	257	BDFG	135
ABDE	367	BCDE	167	ACDG	256	CDEF	127
ABDF	357	BCDF	157	ACEF	247	CDEG	126
ABDG	356	BCDG	156	ACEG	246	CEFG	124
ABEF	347	BCEF	147	ACFG	245	DEFG	123

## UVT Time Delay Controller [UDC]



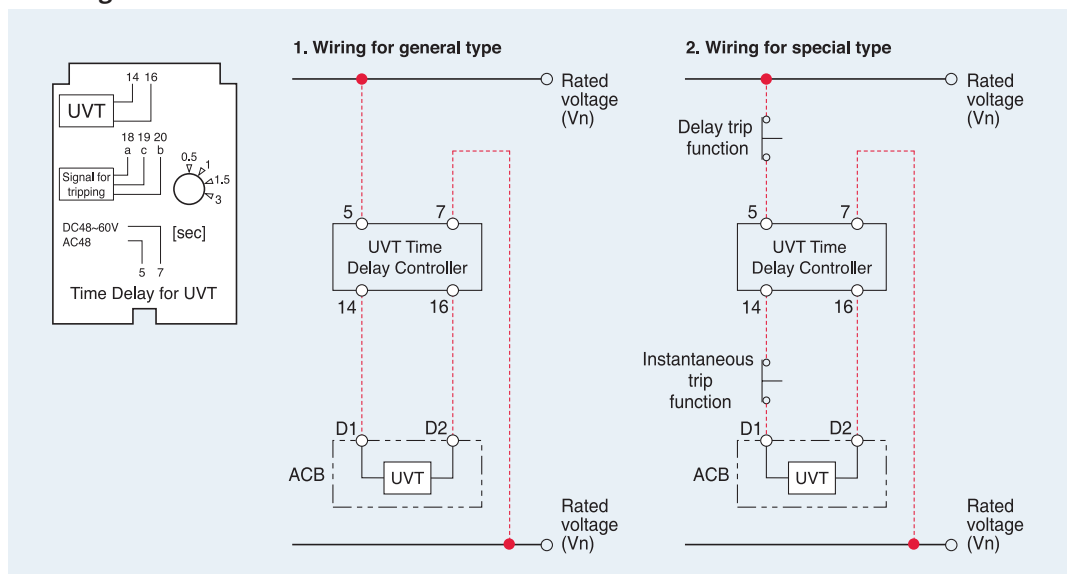
- UVT is a device which makes ACB tripped automatically to prevent the accident on load side due to under voltage or power breakdown.  
There are two types, Instantaneous type and time delay type.
- It can be installed on the rail or to the cradle.
- Instantaneous type: only available with UVT coil.
- Time delay type: available by connecting UVT coil and UVT time delay controller.
- Common use for the all types.

### ■ The rated voltage and characteristic of UVT time delay controller

Rated voltage (Vn)		Operating voltage range (V)		Power consumption (VA or W)		Trip time (s)
DC (V)	AC (V)	Pick up	Drop out	Inrush	Steady-state	
48~60	48	0.65~0.85 Vn	0.4~0.6 Vn	200	5	0.5, 1, 1.5, 3
100~130	100~130					0.5, 1, 1.5, 3 (For 200V: 0.5, 1, 3, 5)
200~250	200~250					0.5, 1, 1.5, 3
-	380~480					0.5, 1, 1.5, 3

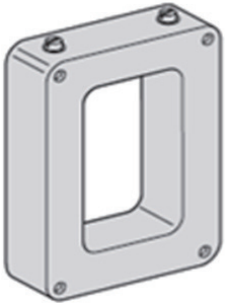
Note) 1. Operating voltage range is the min. rated standard for each rated voltage (Vn).  
2. It will operate on time when the power is supplied enough to the UDC over the set of trip time.

### ■ Wiring



\* The wiring presented with red color should be set by users.

## NCT (external Neutral Current Transformer)



The NCT(Neutral CT) allows to use following protecting functions when using 3-pole circuit breaker in WYE connection(3-phase, 4-line Y-line).

- Overload protection of neutral phase
- Residual Earth Fault protection

*Note) The 4-pole circuit breaker does not need to this accessory because of the NCT is already included.*

### ■ Application (OCR type) :

OCR Type	Communication & Function
AN	Ground fault (External NCT) + Comm.
PO	L,S, I, G + Neutral CT
SO	L,S, I, G + Neutral CT

### How to wire

See wiring diagram(page 79) before wiring.

The ACB may malfunction when the NCT wires incorrectly.

The wiring cable of NCT should satisfy the conditions below

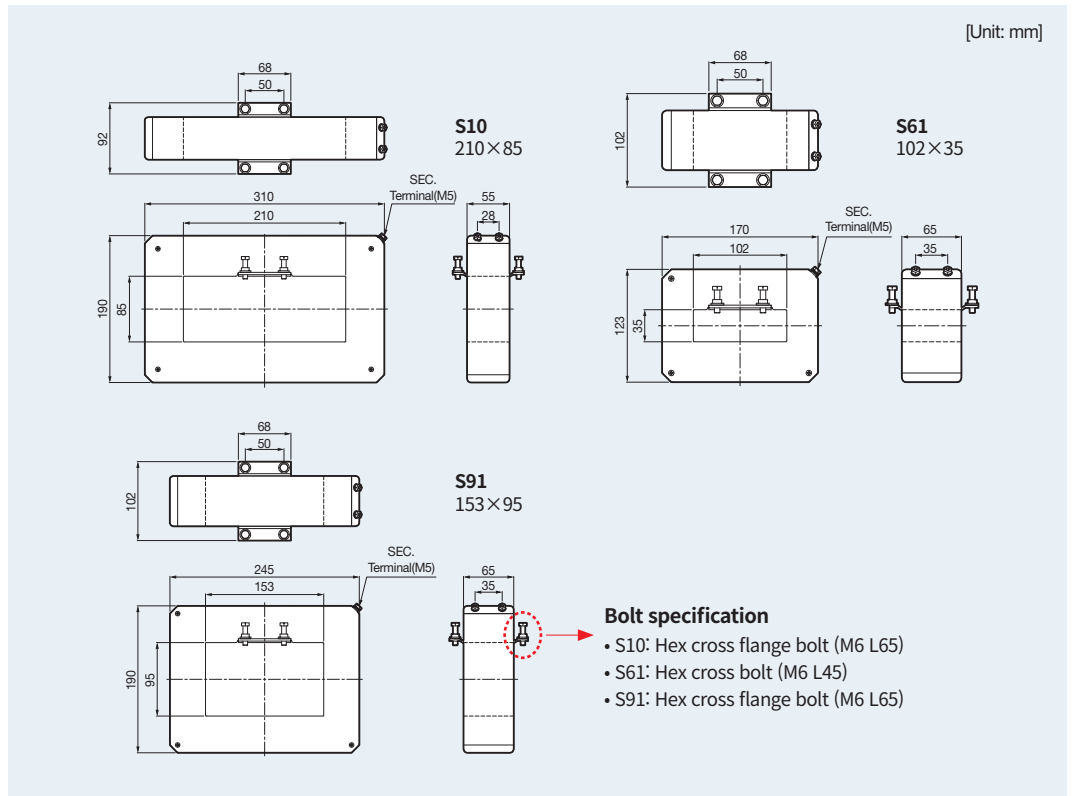
- Unshielded cable with 1 twisted pair
- Shielding connected to GND on one end only
- Maximum length 5 meters
- Cable cross-sectional area between AWG 16 to 20 (0.5mm<sup>2</sup> to 1.25mm<sup>2</sup>)

### ■ Specification and ordering codes for NCT

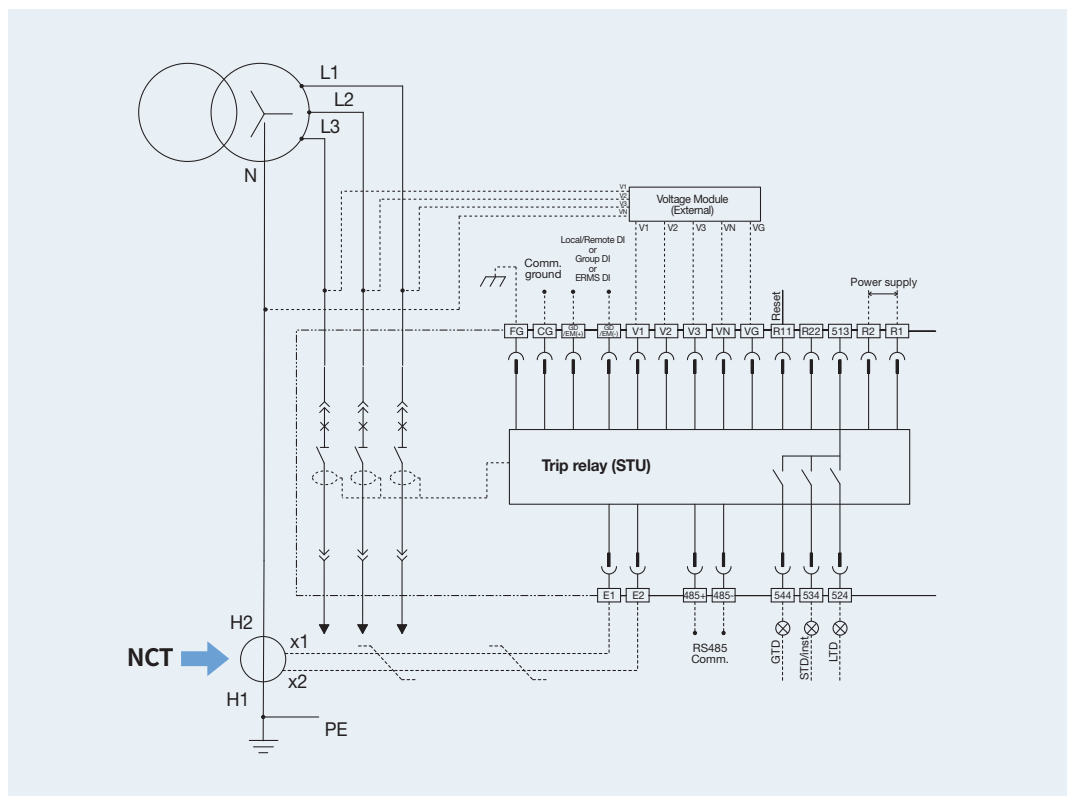
Standard	Code	CT spec.			
		CT ratio	Burden	Frequency	Part size
IEC	76313460039	400 / 5A	5VA	50 / 60Hz	S91
	76313460023	600 / 5A	5VA	50 / 60Hz	S91
	76313460024	630 / 5A	5VA	50 / 60Hz	S91
	76313460025	800 / 5A	5VA	50 / 60Hz	S91
	76313460026	1000 / 5A	5VA	50 / 60Hz	S91
	76313460027	1200 / 5A	5VA	50 / 60Hz	S91
	76313460028	1250 / 5A	5VA	50 / 60Hz	S91
	76313460029	1600 / 5A	5VA	50 / 60Hz	S91
	76313460030	2000 / 5A	5VA	50 / 60Hz	S91
	76313460031	2500 / 5A	5VA	50 / 60Hz	S91
	76313460032	3000 / 5A	5VA	50 / 60Hz	S10
	76313460033	3200 / 5A	5VA	50 / 60Hz	S10
	76313460034	3600 / 5A	5VA	50 / 60Hz	S10
	76313460035	4000 / 5A	5VA	50 / 60Hz	S10
	76313460036	5000 / 5A	5VA	50 / 60Hz	S10
	76313460037	6000 / 5A	5VA	50 / 60Hz	50 / 60Hz
	76313460038	6300 / 5A	5VA	50 / 60Hz	50 / 60Hz



NCT dimensions



NCT installation circuit diagram



# Accessories



## i-Tester

The i-Tester (Intelligent Tester) is an accessory to test-drive ACB/MCCB. As a stand-alone type, it not only performs various relay tests such as manual/auto/user tests, but also has various functions such as self-calibration function, device information setting, relay setting, and device status checking. In addition, it supports 256 × 128 graphic LCD and supports not only English but also Chinese and Russian languages. It has the function to output the test and test results in the same way using the upper Manager S/W.

### Features

- **Calibration function**
  - The calibration function of i-Tester is used to calibrates the error using the output value set in i-Tester and the measurement current data.
- **Device H/W setting function**
  - It consists of the part to set the system configuration and time of the device and the part to set the language and time of the i-Tester it self.
- **Relay setting function**
  - It consists of the part to check the current relay element of the device and the part to set the relay.
- **Relay test**
  - As a part for testing the relay, it is composed of manual/automatic/user tests so that various relay tests can be conducted.
- **Control function**
  - It provides a function to clear or reset the device data and to control DO and CB.
- **System information**
  - It consists of the device information, relay status, and tester system information.
- **Test history**
  - It consists of a part to check the test history stored in i-Tester and a part to delete the saved history information.

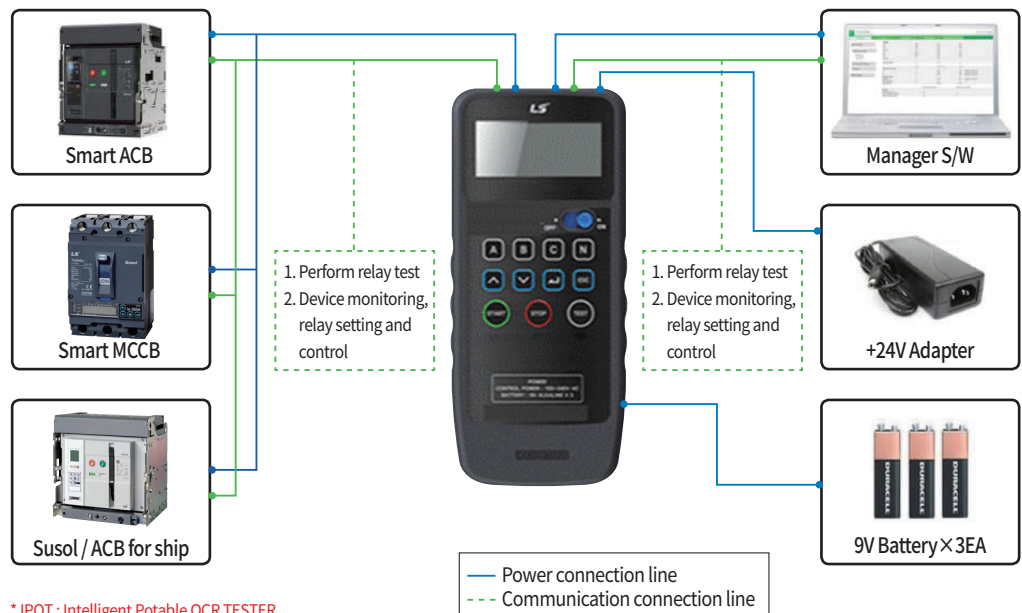
### Specification

Type	Details
Model name	IPOT
Rated voltage	DC24V adapter, 9V alkaline battery 3EA, USB or rechargeable battery (10000mAH or more)
HMI	Graphic LCD module( 256 × 128 Graphic LCD)
Supported language	English, Chinese, Russian
Key functions	<ul style="list-style-type: none"> <li>· Device information checking function (information, DI, DO, self-diagnosis)</li> <li>· Relay and H/W information setting function</li> <li>· Device control and reset function</li> <li>· Relay test function                             <ul style="list-style-type: none"> <li>- Manual/auto/user test function</li> </ul> </li> <li>· Test history storage (up to 255) and output (PDF) function</li> </ul>
LCD composition	Navigation TREE configuration for all
Size	98(W) × 210.5(H) × 43.5(D), unit : mm

Exterior description

Type	Details
① Power switch	Power On/Off function
② LCD	256×128 graphic LCD
③ KEY PAD	Menu navigation, setting and operation buttons
④ Adapter terminal	DC24V power input terminal
⑤ USB terminal	USB communication connection terminal (USB2.0)
⑥ Signal port	Signal terminals for device testing
⑦ Battery	Equipped with 9V alkaline batteries (×3ea)

Device usage example



Target device

Circuit breaker	Smart ACB(STU), Susol/Metasol ACB(OCR), Smart MCCB, TS1600
-----------------	--

# Accessories

## TRIO



This device is a device used to monitor ACB status, remote open/close operation control and temperature measurement by being installed on the LV panel or distribution panel. It is also capable of expanding DI/DO through communicating with DTR.

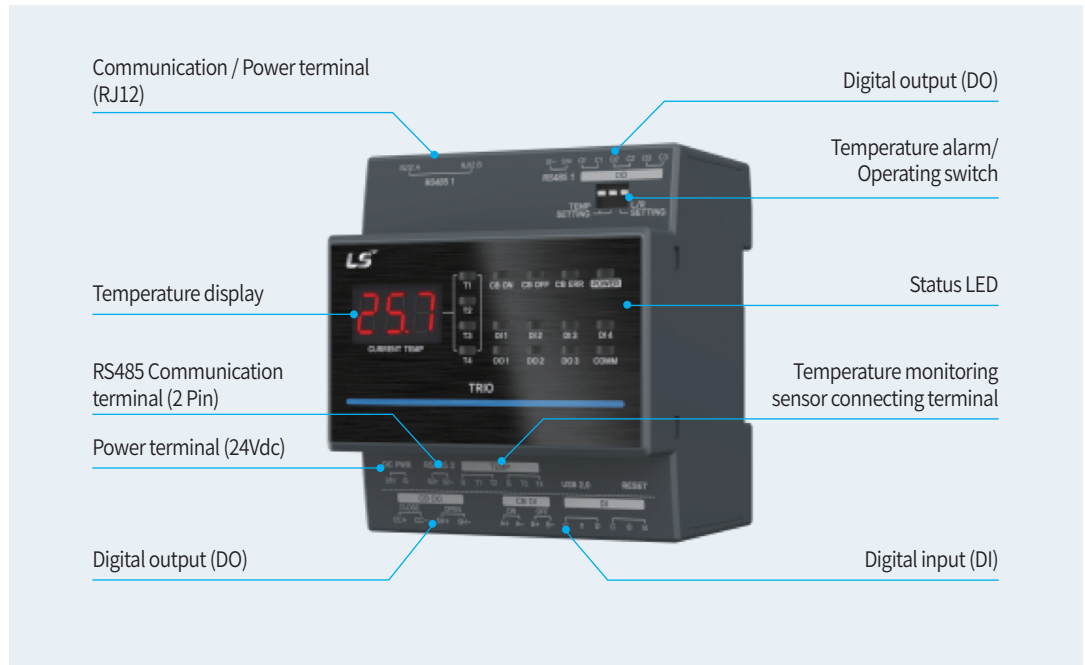
### Characteristic

- Monitoring the temperature by using external temperature sensor.
- Monitoring the ACB status through the built-in function of DI/DO expansion.
- Compare with old TRIO, the number of DI/DO contact increased.
- Temperature display improved to 7S-egment level.

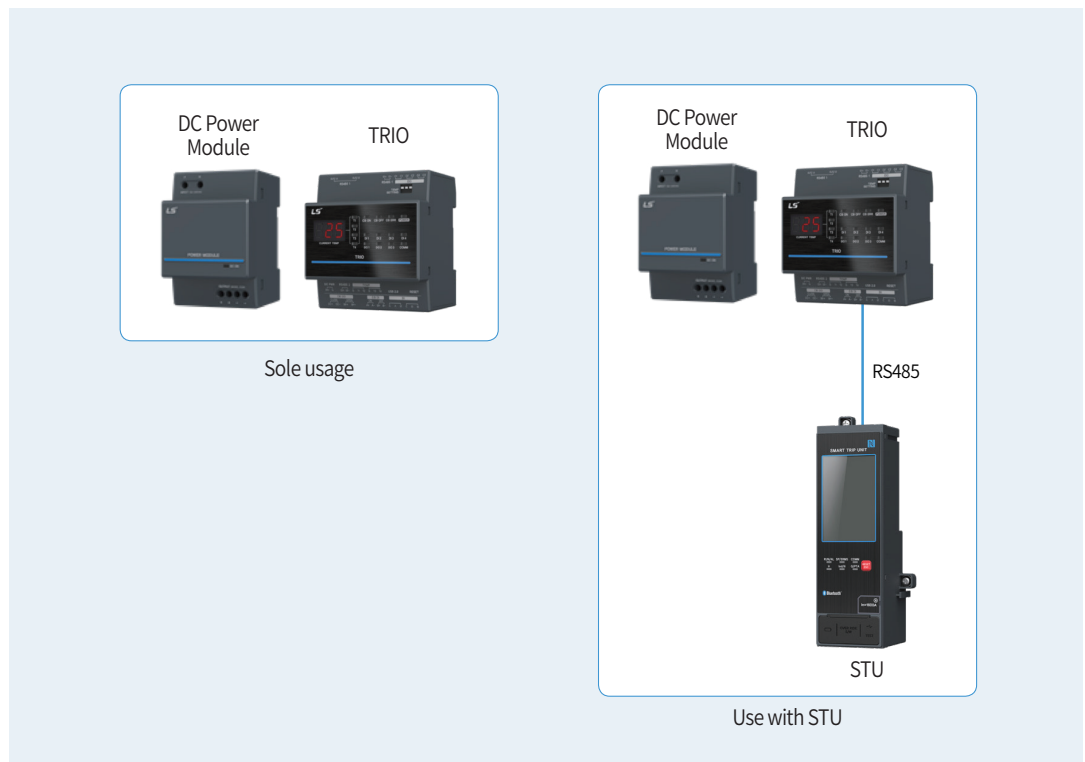
### Rating

Item	Description	Remark
Rating voltage	DC24V (±10%)	21.6~26.4Vdc
Power consumption	Up to 6W	
Temperature monitoring sensor	4ea • Range: 0~150°C • Tolerance - Contact type: ±3°C - Non-contact type: 5°C • Alarming temperature - 55°C, 65°C, 70°C, 80°C • DO link available	Separate sale
DI	• Normal: 4ea • CB type: 2ea	• Cradle status monitoring • Closing spring status monitoring
DO	• Normal: 3ea • CB type: 2ea	• LATCH • Set 500ms available(CB control available)
LED	• Power LED • Comm. LED • CB LED: 3ea • DI LED: 4ea • DO LED: 3ea • Temperature sensor: 4ea	Temperature display – 7 segment - Under 100°C : display to 1 decimal place - Over 100°C : display to 1 digit place
Protocol	Modbus RTU	
Communication	RS485	Link with STU
Attachment method	• Din-rail • Screw	
Dimension(W×H×D)	72mm×81mm×65mm	
Battery	Applied 0.1F Supper CAP (up to 72 hours backup)	
Ambient air temperaturefor operation	-25 °C ~ +60 °C	
Ambient air temperaturefor Storage	-30 °C ~ +70 °C	
Humidity	Under 85% (Dew will not form)	

### Exterior



### Example



### Device

Circuit breaker	Susol/Metasol ACB with STU
-----------------	----------------------------

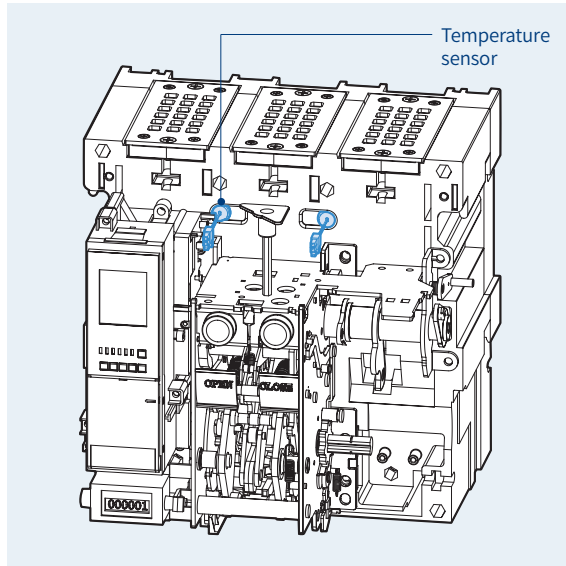
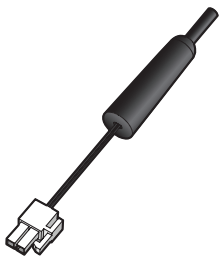
※ Can be used alone



# Accessories

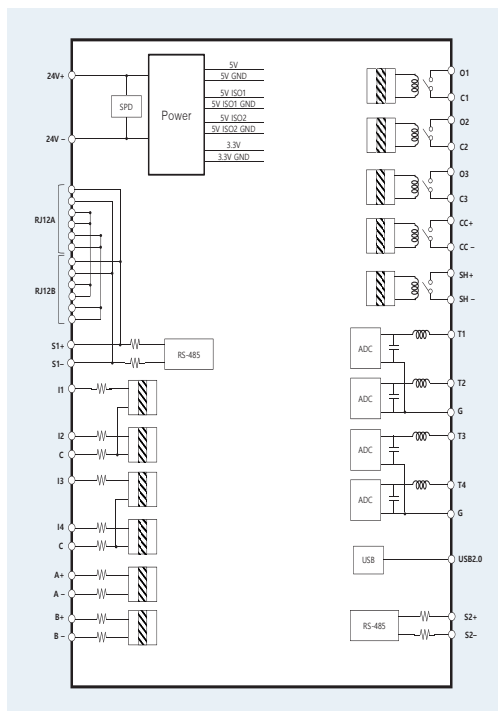
## TRIO

### Temperature monitoring

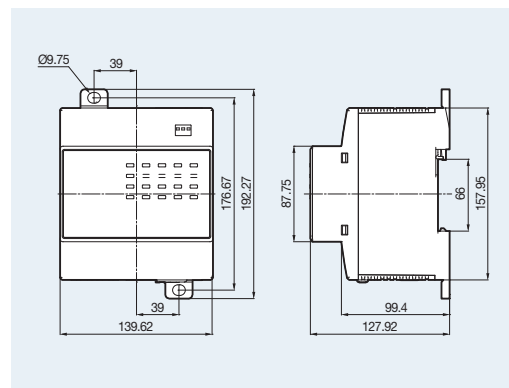


- TRIO unit is a device that indicates the temperature through a sensor inside/outside of the ACB.
- Up to 2 contactless tempe sensors can be installed and the output is connected to control terminal blocks.
- The contact temperature sensor is installed outside the ACB and can be installed in each phase.
- Displays the measured temperature for each sensor for 2 seconds.
- Temperature alarm can be set, and if the temperature rises above the set value, 7 Segments will flash every 1 second and DO contacts will be output.
- TRIO unit communicates with Modbus / RS-485 basically

### ■ Circuit Diagram

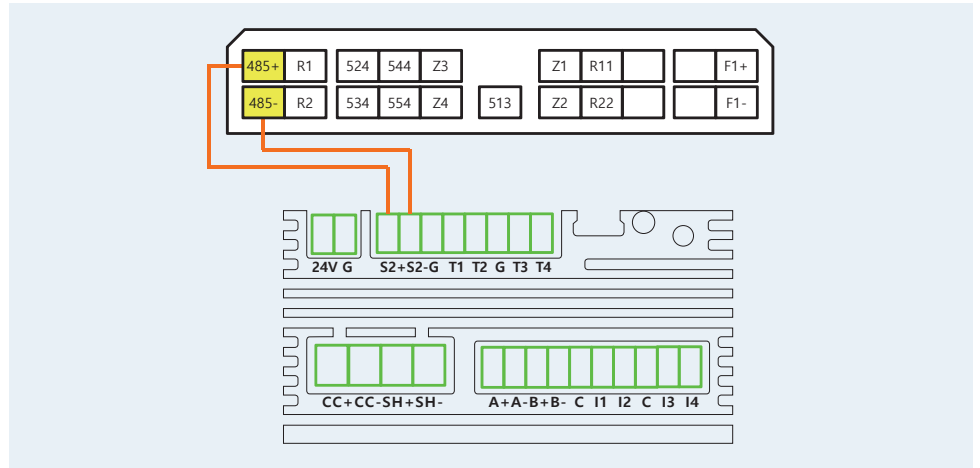


### ■ Dimension

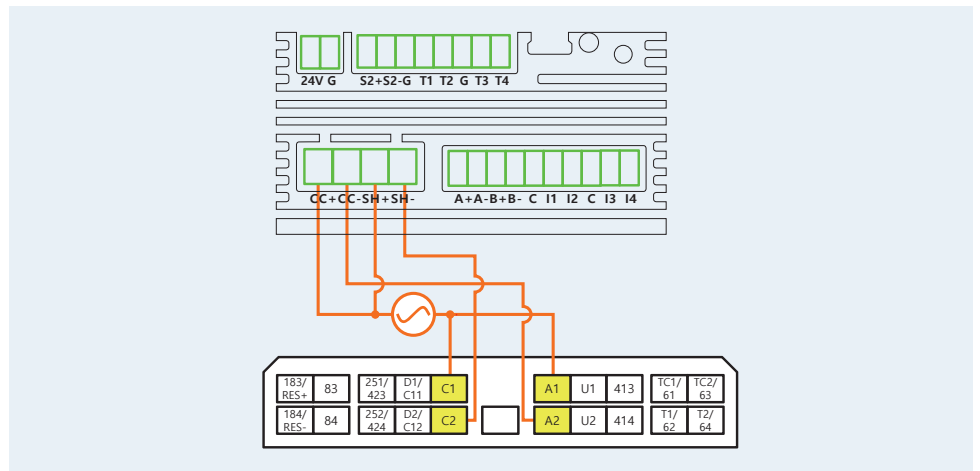


Wiring

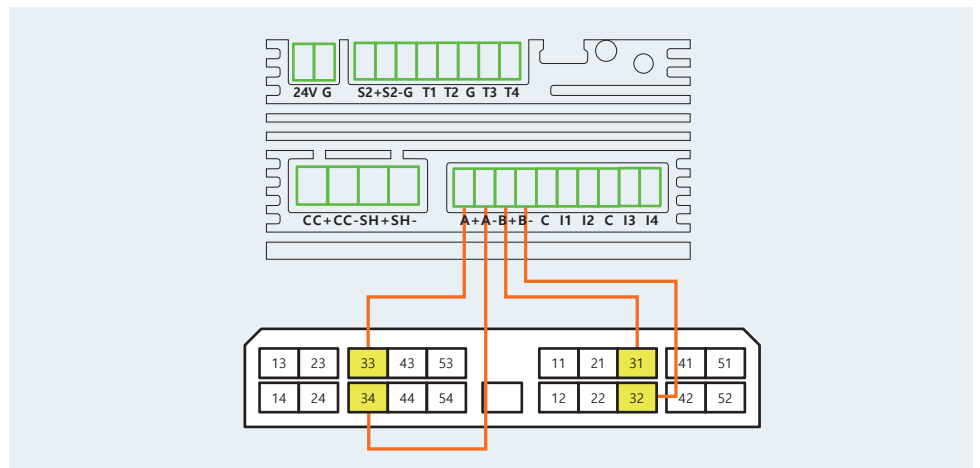
■ Connecting both ACB and RS485 Communication



■ Connecting with ACB control circuit



■ Connecting with ACB Auxiliary switch(status)



# Accessories

## Gateway



GATEWAY is the system communication devices within the Smart LV solution. GATEWAY performs a role of sending the data of serially connected RS-485 communication type devices. GATEWAY provides their independent web page for users to use the connected device settings/status and the monitoring service through this page.

### Characteristic

Menu	Gateway Web Page
Set-up Screen	<ul style="list-style-type: none"> <li>• Check the device information</li> <li>• Change the device name and location information</li> </ul>
Thermography monitoring	<ul style="list-style-type: none"> <li>• Provides status, event, and trend information</li> <li>• On the thermography monitoring device.</li> </ul>
RS485 (Channel1 & 2)	<ul style="list-style-type: none"> <li>• Displays name and status of the device connected to each RS485 channel.</li> <li>• Provides detailed information when you click the device name.</li> </ul>
Automatic Search	<ul style="list-style-type: none"> <li>• Provides RS485 automatic search feature.</li> <li>• Provides HMI connection feature.</li> </ul>
General settings	<ul style="list-style-type: none"> <li>• Provides Network, System, and Status information.</li> </ul>
Monitoring dashboard	<ul style="list-style-type: none"> <li>• Provides key status information of the connected devices.</li> <li>• Provides detailed information when you click the device name.</li> </ul>

### Rating

Classification	Weight Description	Remark
Rated voltage	• 24VDC (20.4 ~ 28.8VDC)	• IEC60038
Power consumption	• 11W or less	
Communication I/O Interface	<ul style="list-style-type: none"> <li>• 1×RJ12: RS485 CH1, Modbus RTU</li> <li>• 1×Terminal Block: RS485 CH2, Modbus RTU</li> <li>• 2×RJ45: Ethernet Modbus TCP RSTP1, 2</li> <li>• 1×RJ45: Ethernet WAN</li> <li>• 1×WiFi (including router feature)</li> </ul>	<ul style="list-style-type: none"> <li>• Ethernet port includes router function.</li> <li>• In case of E-TAG, 20EA per channel can be accommodated through E-COLLECTOR.</li> </ul>
External interface	<ul style="list-style-type: none"> <li>• 1×Digital input (DI)</li> <li>• 1×Digital output (DO)</li> <li>• 2×USB Type A port (Host)</li> <li>• 1×USB Mini B port (Device)</li> </ul>	
Memory	<ul style="list-style-type: none"> <li>• RAM: 256MB</li> <li>• Flash: 1GB</li> </ul>	<ul style="list-style-type: none"> <li>• Every 15 minutes</li> <li>• The data is stored 7days.</li> </ul>
Attachment method	<ul style="list-style-type: none"> <li>• DIN rail</li> <li>• Wall mount</li> </ul>	
Dimension	<ul style="list-style-type: none"> <li>• 90 (D)×81(H)×65 (W)</li> <li>• PCB: 85 (length)×76 (width)</li> </ul>	
Weight	• 250g or less	
Web service	• Device setup and basic monitoring web page	
Button	<ul style="list-style-type: none"> <li>• 1×Push Button</li> <li>• Factory reset: Push over 5 seconds Button input 5 seconds or more</li> <li>• Soft Reset : Push under 5 seconds</li> </ul>	
Switch	• 2×Dip Switch / RS-485 communication Termination set	
Battery	• Applied 0.1F Supper CAP (up to 72 hours backup)	
Ambient air temperature for operation	• -25°C ~ +70 °C / WiFi communication option (0 ~ +50°C)	
Ambient air temperature for Storage	• -40°C ~ +85 °C / WiFi communication option (-20 ~ +80°C)	
Humidity	• Under 95% (Dew will not form)	

### Web service

- Provides device registration and monitoring functions
- Provides remote firmware upgrade function
- Provides wave viewer function



### Exterior description

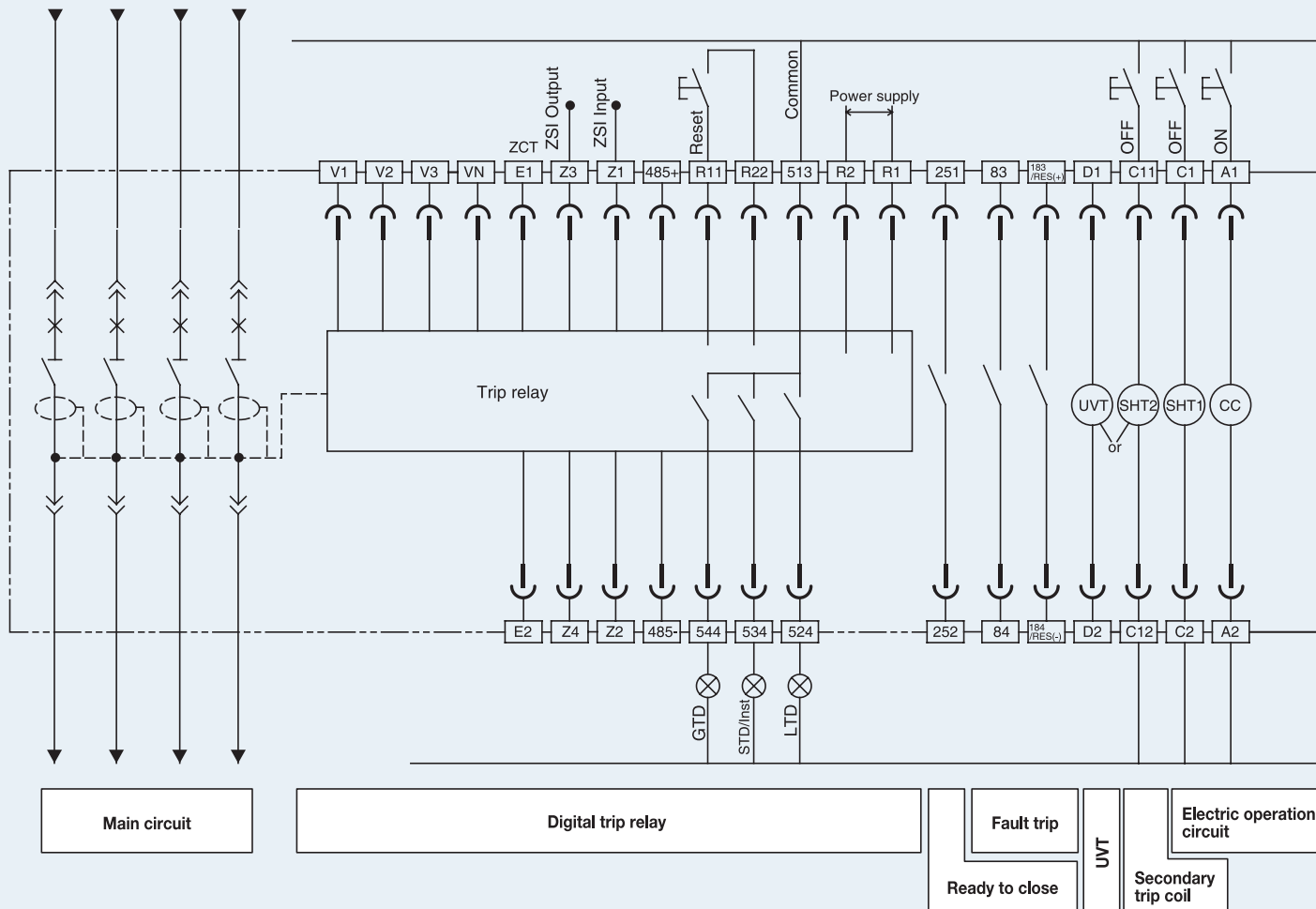


### Target device

Circuit breaker	Susol ACB STU, Metasol ACB STU, Susol Smart MCCB
Measurement device	GIMAC1000, GIMAC-B, E TAG, MMP, DMPi, Energy Meter
Accessory device	M LINK, TRIO

# Electrical diagram

## Trip relay (N, A type OCR)



### Terminal code description

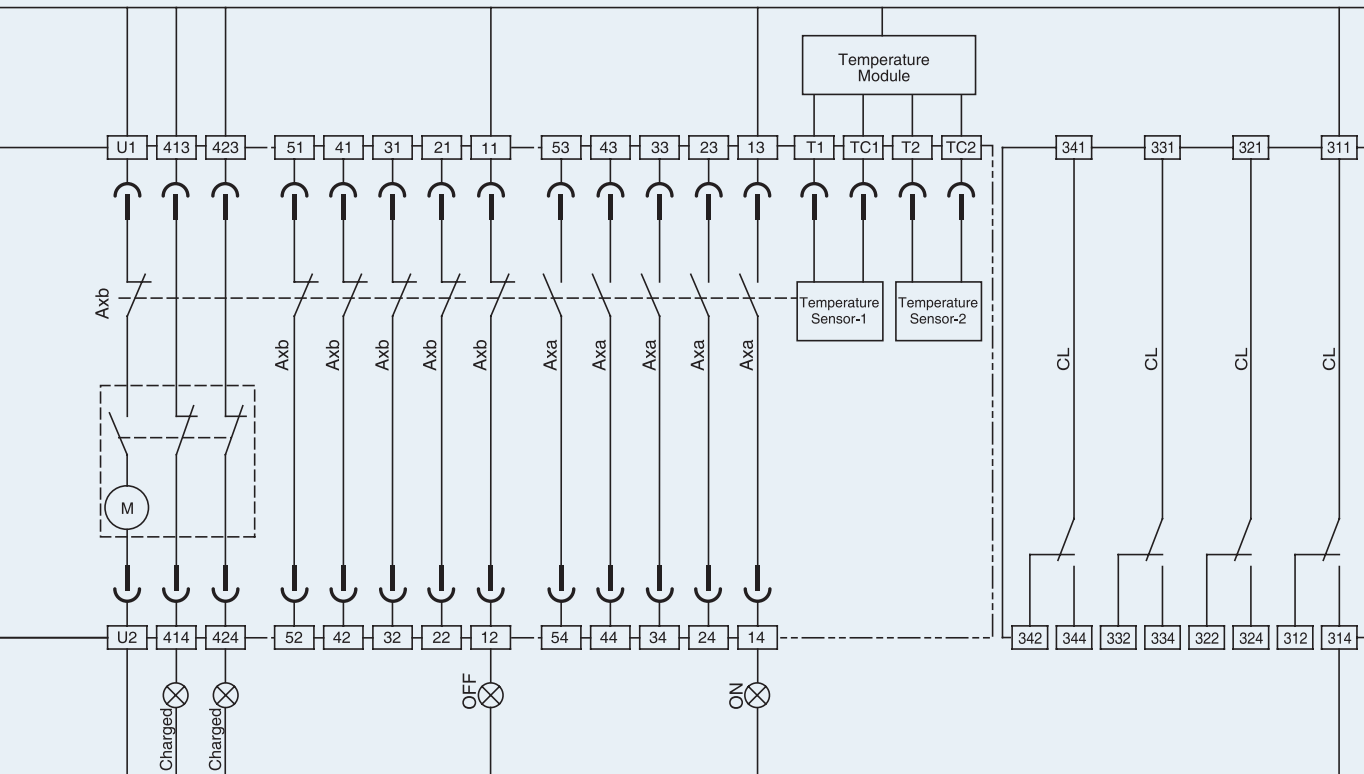
13	14	~	63	64	Auxiliary switch "a"
11	12	~	61	62	Auxiliary switch "b"
413	414				Charged signal
423	424				Charged signal communication
U1	U2				Motor charging
A1	A2				Closing coil
C1	C2				Shunt trip
C11	C12				2nd shunt trip

D1	D2	Voltage input terminal of UVT	
83	84	Alarm1 "a"	
183	184	Alarm2 "a"	
251	252	Ready to close switch	
R1	R2	Control power	
513	~	544	Alarm contact
R11	R22	Alarm reset (Trip cause LED, Alarm contact)	
485+	485-	RS-485 communication	

- Note) 1. The diagram is shown with circuits de-energized, all devices open, connected and charged and relays in normal position  
 2. Relay is normal condition and charging type is "OFF-Charging"  
 3. The standard of auxiliary contact is 3a3b. The auxiliary switch in above diagram is composed of 5a5b. See 66 page for more detail on auxiliary switches.  
 4. Option  
 - Ready to close contact, Trip alarm contact, UVT coil, Fully charged contact, secondary trip coil  
 - Cell switch, Temperature module, Voltage module, Remote close-open module, ZCT, ZSI  
 5. Please consult us for the use of ZSI (Zone selective Interlocking).  
 6. Refer to the page 47 for the connection of Trip relay and the page 61 for UVT.  
 7. For connecting RS-485 verify if the polarity is correct



This diagram is based on “CONNECTED” position of a circuit breaker and Opening, Motor charging, Releasing of locking plate should be normal condition.



Charge completion contact

Auxiliary switch

Thermal, communication remote control module

Cell switch

### Accessory code description

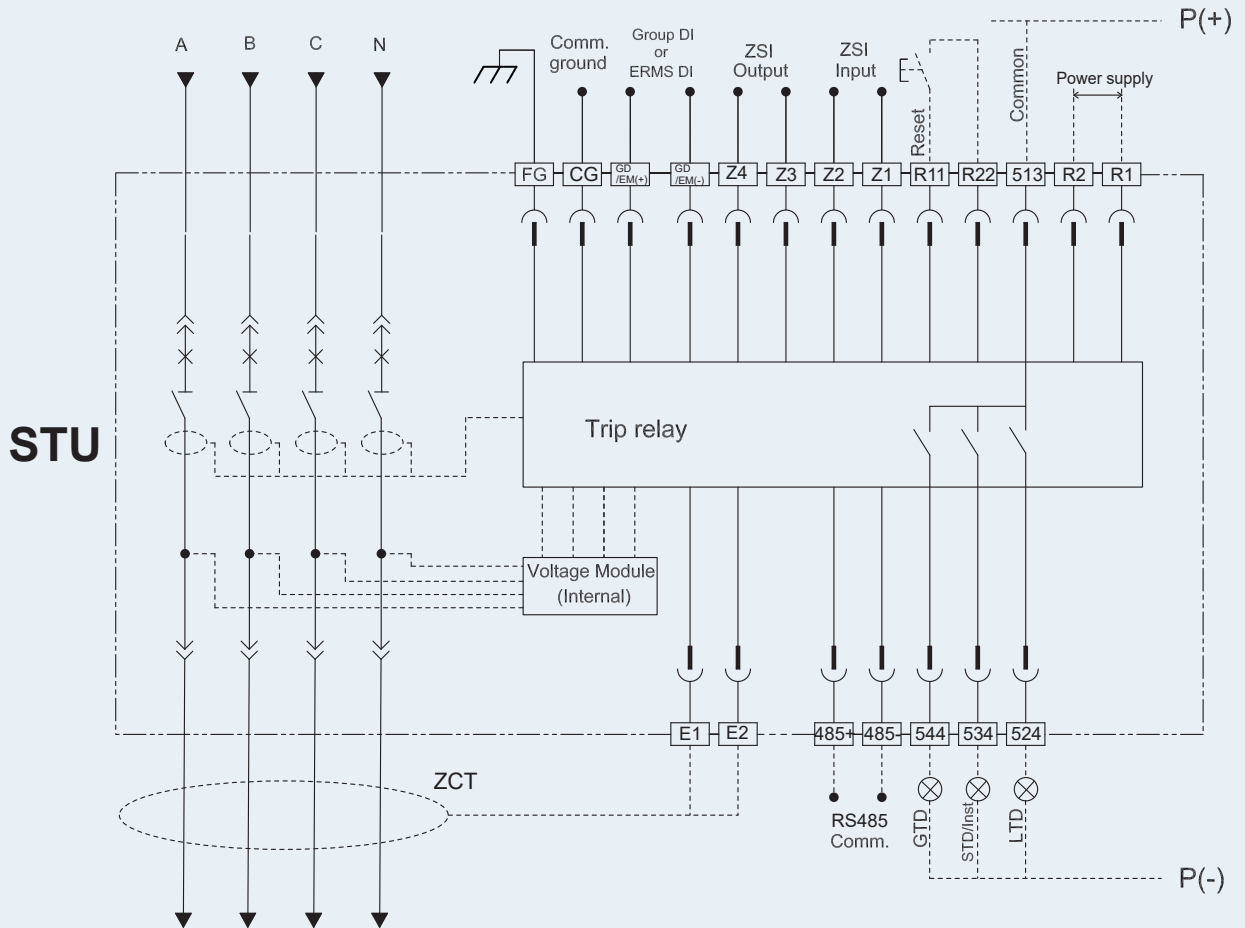
Z1	Z2	ZSI input
Z3	Z4	ZSI output
E1	E2	ZCT
VN	~ V3	Voltage module
TC1, TC2	~ T1, T2	Temperature module
311	~ 344	Position switch

Ax	Auxiliary switch
LTD	Long time delay trip indicator
STD/Inst	Short time delay/instantaneous
GTD	Ground fault trip indicator
CL	Cell switch
(M)	Motor
(CC)	Closing coil
(SH1)	Shunt tripping device 1
(SH2)	Shunt tripping device 2
(UVT)	UVT coil

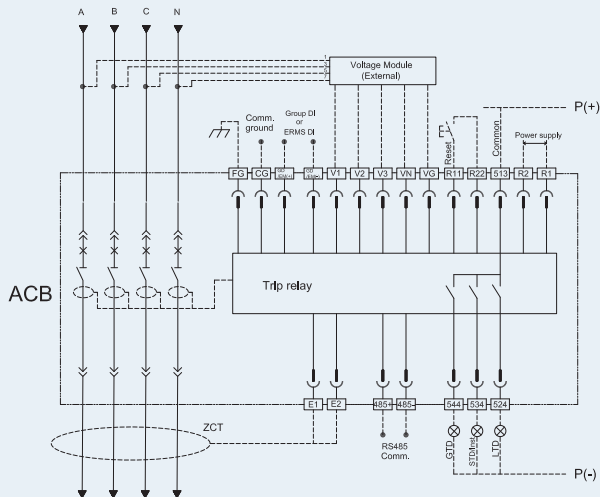
—	Internal wiring
—	External wiring (by customer)
—	Connector of the control circuit terminal of drawout type

# Electrical diagram

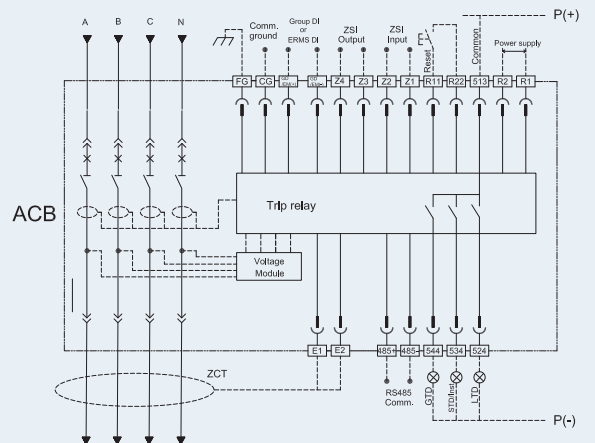
## Trip relay (STU)

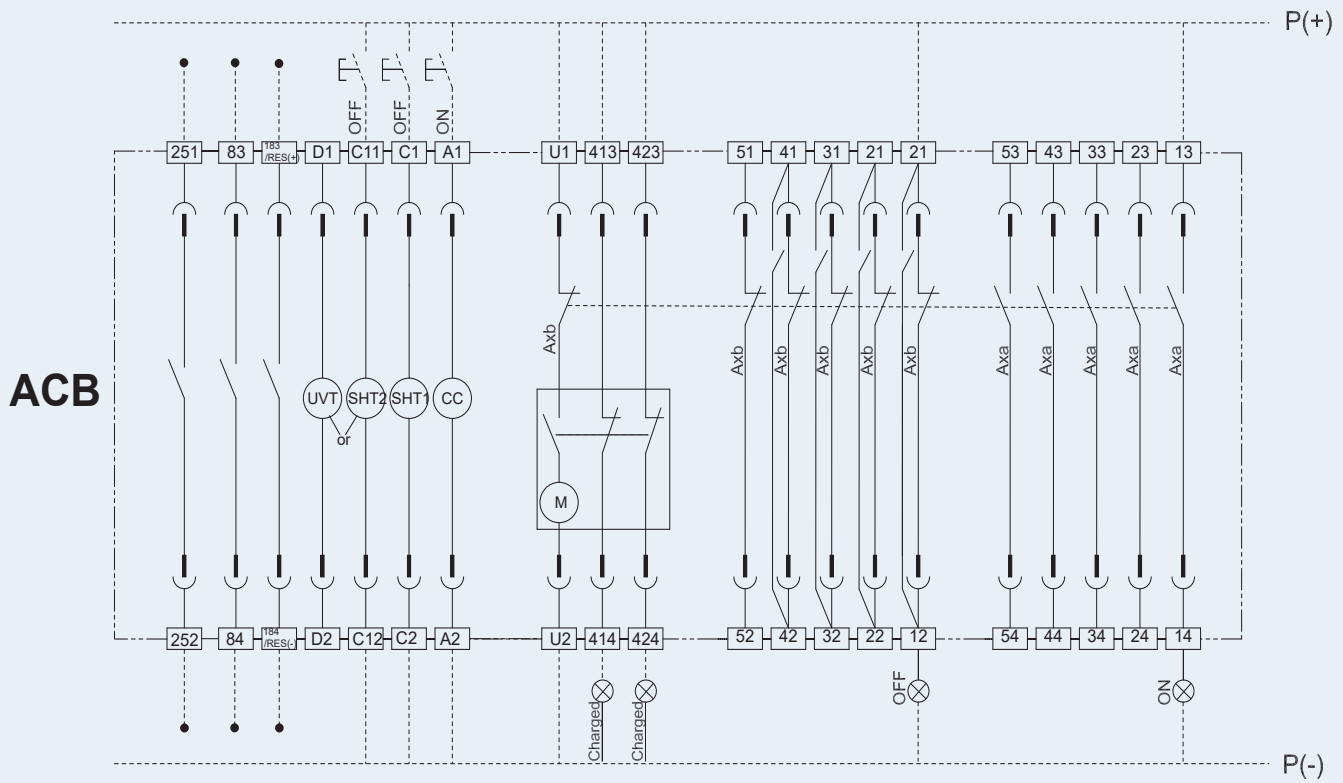


Wiring Diagram for External type VDM

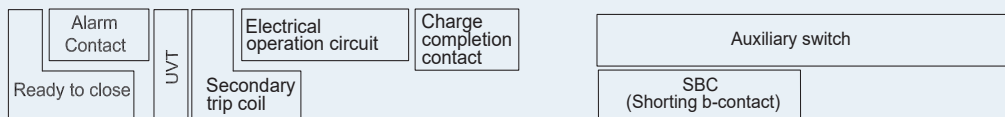


Wiring Diagram for Internal type VDM



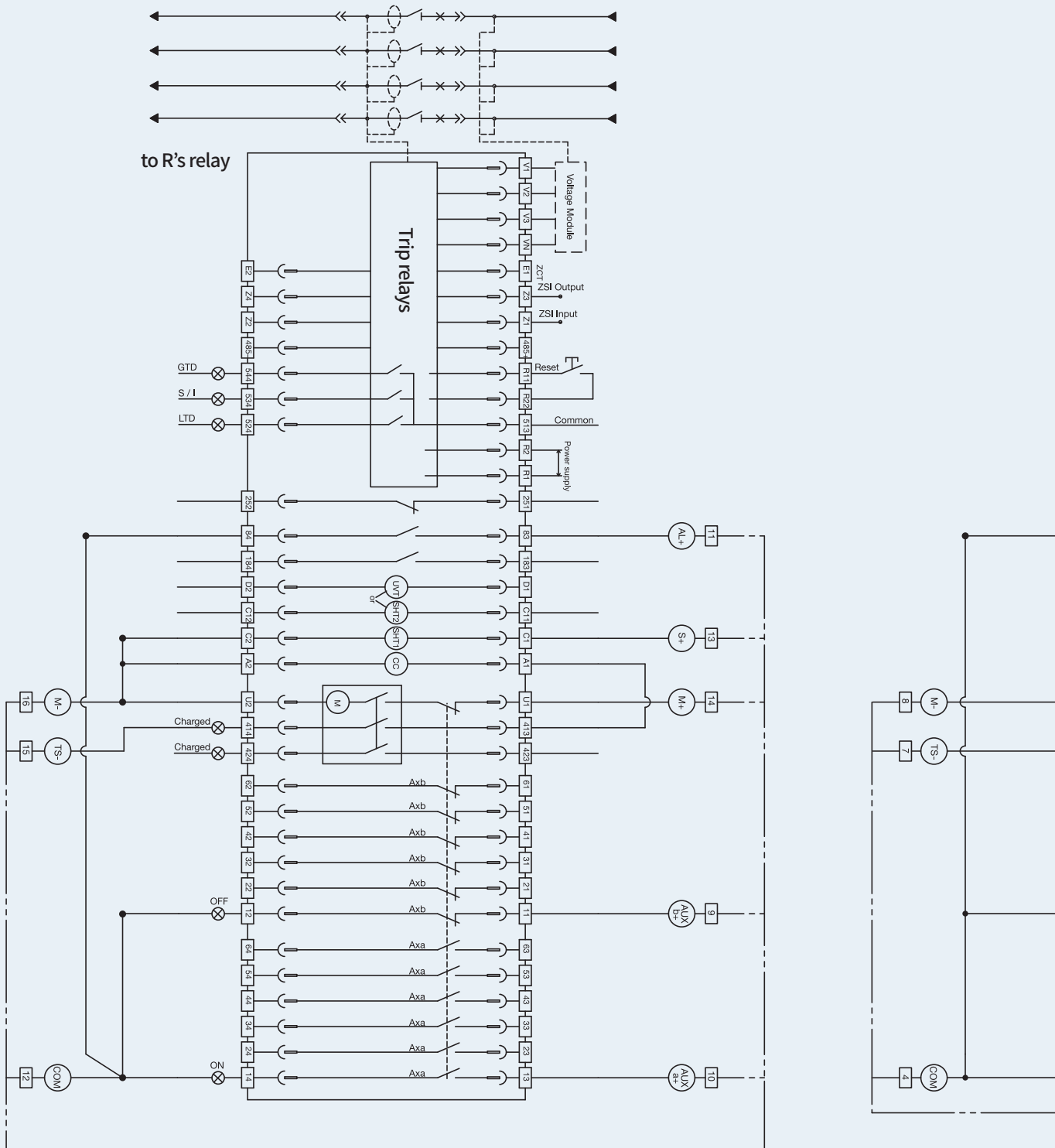


**ACB**

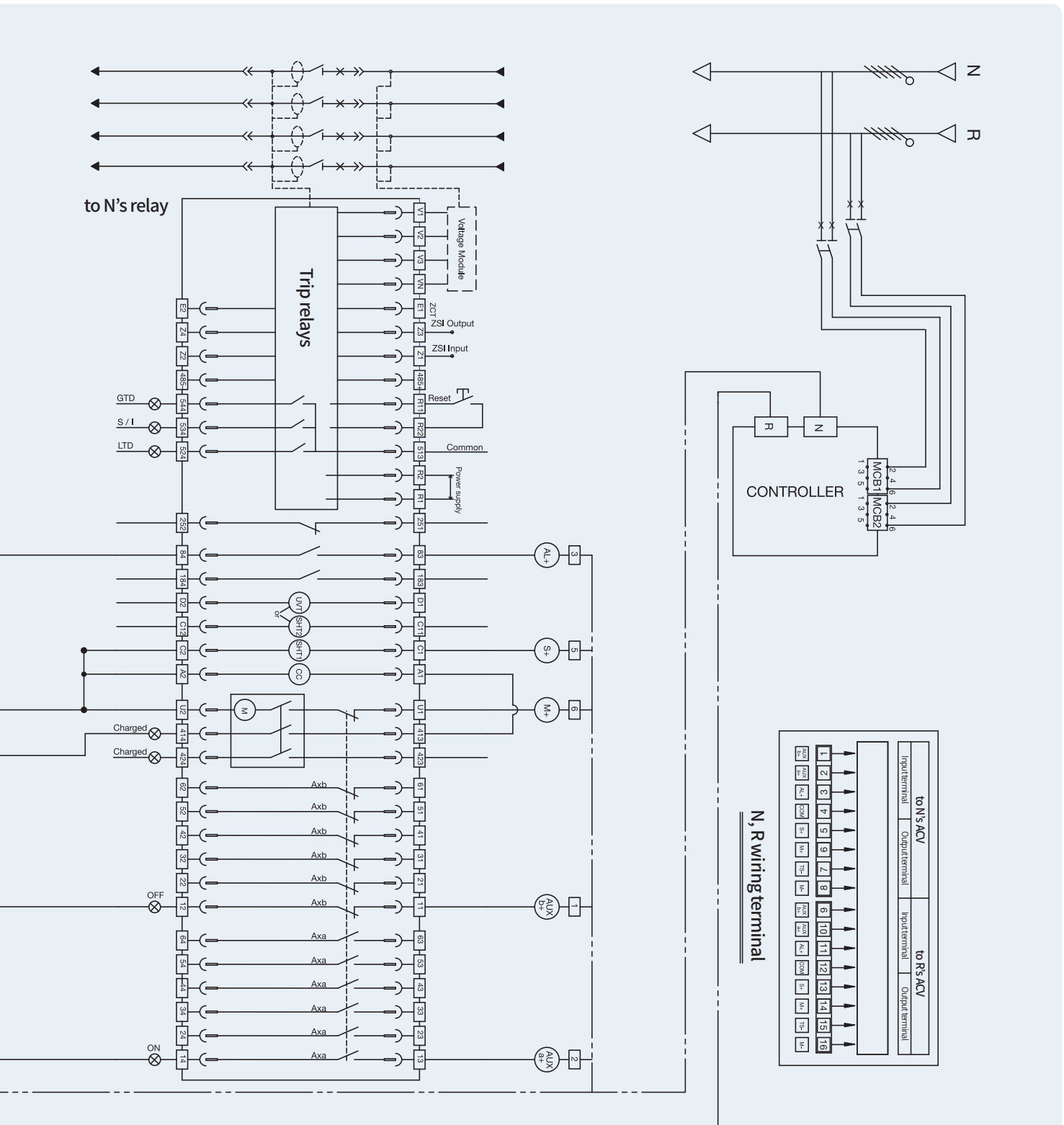


# Electrical diagram

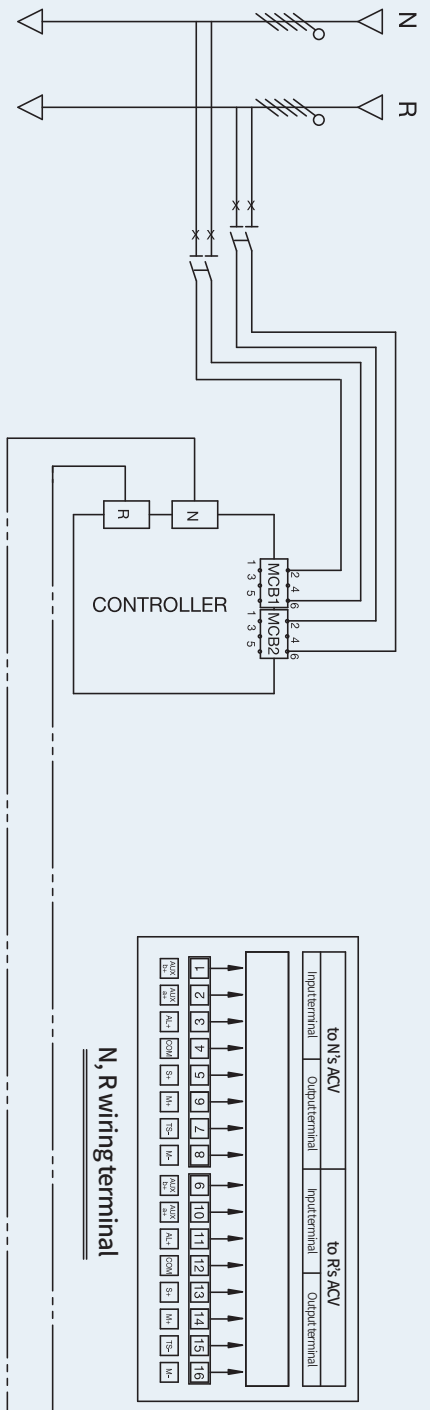
## ATS controller



- Note) 1. The circuit breaker "N"&"R" have same circuit diagram.  
 2. The MCB1&MCB2 which are assembled on the controller must supply the power from "Line" side power source.  
 (If power is connected to the "load" side, ATS does not operate when the trip device operates "OFF" function)  
 3. In this circuit diagram, the ACB is in "Connected" position and the circuit breaker is the closing spring charged and the "OFF" status.



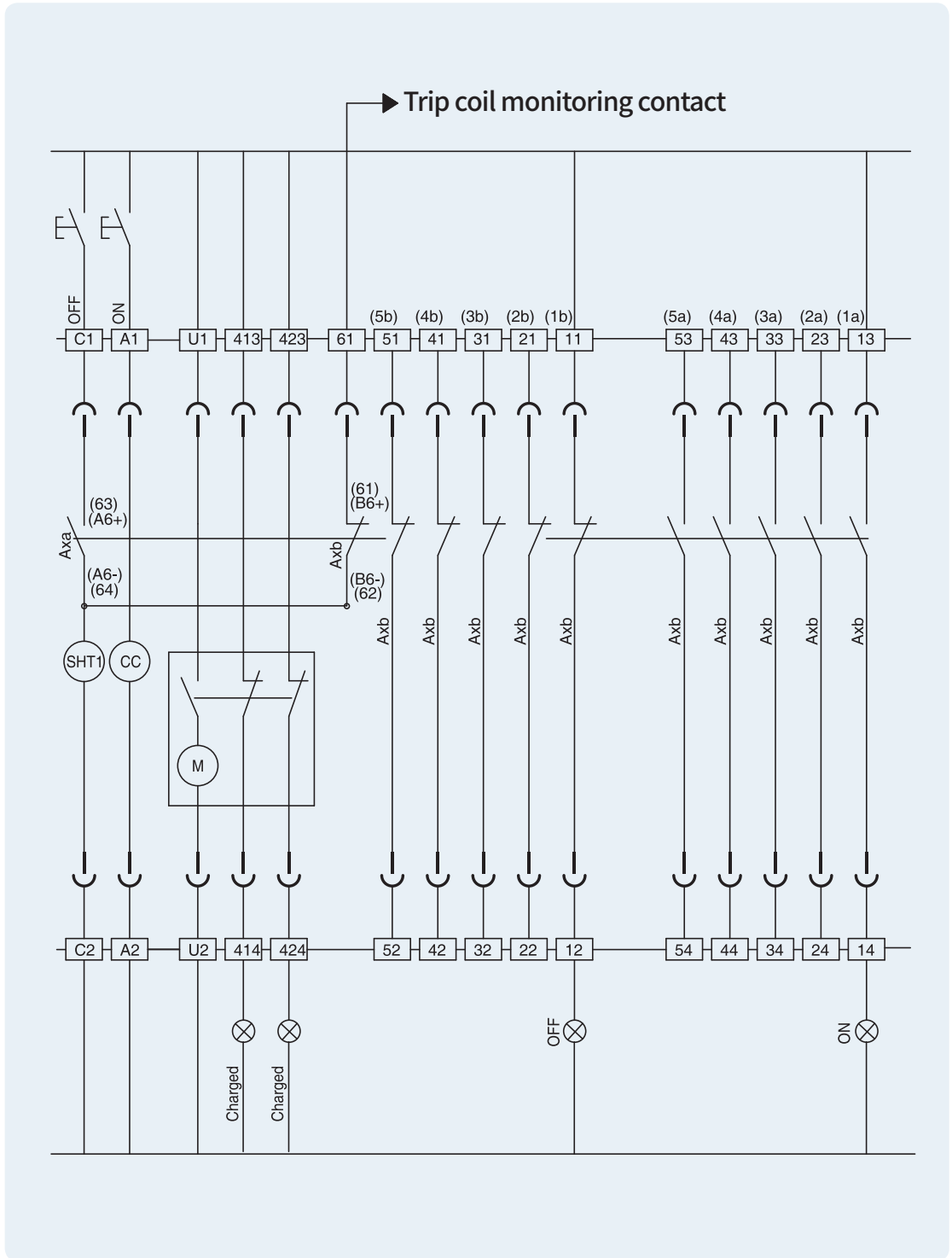
\* For working the trip coil monitoring contact, see page 114-115.



# Electrical diagram

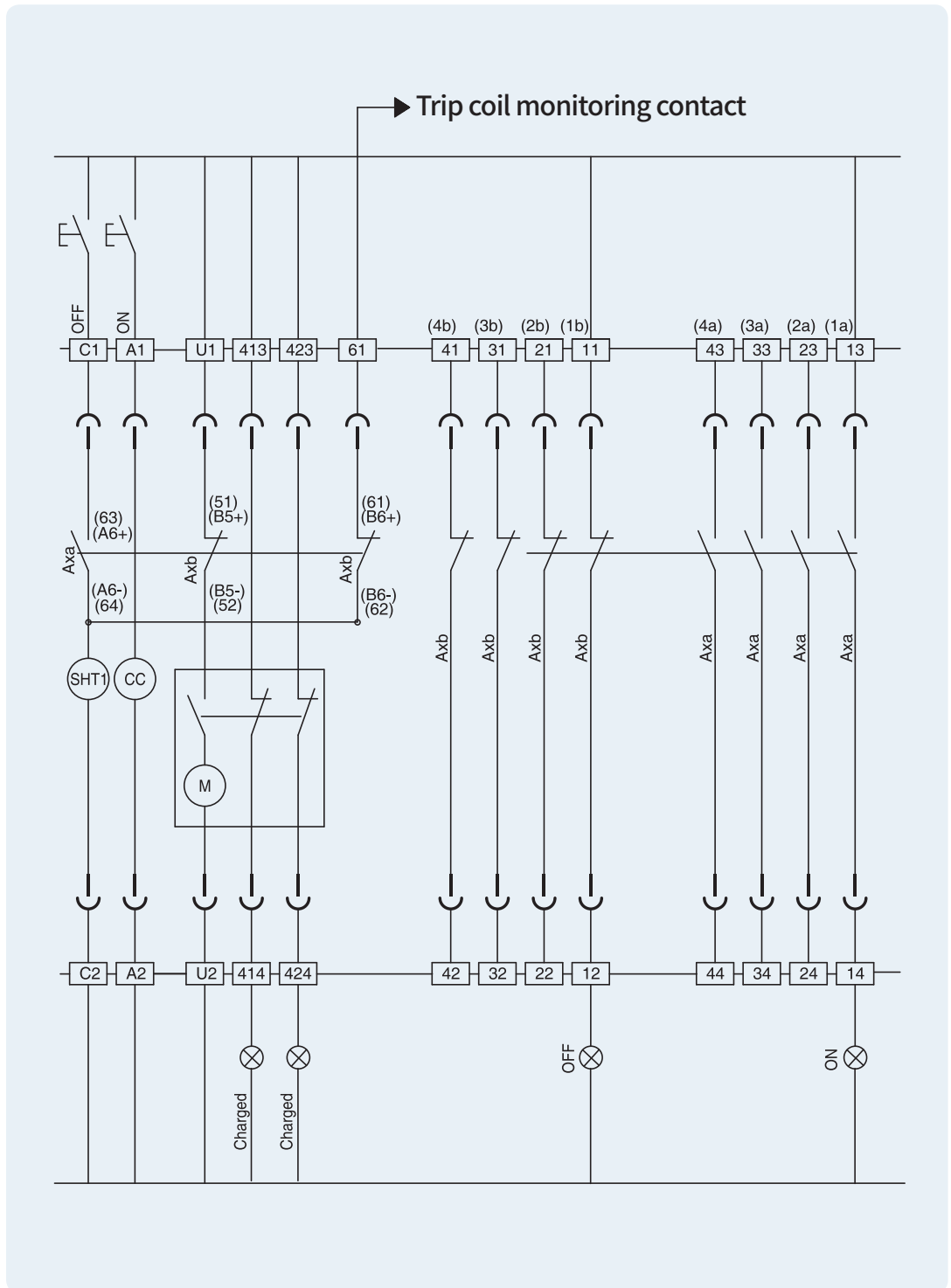
## Trip coil monitoring contact

TC(TCS ON-charge)  
'5a5b'





TC(TCS OFF-charge)  
'4a4b'

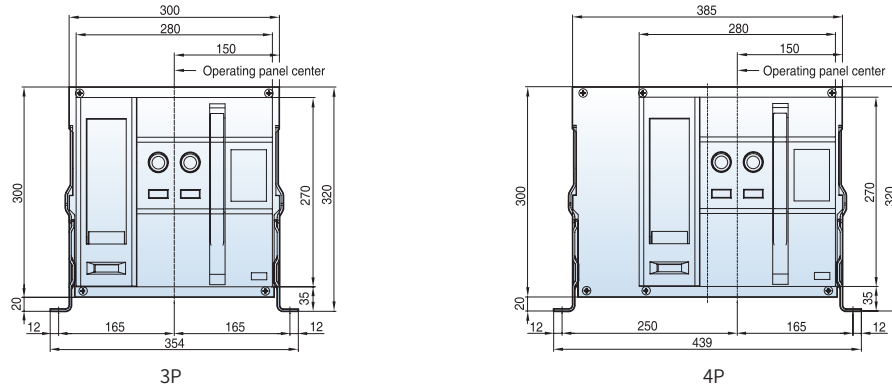


# Dimensions

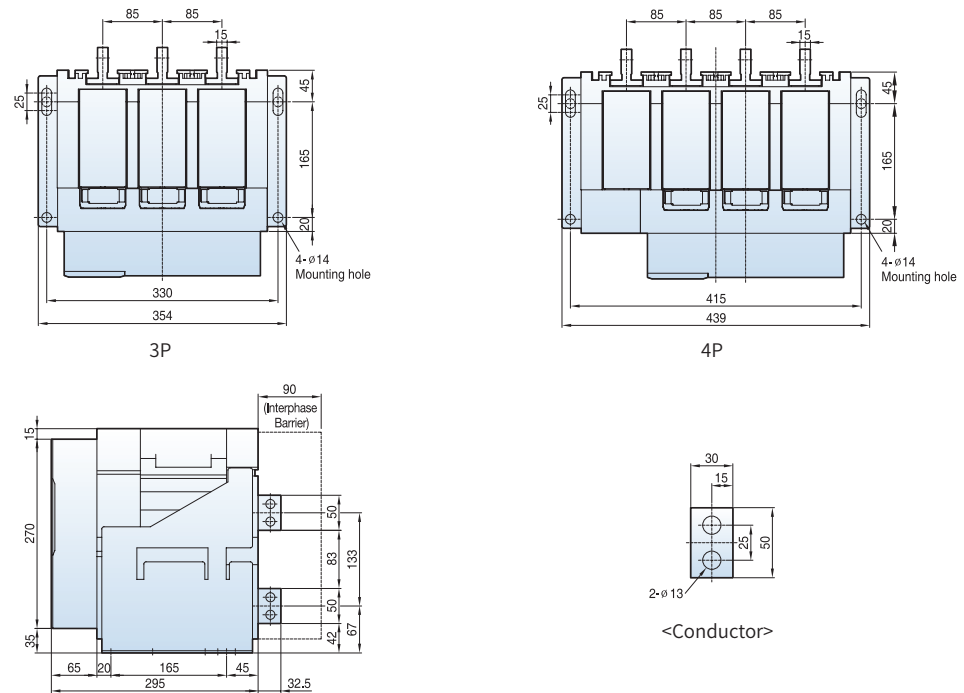
## Fixed type 2000AF (630~1600A: AH/AN/AS-06~16D)

[Unit: mm]

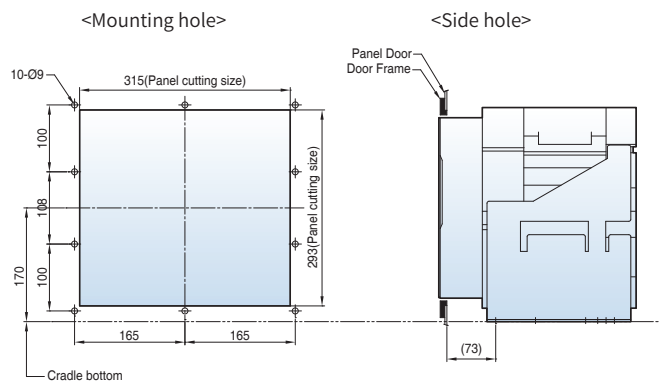
### Front view



### Vertical type



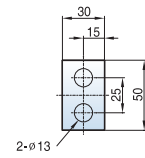
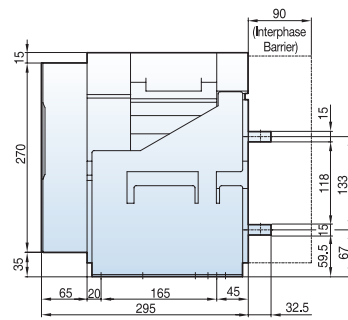
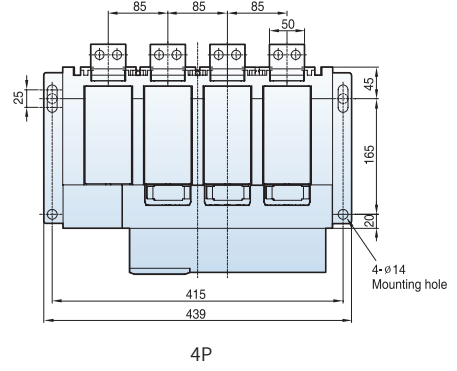
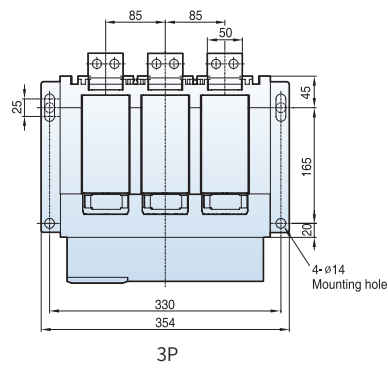
### Door Frame: DF (AH/AN/AS-D/E)



Note) The dimensions are for fixed type.

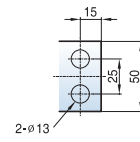
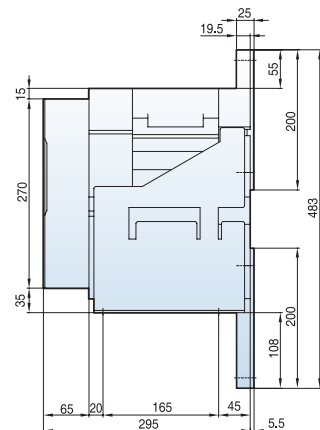
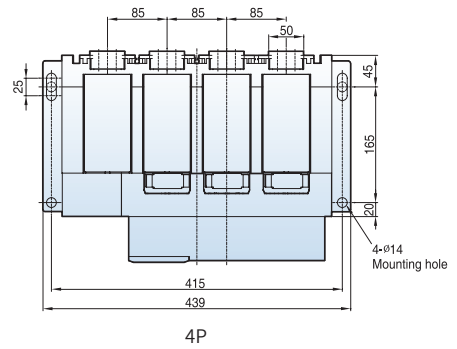
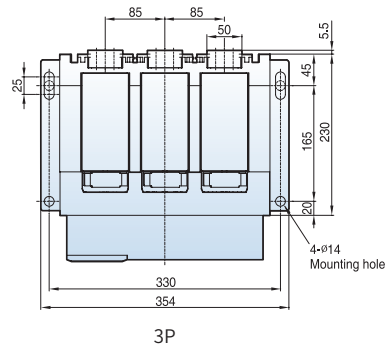
[Unit: mm]

Horizontal type



<Conductor>

Front connection type



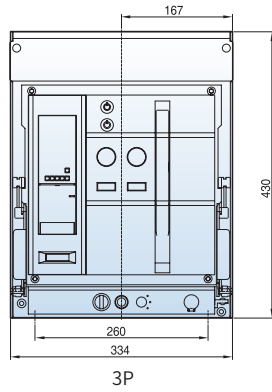
<Conductor>

# Dimensions

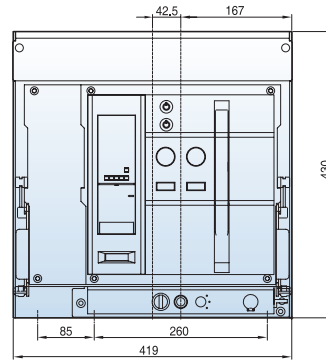
## Draw-out type 2000AF (630~1600A: AH/AN/AS-06~16D)

[Unit: mm]

### Front view

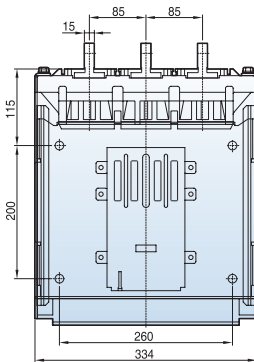


3P

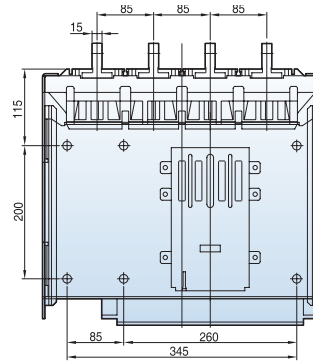


4P

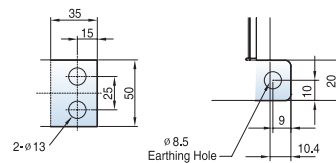
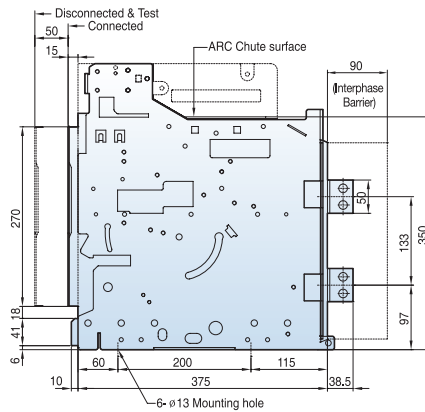
### Vertical type



3P

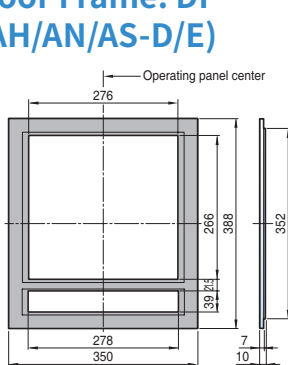


4P



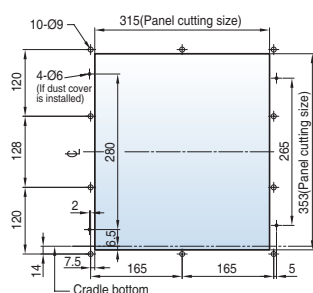
<Conductor>

### Door Frame: DF (AH/AN/AS-D/E)

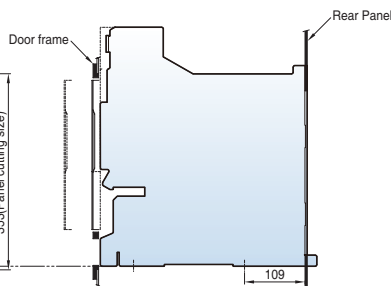


<External size>

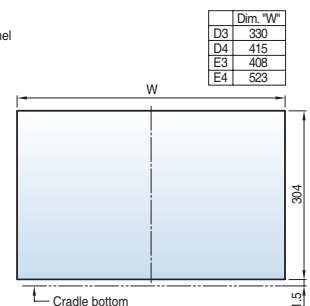
<Mounting hole>



<Side hole>



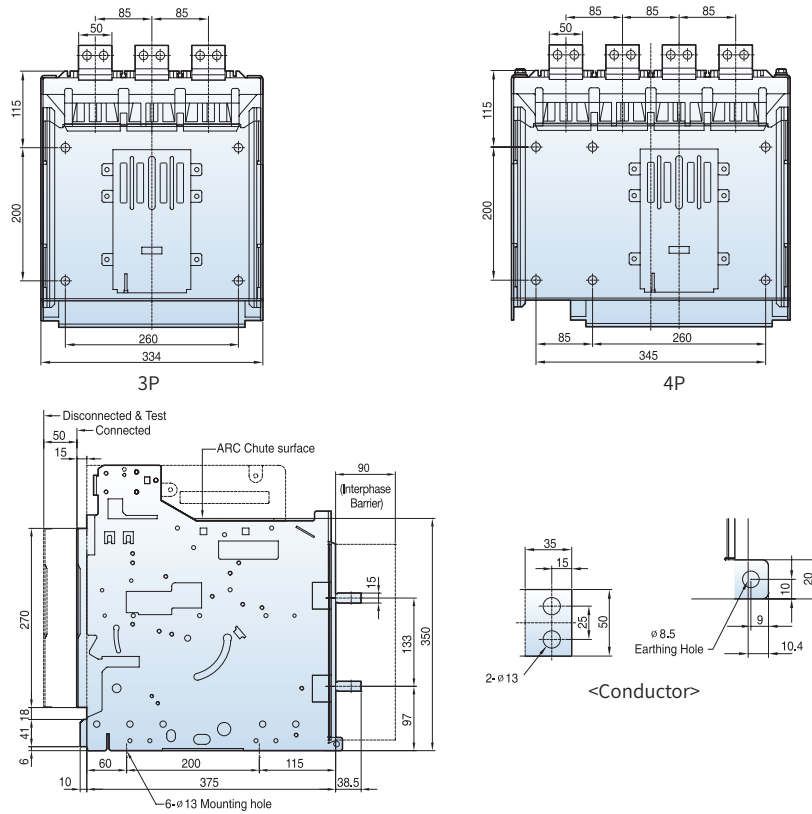
<Panel cutting >



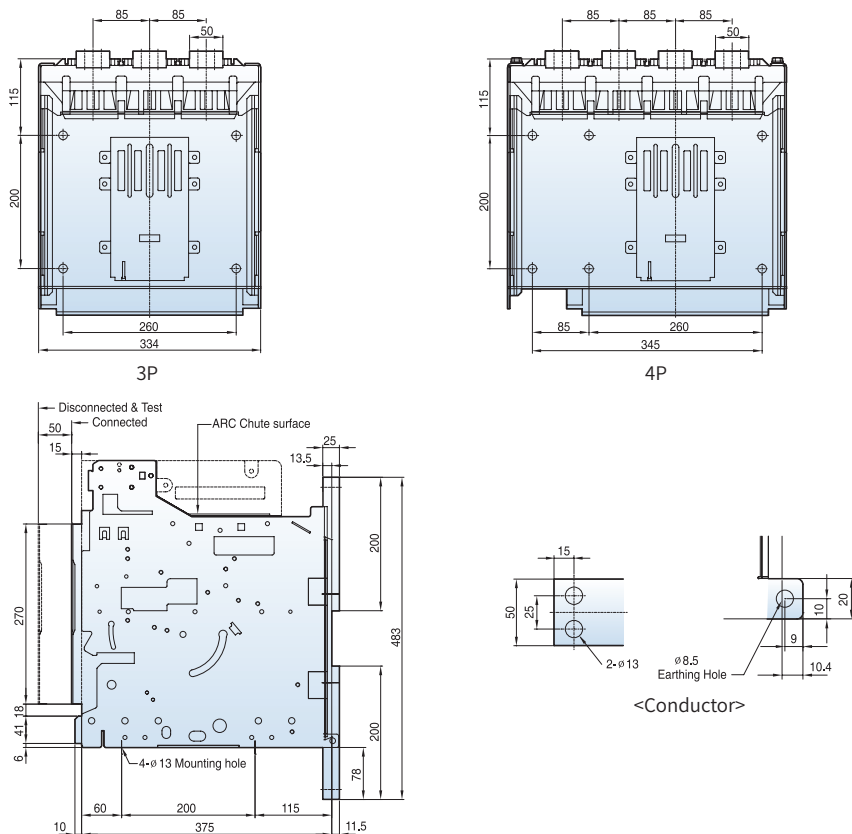
Note) The dimensions are for drawout type.

[Unit: mm]

### Horizontal type



### Front connection type

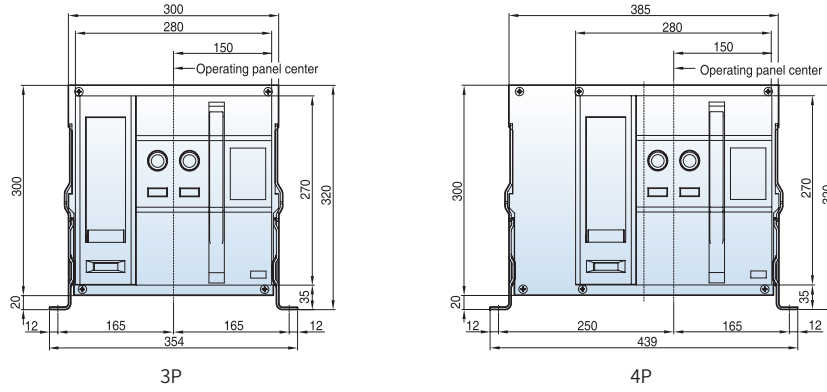


# Dimensions

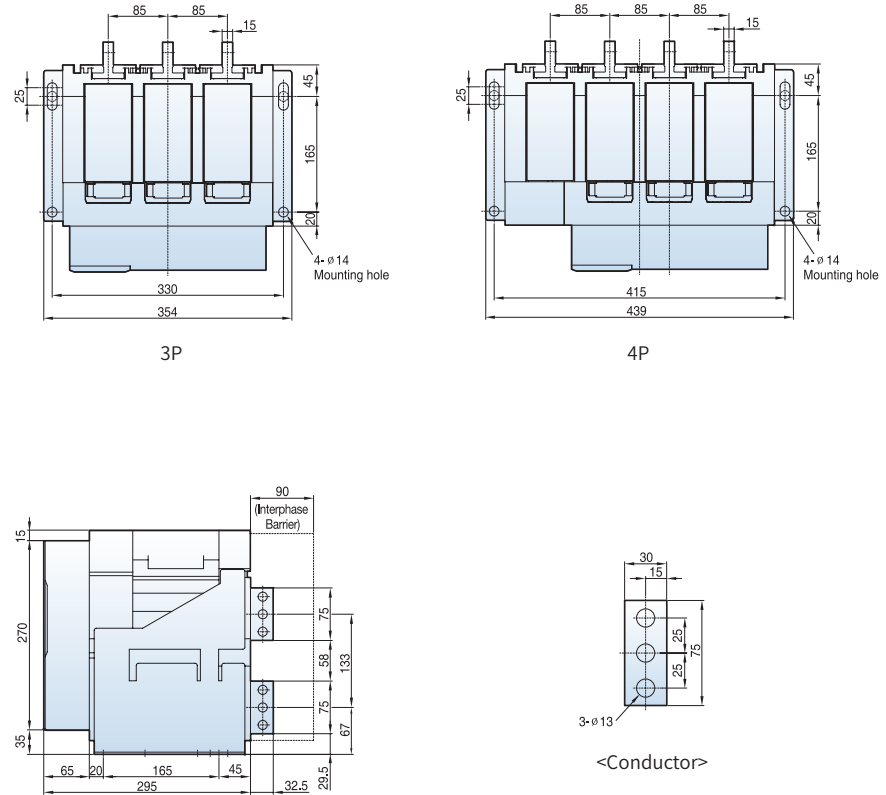
## Fixed type 2000AF (2000A: AH/AS-20D)

[Unit: mm]

### Front view



### Vertical type

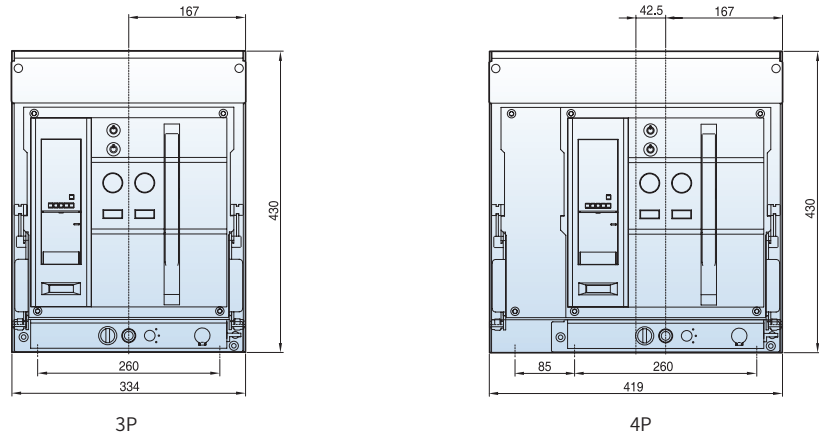




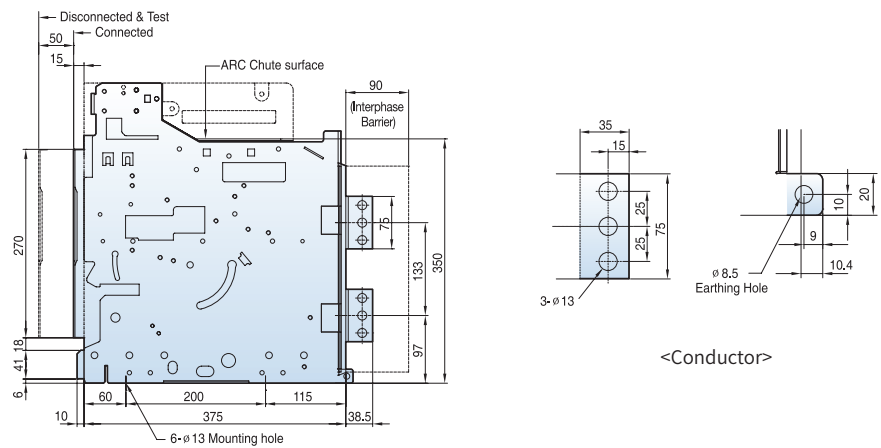
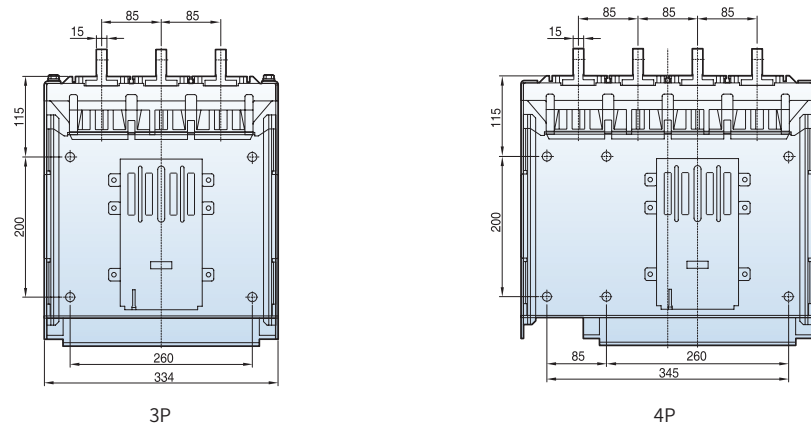
## Draw-out type 2000AF (2000A: AH/AS-20D)

[Unit: mm]

### Front view



### Vertical type

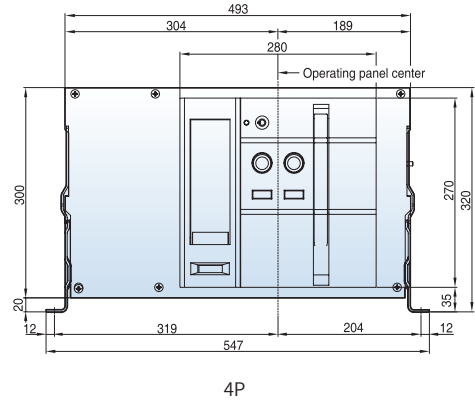
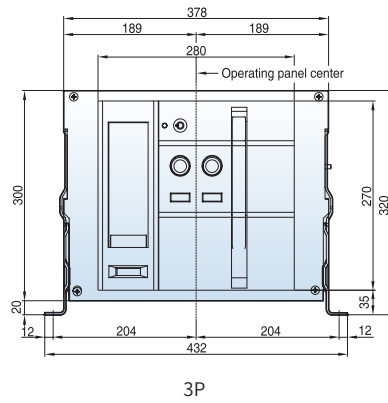


# Dimensions

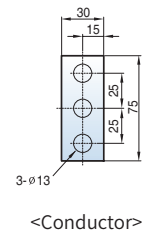
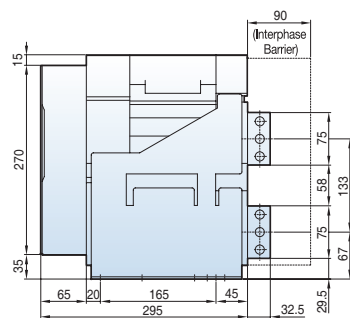
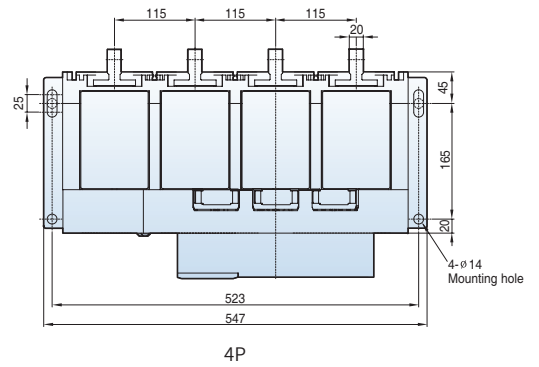
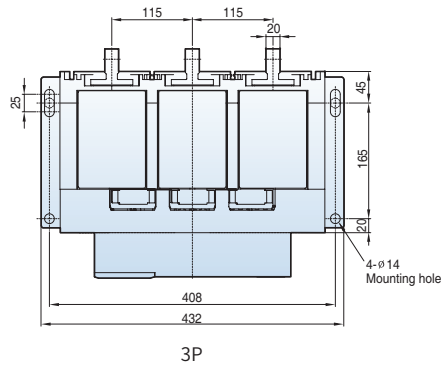
## Fixed type 4000AF (2000~3200A: AH/AS-20~32E)

[Unit: mm]

### Front view

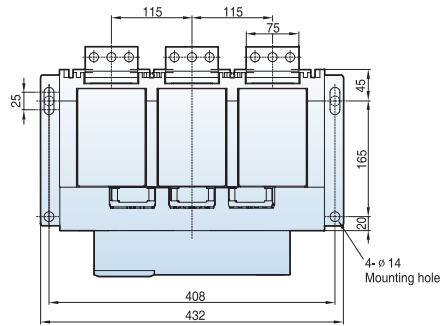


### Vertical type

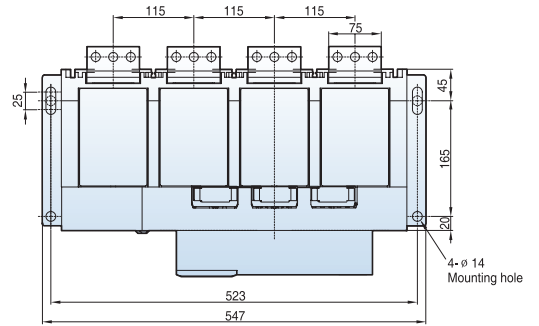


[Unit: mm]

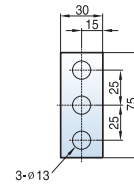
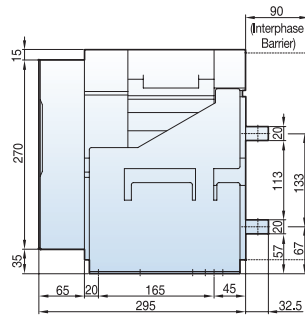
Horizontal type



3P

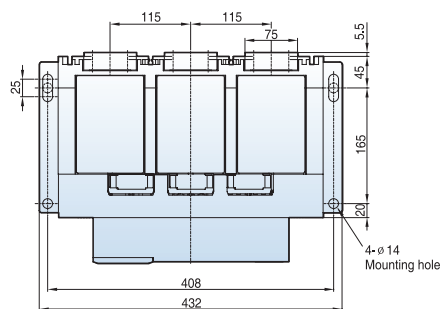


4P

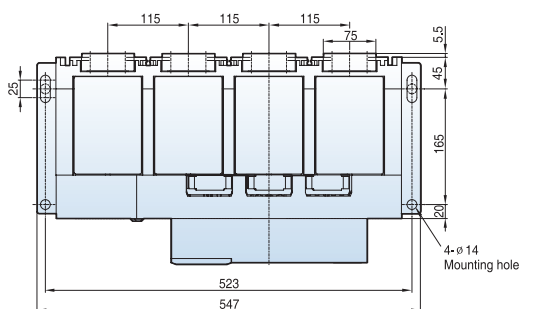


<Conductor>

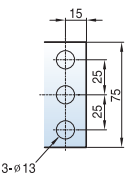
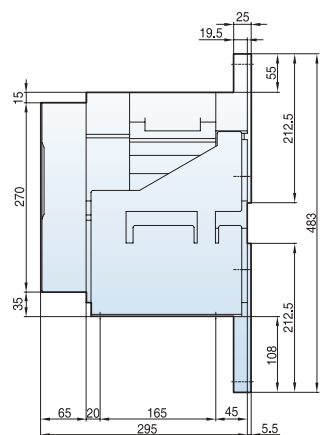
Front connection type



3P



4P



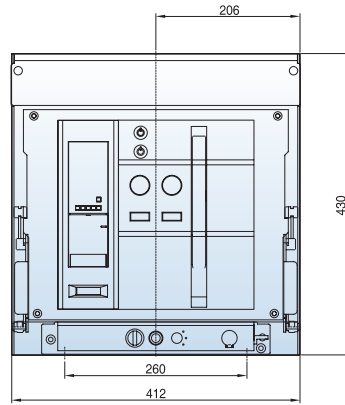
<Conductor>

# Dimensions

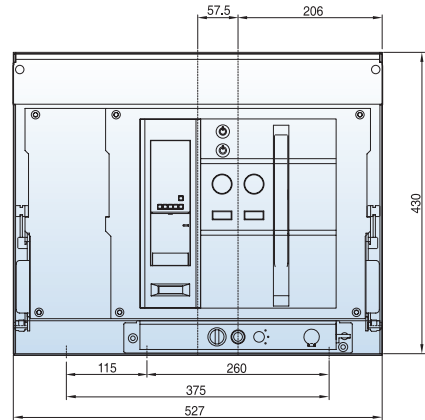
## Draw-out type 4000AF (2000~3200A: AH/AS-20~32E)

[Unit: mm]

### Front view

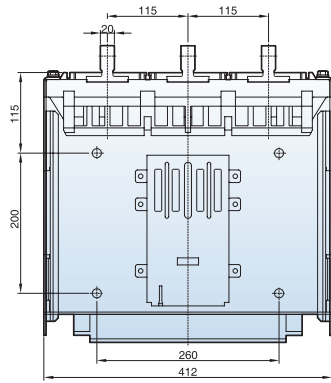


3P

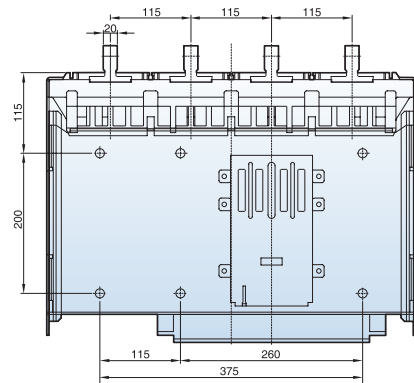


4P

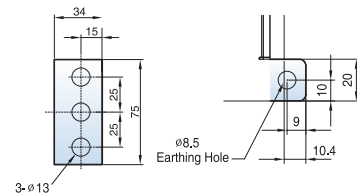
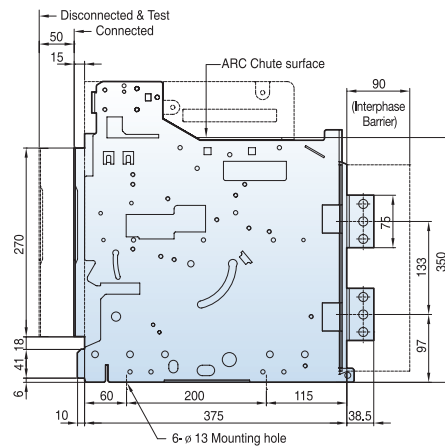
### Vertical type



3P



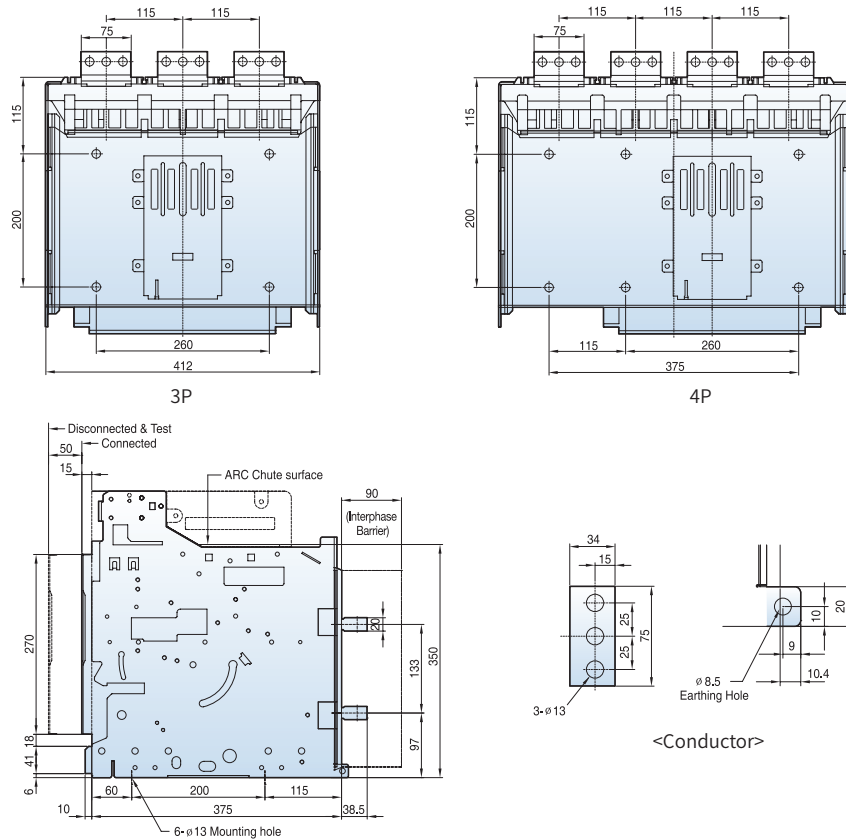
4P



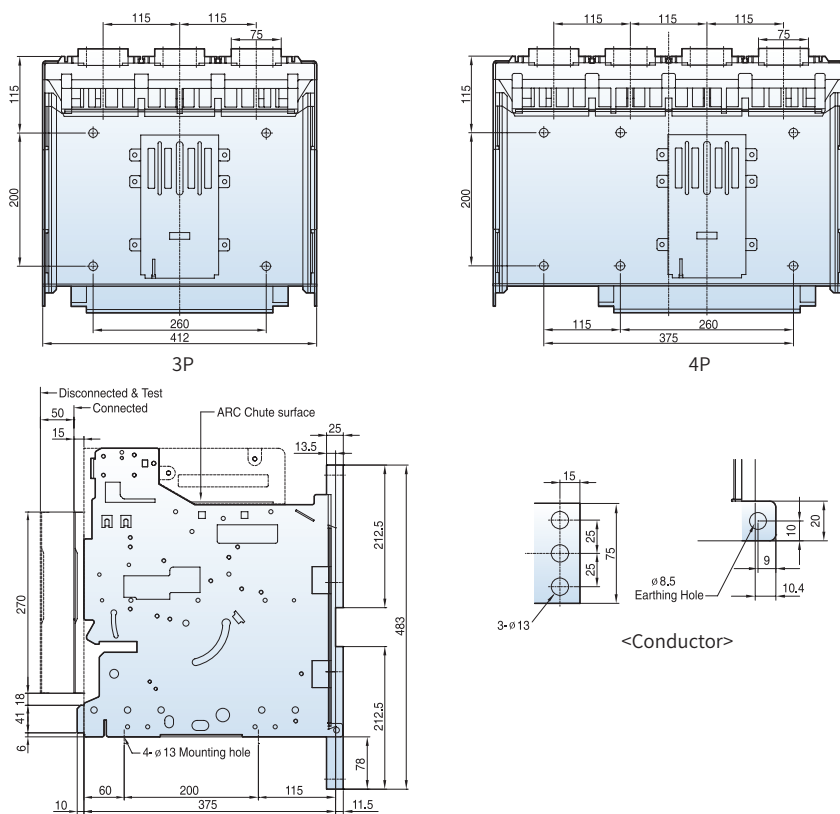
<Conductor>

[Unit: mm]

### Horizontal type



### Front connection type

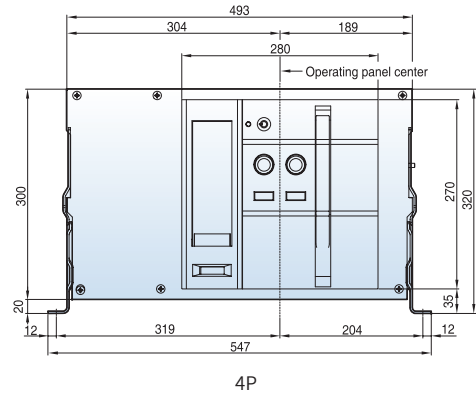
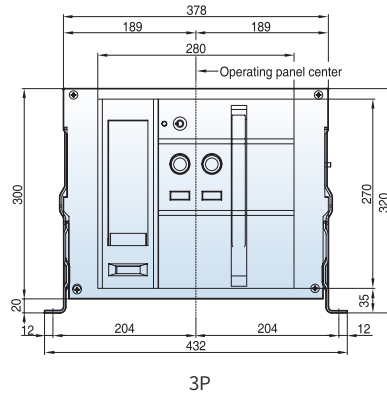


# Dimensions

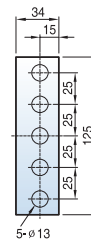
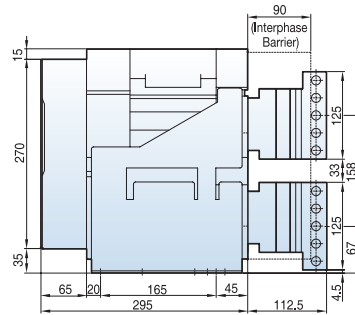
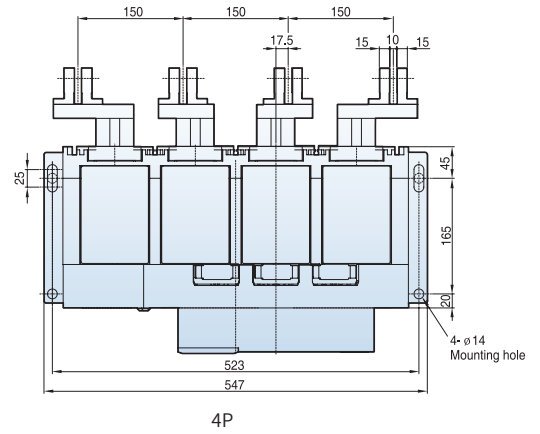
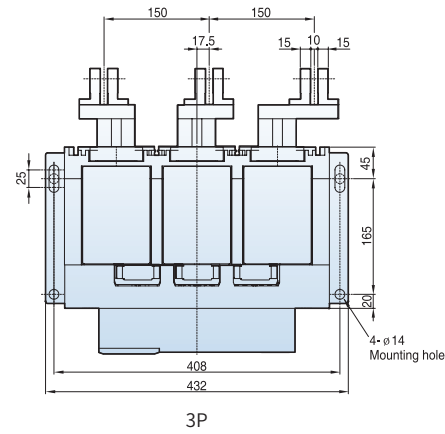
## Fixed type 4000AF (4000A: AH/AS-40E)

[Unit: mm]

### Front view



### Vertical type



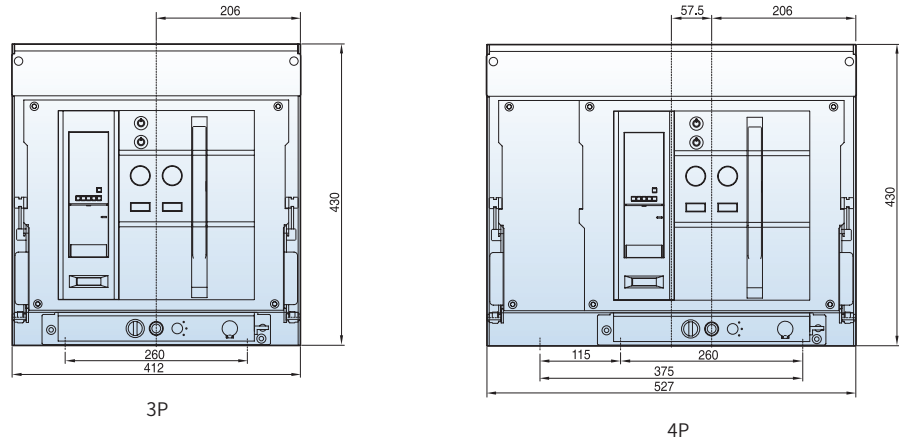
<Conductor>



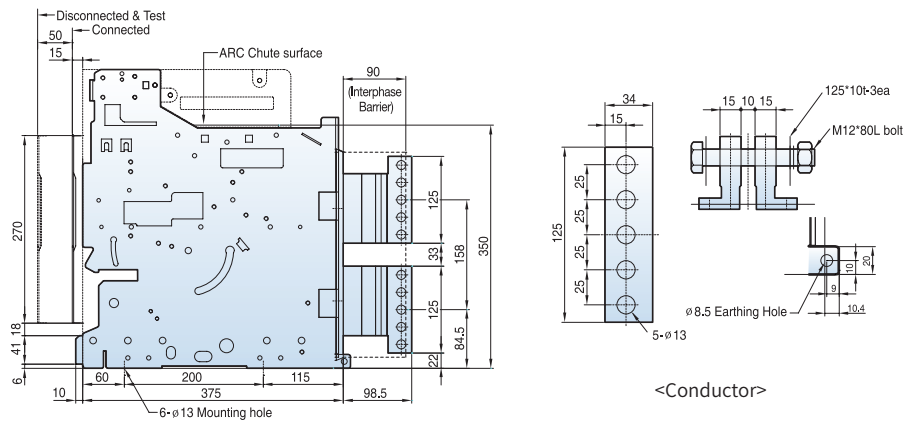
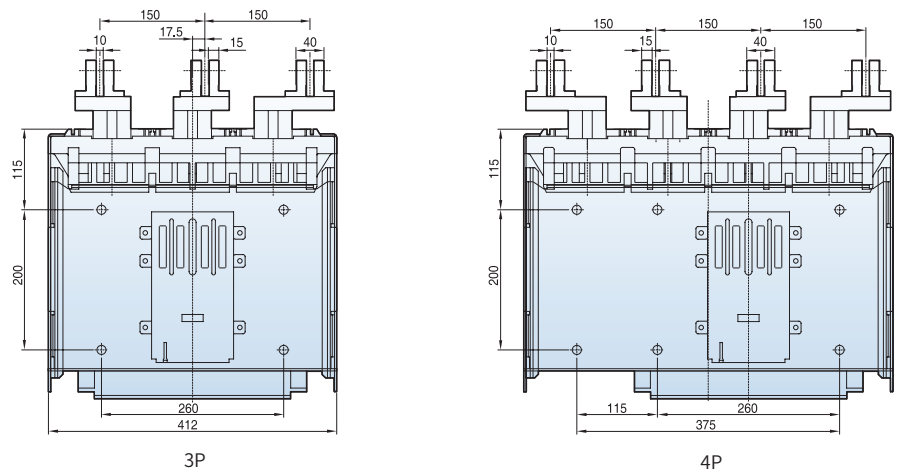
# Draw-out type 4000AF (4000A: AH/AS-40E)

[Unit: mm]

## Front view



## Vertical type

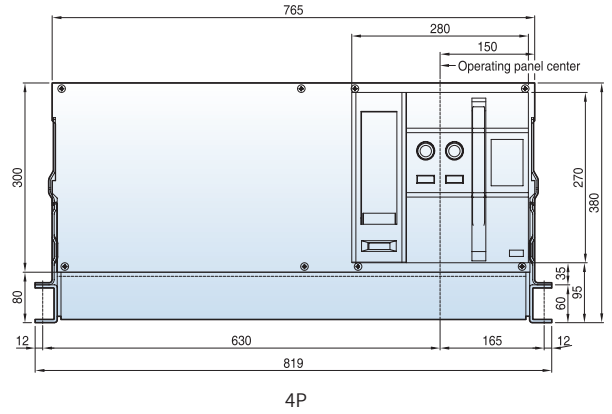
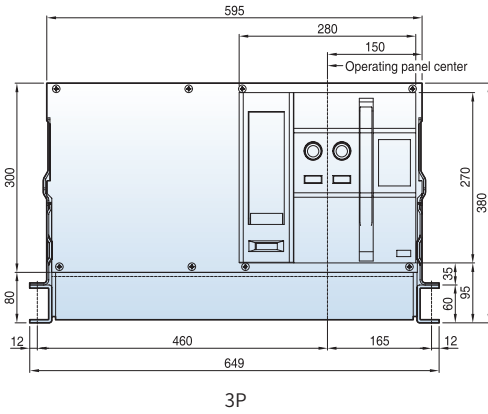


# Dimensions

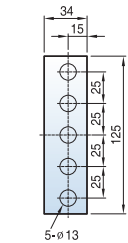
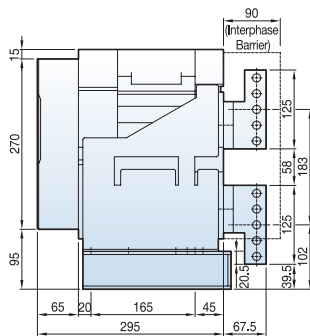
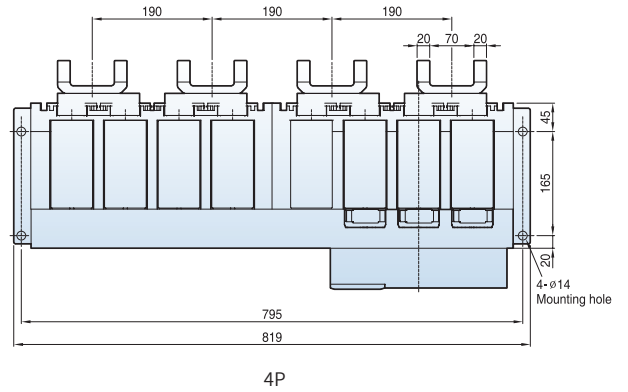
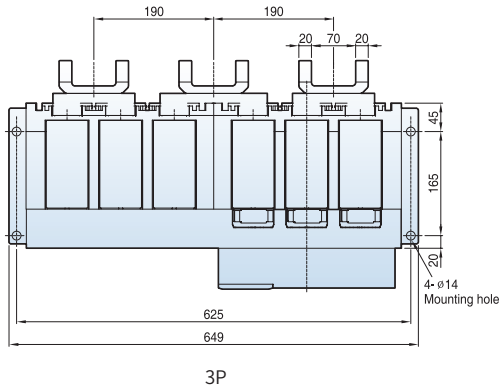
## Fixed type 5000AF (4000~5000A: AS-40~50F)

[Unit: mm]

### Front view



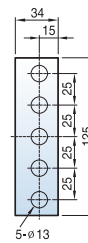
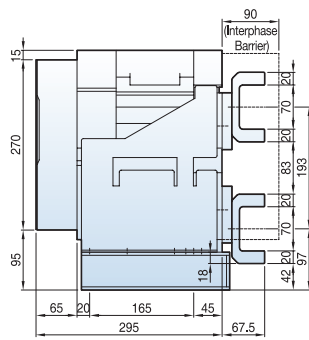
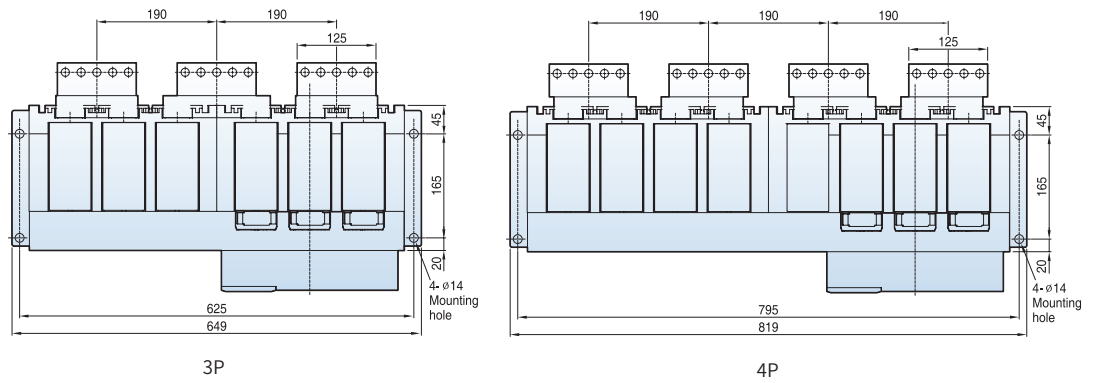
### Vertical type



<Conductor>

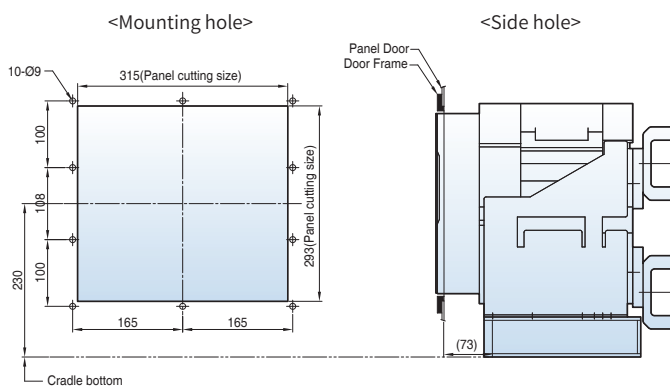
[Unit: mm]

### Horizontal type



<Conductor>

### Door Frame: DF (AH-G, AS-F)



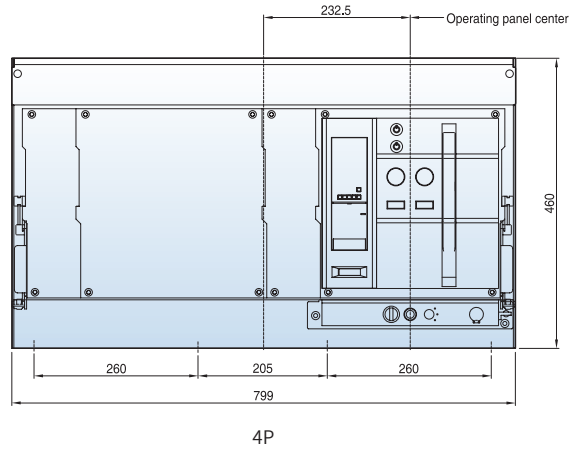
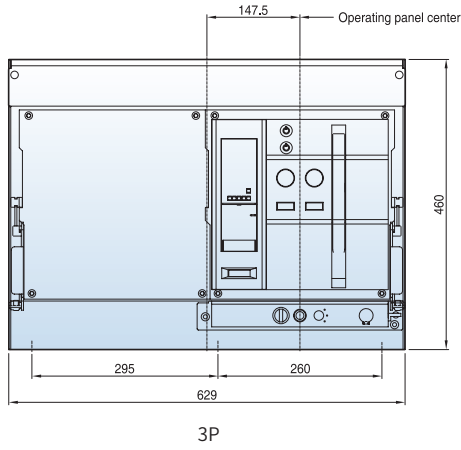
Note) The dimensions are for fixed type.

# Dimensions

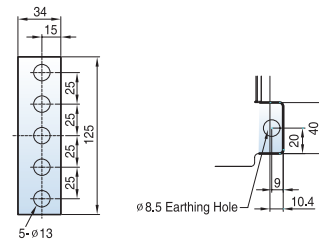
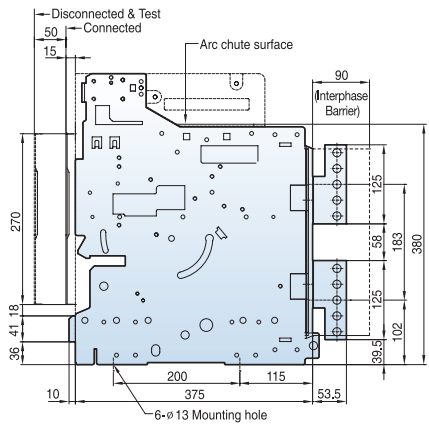
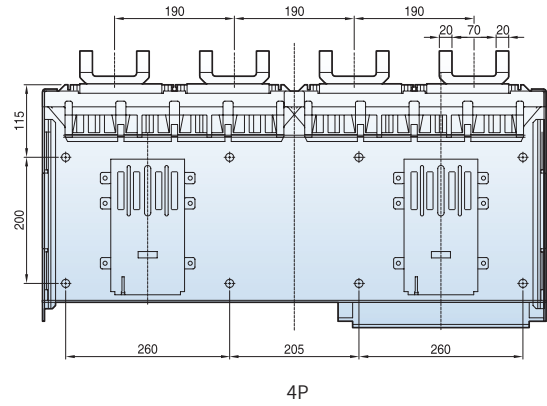
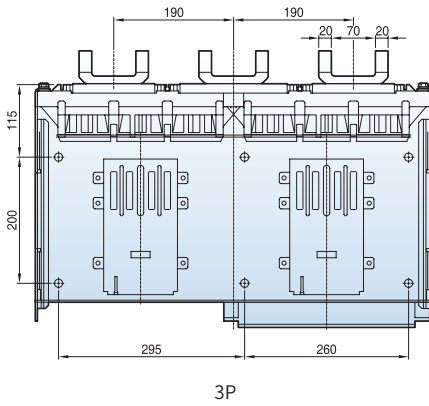
## Draw-out type 5000AF (4000~5000A: AS-40~50F)

[Unit: mm]

### Front view



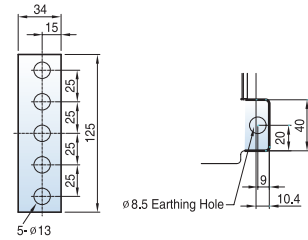
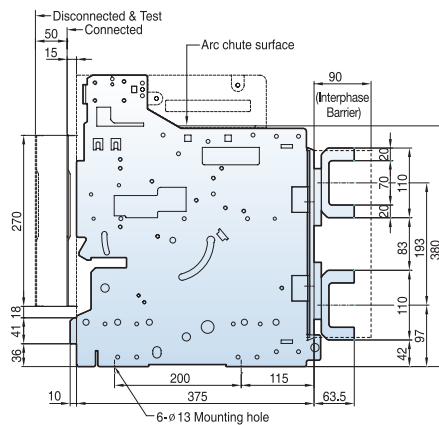
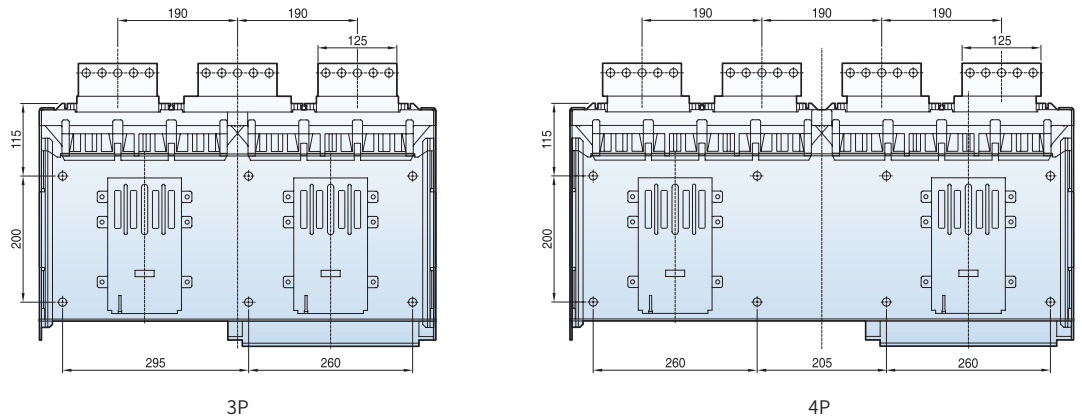
### Vertical type



<Conductor>

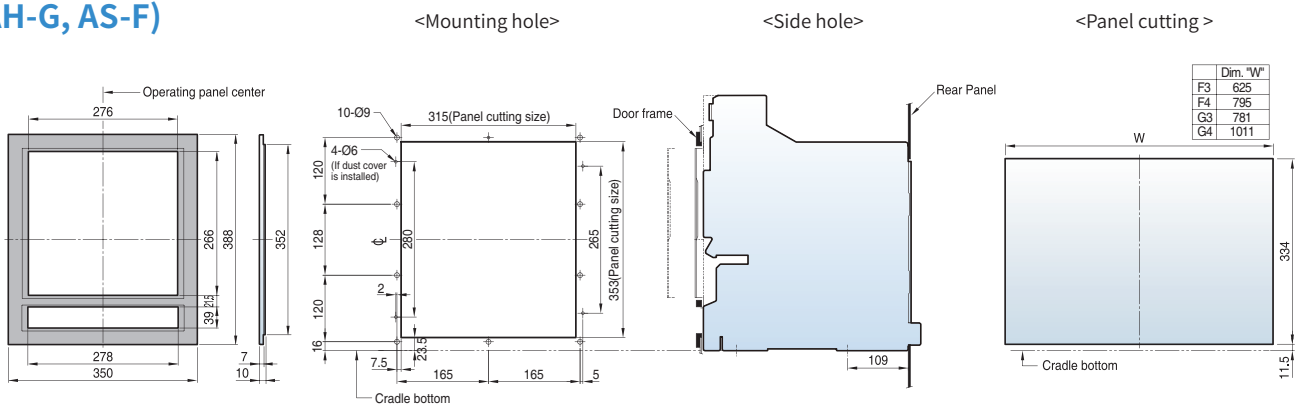
[Unit: mm]

### Horizontal type



<Conductor>

### Door Frame: DF (AH-G, AS-F)



<External size>

Note) The dimensions are for drawout type.

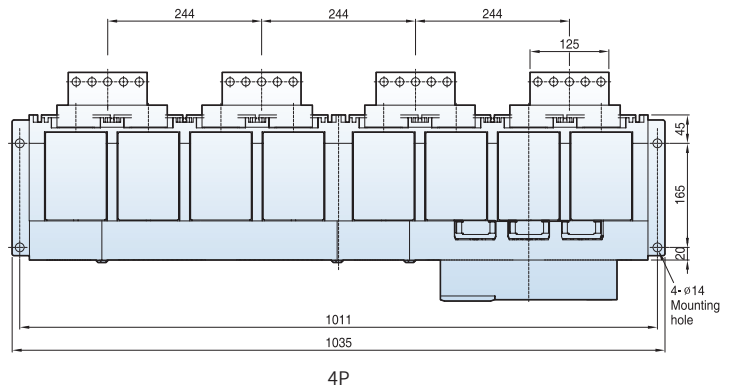
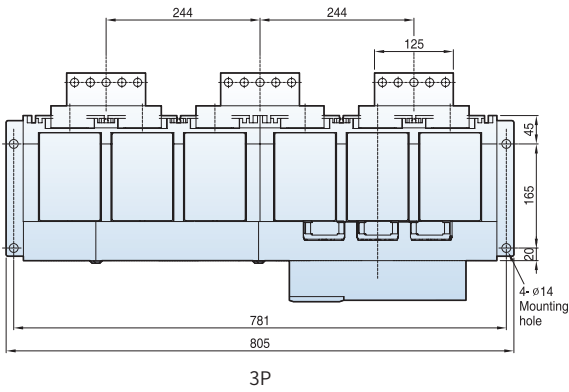




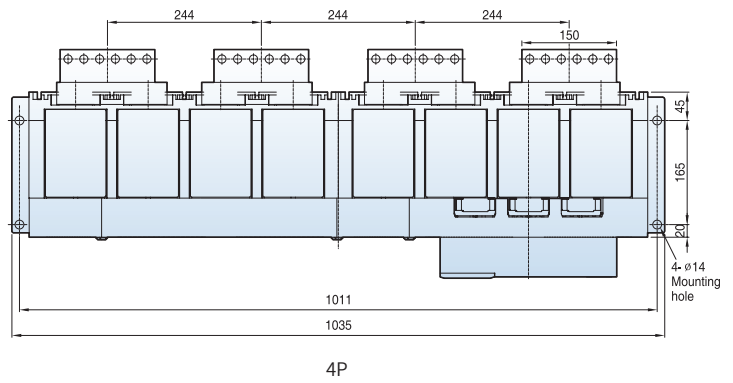
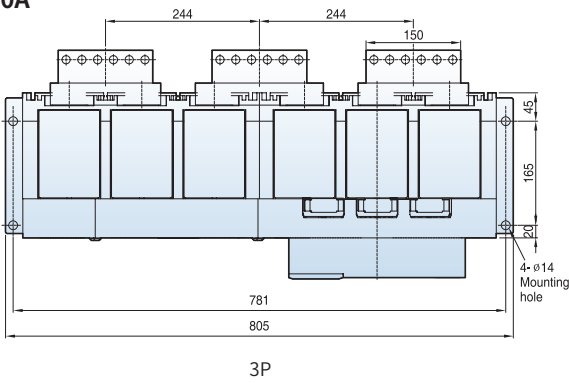
[Unit: mm]

## Horizontal type

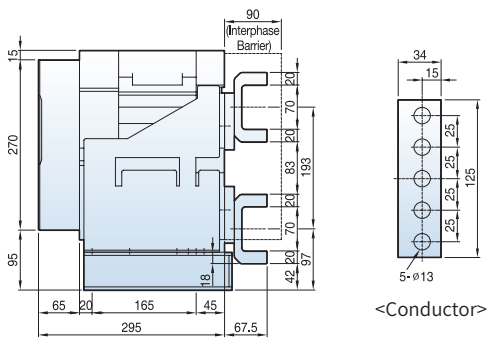
### 4000A~5000A



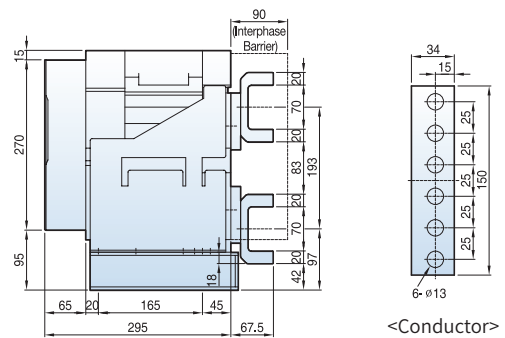
### 6300A



### 4000A~5000A



### 6300A

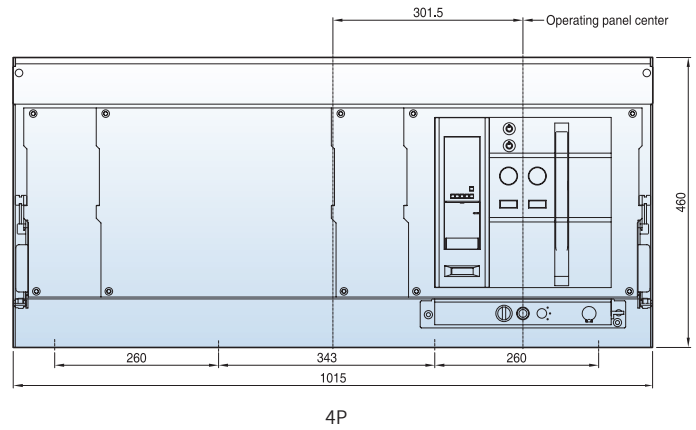
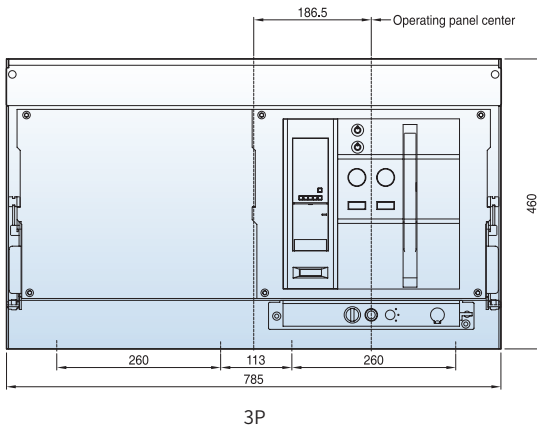


# Dimensions

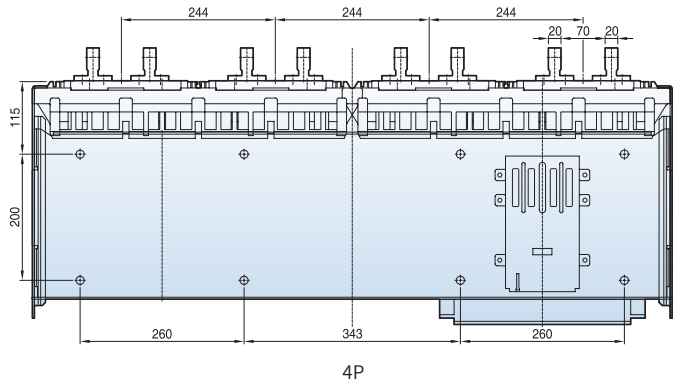
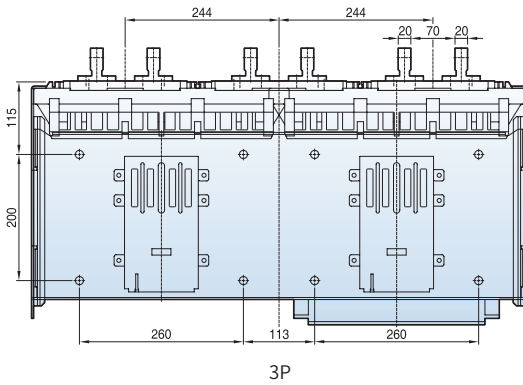
## Draw-out type 6300AF (4000A~6300A: AH/AS-40~63G)

[Unit: mm]

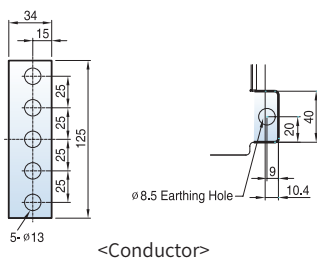
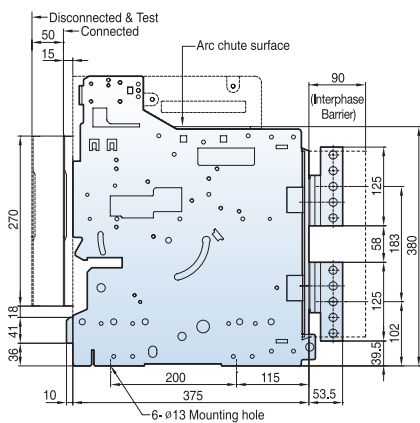
### Front view



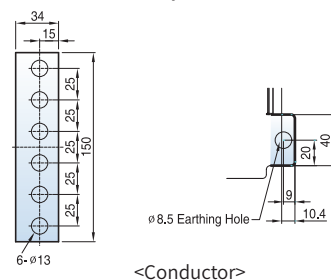
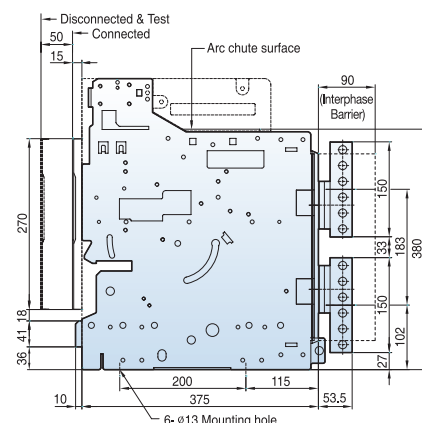
### Vertical type



### 4000A~5000A



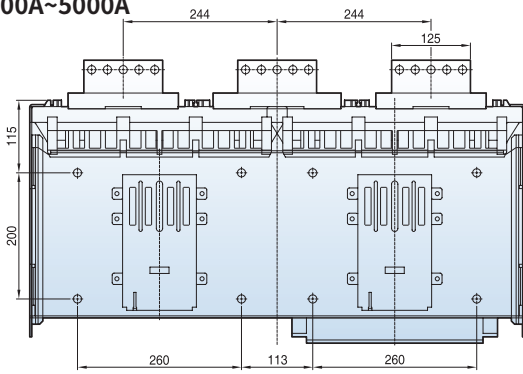
### 6300A



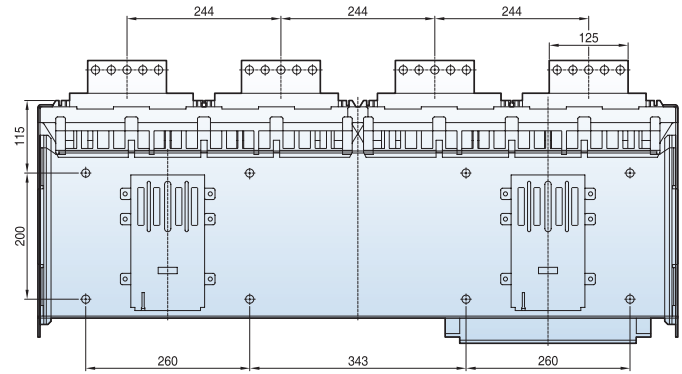
[Unit: mm]

## Horizontal type

### 4000A~5000A

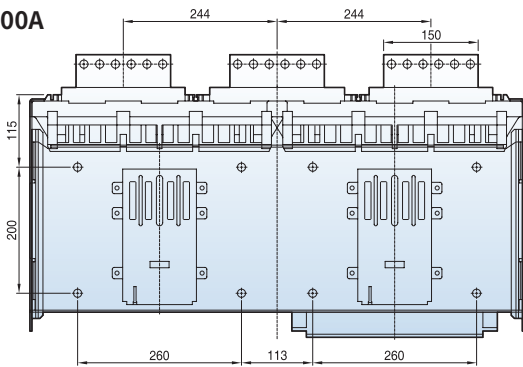


3P

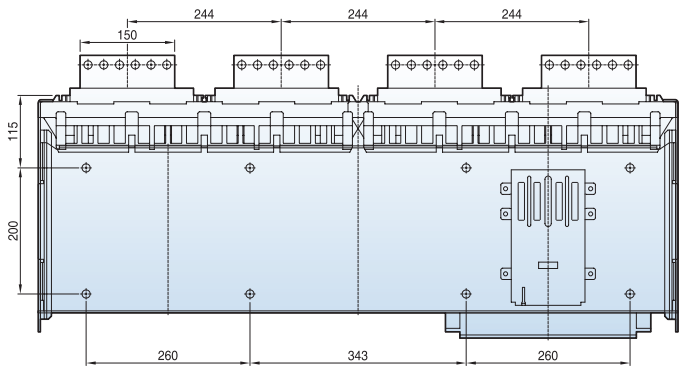


4P

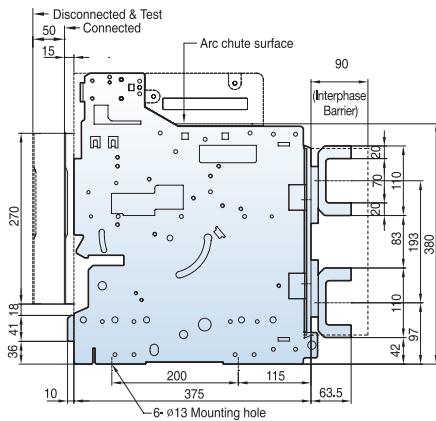
### 6300A



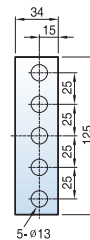
3P



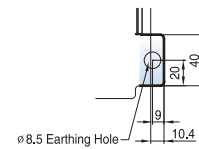
4P



### 4000A~5000A



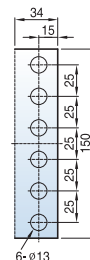
5- $\phi$ 13



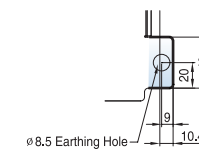
$\phi$ 8.5 Earthing Hole

<Conductor>

### 6300A



6- $\phi$ 13



$\phi$ 8.5 Earthing Hole

<Conductor>

# Dimensions

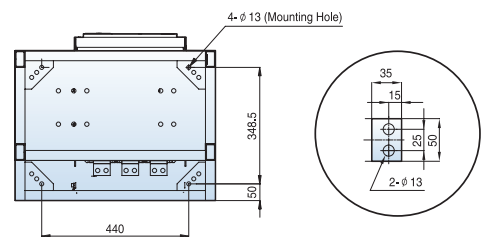
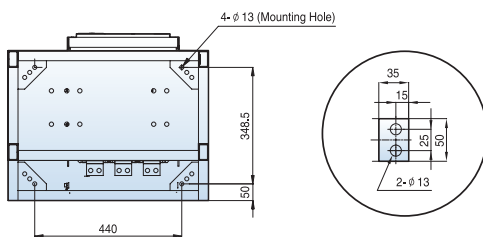
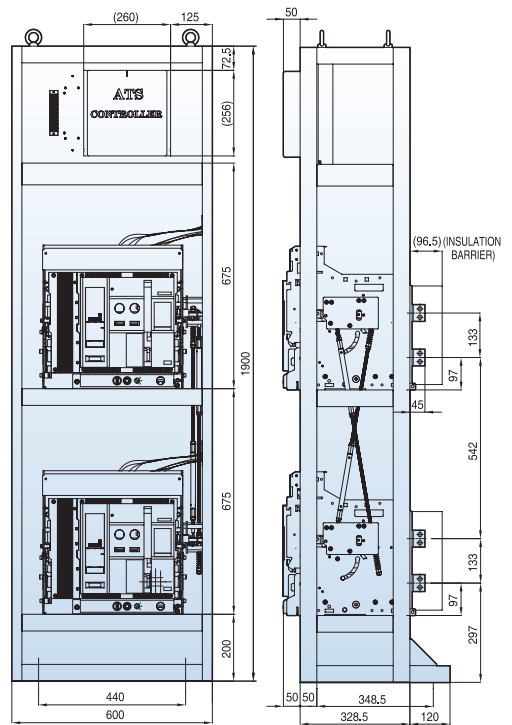
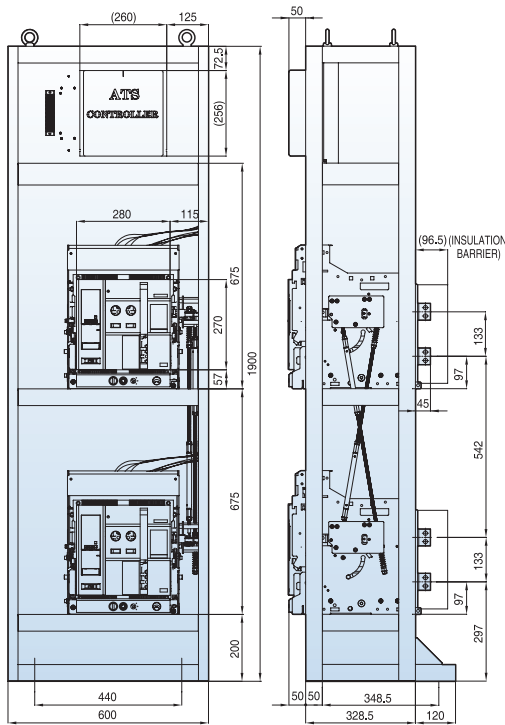
## Automatic Transfer Switch Controller [ATS]

630~2000A,  
D-3/4P

■ 16D3 (W600)

■ 16D4 (W600)

[Unit: mm]

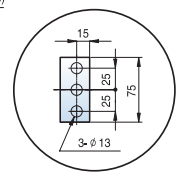
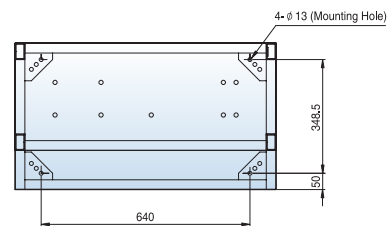
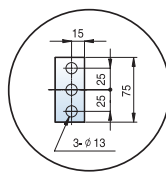
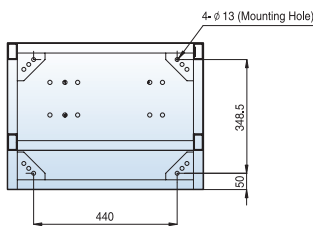
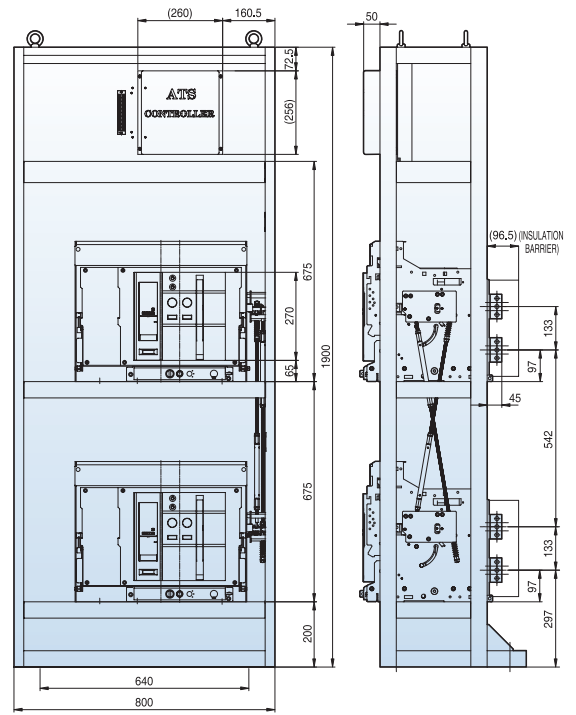
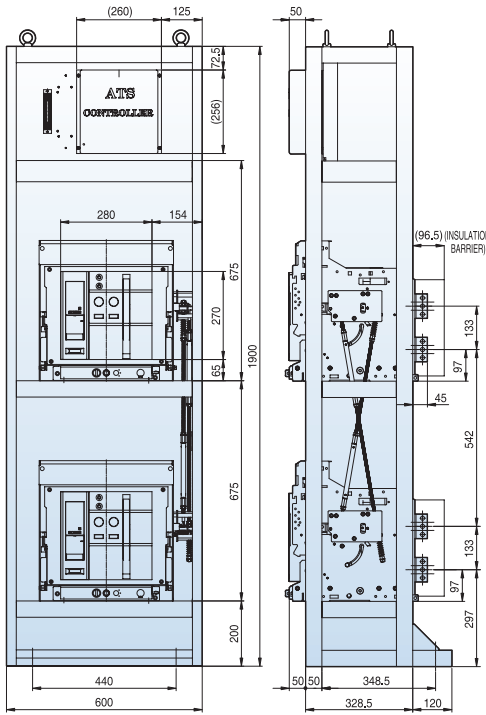


630~4000A,  
E-3/4P

■ E3 (W600)

■ E4 (W600)

[Unit: mm]



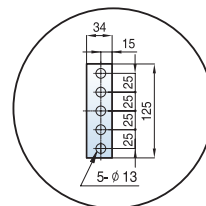
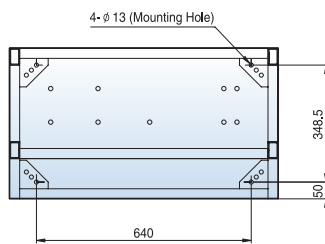
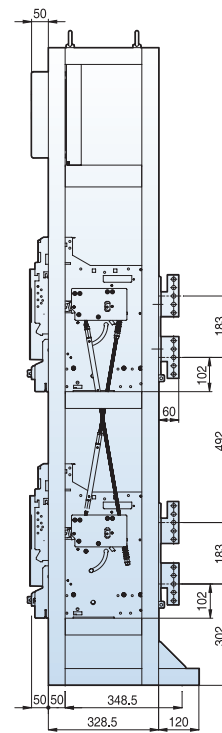
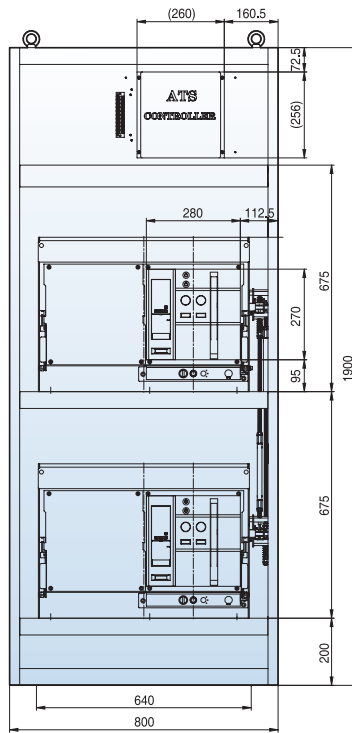
# Dimensions

## Automatic Transfer Switch Controller [ATS]

4000~5000A,  
F-3P

■ 50F3 (W800)

[Unit: mm]



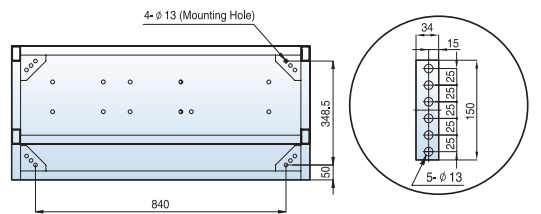
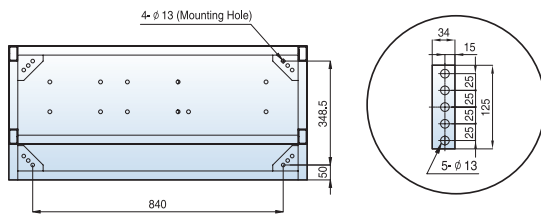
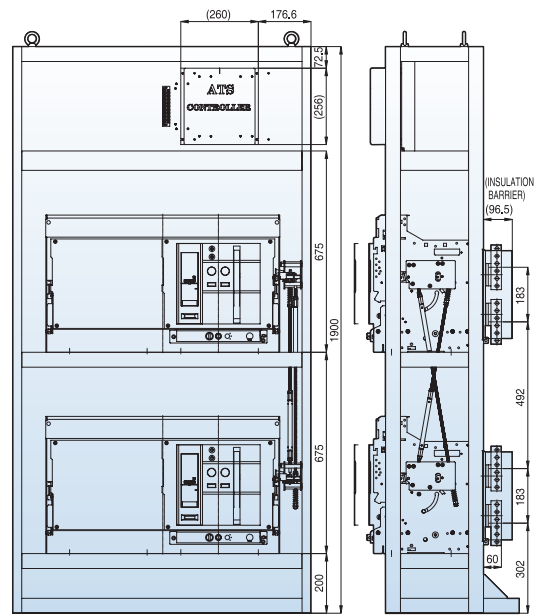
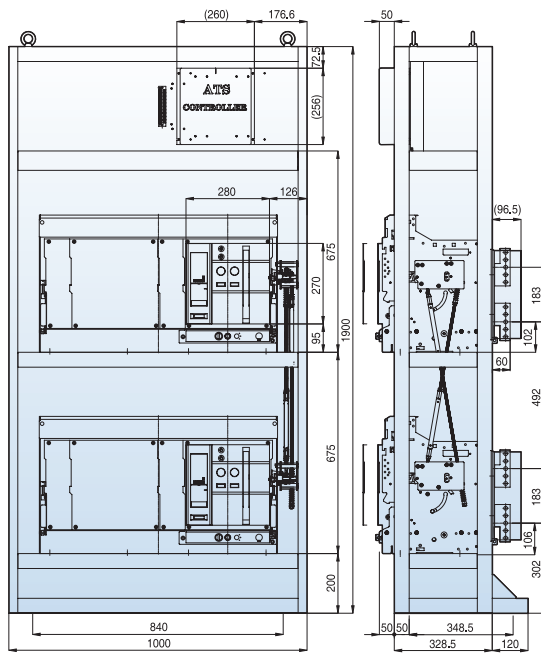


4000~6300A,  
F-4P, G-3P

■ 50F4 (W1000)

■ 63G3 (W1000)

[Unit: mm]



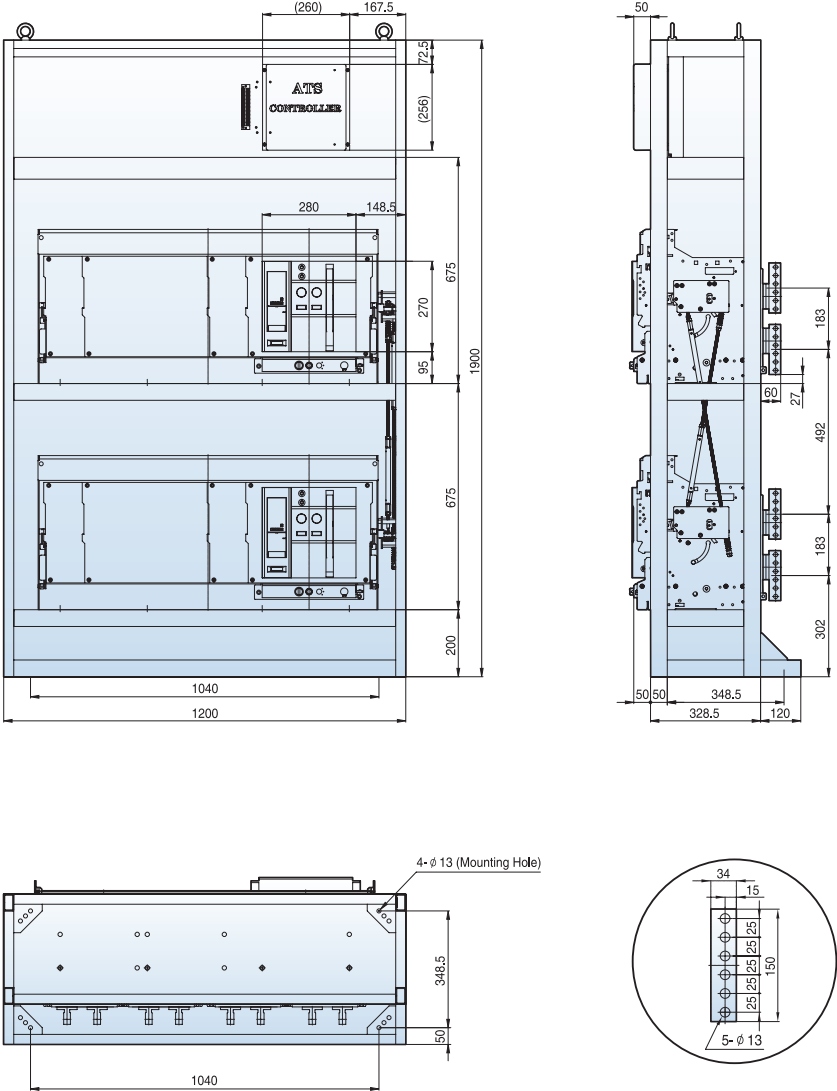
# Dimensions

## Automatic Transfer Switch Controller [ATS]

4000~6300A,  
G-4P

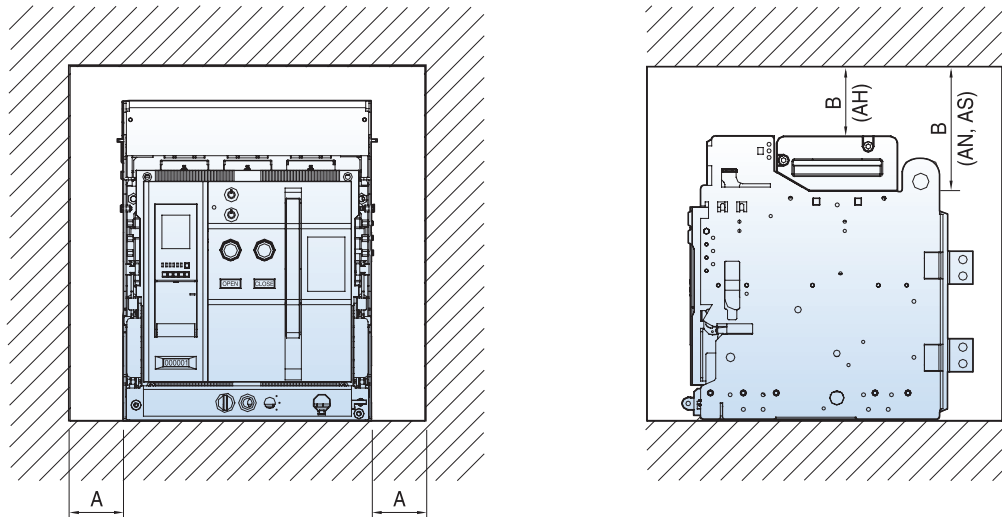
■ G4 (W1200)

[Unit: mm]



## Insulation voltage

You should keep the isolation distance between ACB and panel as below table.

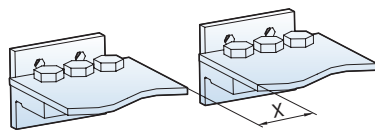


Type		A	B
Fixed	AN/AS	50	150
	AH	50	150
Draw out	AN/AS	50	150
	AH	50	0

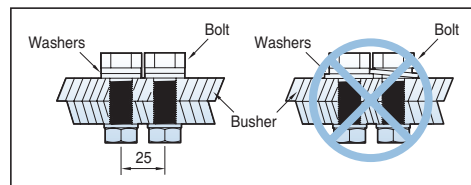
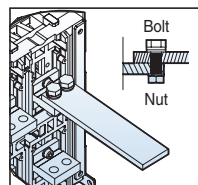
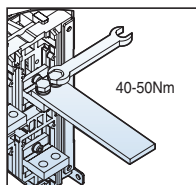
Note) When drawing the distribution panel, it is available to use regardless of the distance between ACB and the wall of the panel because Susol ACB(draw-in/out type) extinguishes the arc in the Arc Chute and Arc Cover clearly.

## Minimum isolation distance

For the safety, all the electric charging parts need to be installed over minimum isolation distance.



Insulating voltage (Ui)	Minimum isolation distance (X min)
600V	8 mm
1000V	14 mm



Screw type	Tightening torque			
	Standard(kgf·cm)	Tolerance	Standard(N.m)	Tolerance
M8	135	±16	13.3	±1.6
M10	270	±32	26.5	±3.2
M12	480	±57	46.6	±5.6

# Technical information



## Temperature derating

The table below indicates the maximum current rating, for each connection type, as a function of the ambient temperature around the circuit breaker and the busbars.

Circuit breakers with mixed connections have the same derating as horizontally connected breakers.

For ambient temperatures greater than 60°C, consult us.

Temperature inside the switchboard around the circuit breaker and its connection:  $T_i$  (IEC 60947-2)

Frame	Rated current	ACB terminal	Applicable busbar size																
				Horizontal type							Vertical type								
				40°C	45°C	50°C	55°C	60°C	65°C	70°C	40°C	45°C	50°C	55°C	60°C	65°C	70°C		
1600AF AN-D AS-D AH-D	200A	15t×50×1EA	5t×50×1EA	200A	200A	200A	200A	200A	200A	200A	200A	200A	200A	200A	200A	200A	200A		
	400A			400A	400A	400A	400A	400A	400A	400A	400A	400A	400A	400A	400A	400A	400A		
	630A		5t×50×2EA 10t×60×1EA	630A	630A	630A	630A	630A	630A	630A	630A	630A	630A	630A	630A	630A	630A	630A	
				800A	6t×50×2EA 10t×60×1EA	800A	800A	800A	800A	800A	800A	800A	800A	800A	800A	800A	800A	800A	800A
	1000A		8t×50×2EA 6t×75×2EA			1000A	1000A	1000A	1000A	1000A	1000A	1000A	1000A	1000A	1000A	1000A	1000A	1000A	1000A
				1250A	8t×60×2EA 10t×50×2EA	-	-	-	-	-	-	-	-	1250A	1250A	1250A	1250A	1250A	1250A
						1600A	6t×75×3EA 10t×60×2EA 8t×60×3EA	-	-	-	-	-	-	-	-	1600A	1600A	1580A	1550A
	2000AF AS/AH-D		15t×75×1EA	8t×75×3EA	-			-	-	-	-	-	-	2000A	2000A	1940A	1860A	1780A	1650A
				10t×100×2EA	-	-	-	-	-	-	-	-	-	-	-	-	-	-	-
	3200AF AS-E AH-E		630A	20t×75×1EA	5t×50×2EA	630A	630A	630A	630A	630A	630A	630A	630A	630A	630A	630A	630A	630A	630A
10t×60×1EA		630A			630A	630A	630A	630A	630A	630A	630A	630A	630A	630A	630A	630A	630A		
800A		6t×50×2EA 10t×60×1EA	800A		800A	800A	800A	800A	800A	800A	800A	800A	800A	800A	800A	800A	800A	800A	
			1000A		8t×50×2EA 6t×75×2EA	1000A	1000A	1000A	1000A	1000A	1000A	1000A	1000A	1000A	1000A	1000A	1000A	1000A	1000A
1250A		8t×60×2EA 10t×50×2EA				-	-	-	-	-	-	-	-	1250A	1250A	1250A	1250A	1250A	1250A
						1600A	6t×75×3EA 10t×60×2EA 8t×60×3EA	-	-	-	-	-	-	-	-	1600A	1600A	1600A	1600A
2000A		8t×75×3EA 10t×100×2EA	2000A		2000A			2000A	2000A	2000A	1900A	1800A	2000A	2000A	2000A	2000A	2000A	2000A	2000A
			2500A		10t×75×3EA 8t×75×4EA			2500A	2500A	2500A	2400A	2300A	2220A	2140A	2500A	2500A	2500A	2500A	2400A
3200A		10t×100×3EA 10t×75×4EA				-	-	-	-	-	-	-	-	3200A	3200A	3120A	3050A	2950A	2650A
			3200A		3200A	3100A	3000A	2900A	2600A	2460A	3200A	3200A	3120A	3050A	2950A	2650A	2530A		
4000AF AS/AH-E		4000A	10t×100×3EA		10t×100×4EA	-	-	-	-	-	-	-	4000A	4000A	3950A	3800A	3680A	3310A	3160A
					10t×75×5EA	-	-	-	-	-	-	-	-	-	-	-	-	-	-
5000AF AS-F	4000A	20t×125×2EA	10t×100×4EA	4000A	4000A	3920A	3860A	3800A	3650A	3500A	4000A	4000A	3960A	3900A	3880A	3750A	3620A		
	5000A		10t×125×4EA	5000A	5000A	4900A	4800A	4700A	4000A	3800A	5000A	5000A	4950A	4900A	4850A	4140A	3950A		
6300AF AS-G AH-G	4000A	20t×125×2EA	10t×100×4EA	4000A	4000A	4000A	4000A	4000A	4000A	4000A	4000A	4000A	4000A	4000A	4000A	4000A	4000A		
	5000A		10t×125×4EA	5000A	5000A	4900A	4820A	4750A	4690A	4490A	5000A	5000A	4950A	4870A	4850A	4830A	4630A		
	6300A	20t×150×2EA	10t×150×4EA	6300A	6300A	6170A	6040A	5900A	5020A	4780A	6300A	6300A	6220A	6160A	6100A	5220A	4980A		

## Operating conditions

### Ambient temperature

ACB devices can operate under the following temperature conditions

- The electrical and mechanical characteristics are stipulated for an ambient temperature of -5°C to +40°C
- The average temperature should be within +35°C
- Reduce the continuous conducting current when the temperature is over 45°C (refer to temperature derating)
- Storage condition : -20°C to +60°C is recommended.

### Altitude

ACB is designed for operation at altitudes under 2000m. At altitudes higher than 2000m, emitting heat is lowered and operating voltage, continuous current capacity, and breaking capacity will be reduced. Durability of the insulation is also reduced according to the atmosphere pressure.

According to the below table, change the ratings upon a service condition.

Item	Altitude [m]	2000m	3000m	4000m	5000m
Withstand voltage [V]		3500	3150	2500	2100
Average insulating voltage [V]		1000	900	700	600
Max. using voltage [V]		690	620	540	470
Current compensation constant		1×In	0.98×In	0.96×In	0.94×In

### Environment

Under clean air;

Maximum temperature +40°C (relative humidity should be under 85%)

Maximum temperature +20°C (relative humidity should be under 90%)

Do not apply under corrosive or ammonia gas circumstances

(H<sub>2</sub>S ≤ 0.01ppm, SO<sub>2</sub> ≤ 0.01ppm, NH<sub>3</sub> ≤ a few ppm)

#### \* Extreme atmosphere conditions

Under high temperature and/or high humidity, the insulation durability, electrical and mechanical features could be deteriorated. At this conditions, increasing corrosion-resistant dealing needs. Corrosion-resistant parts need under this conditions.

Inspection and Maintenance should be performed periodically which referred to inspection and replacement period in maintenance manual. The recommended product replacement cycle is 10 years from manufacturing date.

### Internal resistance and power consumption

AF	Rated current (A)	Fixed type		Draw-out type	
		Inner resistance (mΩ)	Power consumption (W/3Phase)	Inner resistance (mΩ)	Power consumption (W/3Phase)
AN-16D	630	0.02	24	0.04	48
	800	0.02	38	0.04	77
	1,000	0.02	60	0.04	120
	1,250	0.02	94	0.04	188
	1,600	0.02	154	0.04	307
AH/AS-20D	630	0.015	18	0.03	36
	800	0.015	29	0.03	58
	1,000	0.015	45	0.03	90
	1,250	0.015	70	0.03	141
	1,600	0.015	115	0.03	230
AH/AS-32E	2,000	0.013	156	0.027	324
	2,000	0.01	120	0.02	240
	2,500	0.01	188	0.02	375
AH/AS-40E	3,200	0.01	307	0.02	614
	2,000	0.01	120	0.02	240
	2,500	0.01	188	0.02	375
AS-50F	3,200	0.01	307	0.02	614
	4,000	0.008	384	0.011	528
	4,000	0.008	384	0.011	528
AH/AS-63G	5,000	0.008	600	0.011	825
	4,000	0.006	288	0.009	432
	5,000	0.006	450	0.009	675
	6,300	0.005	595	0.007	833

Note) 1. Above power consumption is whole power consumption for each Rated current, 50/60Hz, 3/4pole.

2. This is inner assistant value per 1 pole.

3. Power factor = 1.0

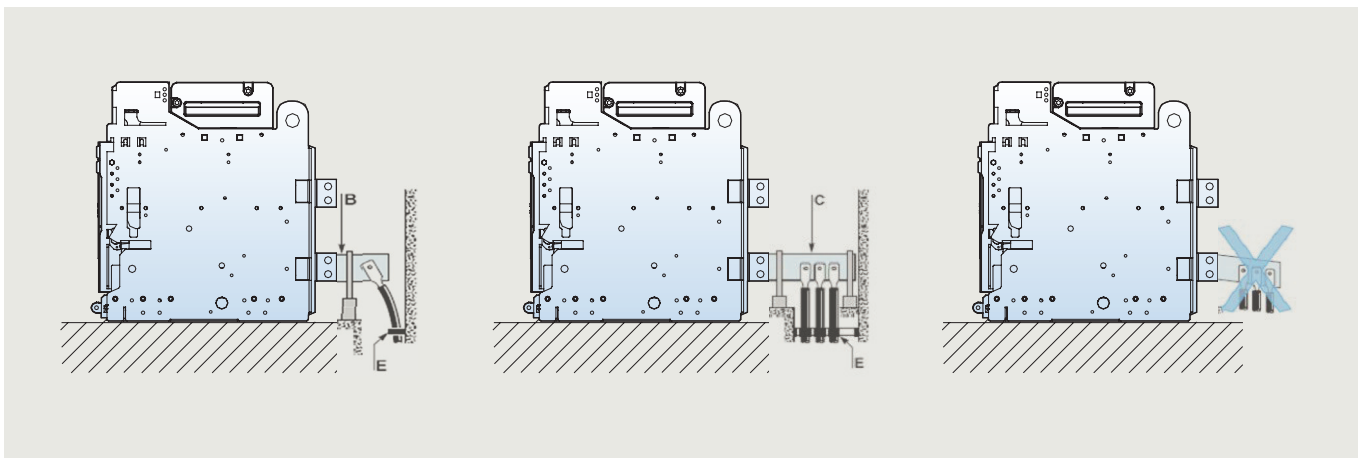
# Technical information

## Installation recommendation

### BUS-BAR Connection

#### Cables connections

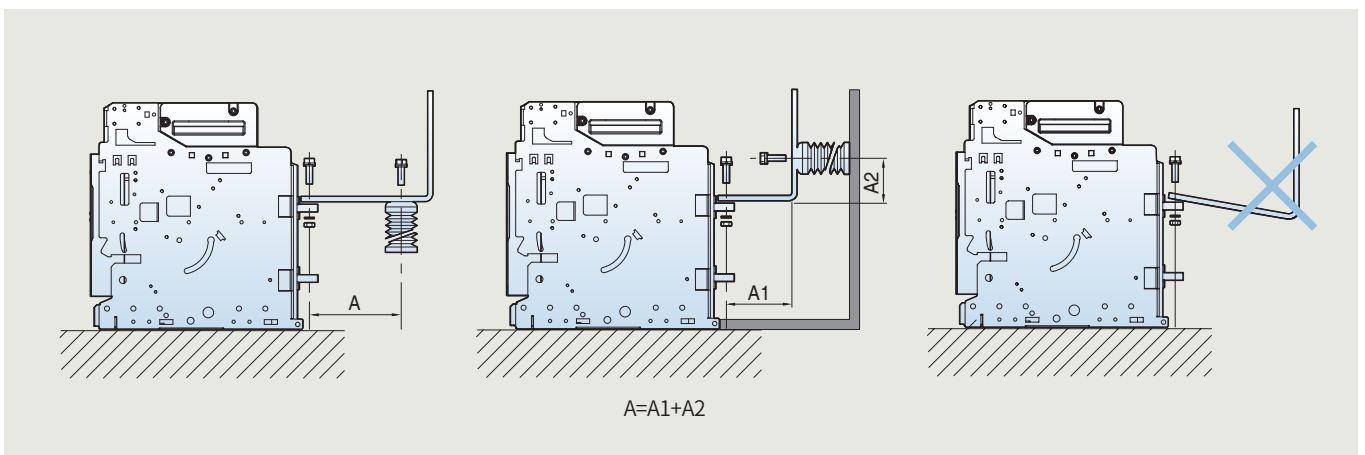
Make sure that no excessive mechanical force put on the rear terminals for cable connection. Extension terminal is fixed such as B, C and cable is to fixed to the frame such as E



#### Bus-bar connection

For busbar connection, connect access parts with a provided torque and fix with parallel installing the support not to apply terminal weight to circuit breaker.

In order to prevent the spread safety or secondary accidents, secure maximum safe distance A (Table 1) from the access area to withstand the electrical force during the short circuit faults.

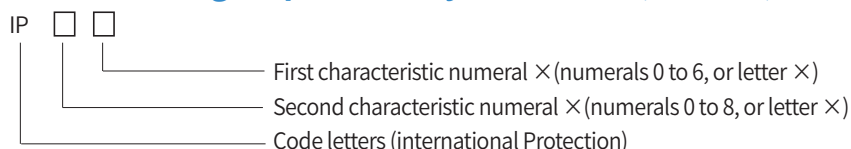


(Table 1) Maximum safe distance A

Short capacity (kA)	30	50	65	80	100	150
Length A (mm)	350	300	250	150	150	150

## Installation recommendation

### Protection degree provided by enclosures (IP Code) IEC 60529



#### First characteristic numeral

	Degree of protection	
	Brief description	Definition
0	Non-protected	-
1	Protected against solid foreign objects of 50mm Ø and greater	The object probe sphere of 50mm Ø, shall not fully penetrate
2	Protected against solid foreign objects of 12.5mm Ø and greater	The object probe sphere of 12.5mm Ø, shall not fully penetrate
3	Protected against solid foreign objects of 2.5mm Ø and greater	The object probe sphere of 2.5mm Ø, shall not penetrate at all
4	Protected against solid foreign objects of 1.0mm Ø and greater	The object probe of 1.0mm Ø, shall not penetrate at all
5	Dust-protected	Ingress of dust is not totally prevented, but dust shall not penetrate in a quantity to interfere with satisfactory operation of the apparatus or to impair safety
6	Dust-tight	No ingress of dust

#### Second characteristic numeral

	Degree of protection	
	Brief description	Definition
0	Non-protected	-
1	Protected against vertically falling water drops	Vertically falling drops shall have no harmful effects
2	Protected against vertically falling water drops when enclosure tilted up to 15°	Vertically falling drops shall have no harmful effects when the enclosure is tilted at any angle up to 15° on either side of the vertical
3	Protected against spraying water	Water sprayed at an angle up to 60° on either side of the vertical shall have no harmful effects
4	Protected against spraying water	Water splashed against the enclosure from any direction shall have no harmful effects
5	Protected against spraying jets	Water projected in powerful jets against the enclosure from any direction shall have no harmful effects
6	Protected against powerful water jets	Water projected in powerful jets against the enclosure from any direction shall have no harmful effects
7	Protected against the effects of temporary immersion in water	Ingress of water in quantities causing harmful effects shall not be possible when the enclosure is temporarily immersed in water under standardized conditions of pressure and time
8	Protected against the effects of continuous immersion in water	Ingress of water in quantities causing harmful effects shall not be possible when the enclosure is continuously immersed in water under conditions which shall be agreed between manufacturer and user but which are more severe than for numeral 7



# Technical information

## Installation recommendation

### Derating table



ambient temperature outside of the switchboard: Ta (IEC 60439-1)

Switchboard composition (2300×800×900)													
Connection type		AS/AH-06/08E, AN-06/08D					AS/AH-10E, AN-10D						
Model type		AS/AH-06/08E, AN-06/08D					AS/AH-10E, AN-10D						
Busbar dimensions(mm)		2EA-50×6					2EA-50×8						
<b>Ventilated switchboard(IP31)</b>  Area of outlet vents: 350cm <sup>2</sup> Area of inlet vents: 350cm <sup>2</sup>	Ta=35°C	4					800 ↓						
		3					800 ↓	800 ↓				1000	
		2				800 ↓	800 ↓	800 ↓				1000	1000
		1	800 ↓	800 ↓	800 ↓	800 ↓	800 ↓	800 ↓	1000	1000	1000	1000	
	Ta=45°C	4						800 ↓					
		3					800 ↓	800 ↓					1000
		2				800 ↓	800 ↓	800 ↓				1000	1000
		1	800 ↓	800 ↓	800 ↓	800 ↓	800 ↓	800 ↓	1000	1000	1000	1000	
	Ta=55°C	4						800 ↓					
		3					800 ↓	800 ↓					1000
		2				800 ↓	800 ↓	800 ↓				1000	1000
		1	800 ↓	800 ↓	800 ↓	800 ↓	800 ↓	800 ↓	1000	1000	1000	1000	
<b>Non Ventilated switchboard(IP41/54)</b> 	Ta=35°C	4					800 ↓						
		3					800 ↓	800 ↓					1000
		2				800 ↓	800 ↓	800 ↓				1000	1000
		1	800 ↓	800 ↓	800 ↓	800 ↓	800 ↓	800 ↓	1000	1000	1000	1000	
	Ta=45°C	4	800 ↓										
		3					800 ↓	800 ↓					1000
		2				800 ↓	800 ↓	800 ↓				1000	1000
		1	800 ↓	800 ↓	800 ↓	800 ↓	800 ↓	800 ↓	1000	1000	1000	1000	
	Ta=55°C	4	800 ↓										
		3					800 ↓	800 ↓					1000
		2				800 ↓	800 ↓	800 ↓				1000	1000
		1	800 ↓	800 ↓	800 ↓	800 ↓	800 ↓	800 ↓	1000	1000	1000	1000	

# Installation recommendation

## Derating table

ambient temperature outside of the switchboard: Ta (IEC 60439-1)



Switchboard composition (2300×800×900)		AS/AH-13E, AN-13D				AS/AH-16E, AN-16D		
		2EA-75×6				2EA-60×10		
Ventilated switchboard(IP31)  Area of outlet vents: 350cm² Area of inlet vents: 350cm²	Ta=35°C	4						
		3				1250		
		2			1250	1250		1600
		1	1250	1250	1250	1250	1600	1600
	Ta=45°C	4				1250		
		3				1250		1600
		2			1250	1250		1600
		1	1250	1250	1250	1250	1600	1600
	Ta=55°C	4				1250		
		3				1250		1470
		2			1250	1250		1600
		1	1250	1250	1250	1250	1500	1600
Non Ventilated switchboard(IP41/54) 	Ta=35°C	4						
		3				1250		
		2			1250	1250		1600
		1	1250	1250	1250	1250	1600	1600
	Ta=45°C	4				1250		
		3				1250		1500
		2			1250	1250		1600
		1	1250	1250	1250	1250	1480	1600
	Ta=55°C	4				1250		
		3				1250		1400
		2			1250	1250		1500
		1	1250	1250	1250	1250	1400	1520

# Technical information

## Installation recommendation

### Derating table



ambient temperature outside of the switchboard: Ta (IEC 60439-1)

Switchboard composition (2300×800×900)		Connection type		AN/AS/AH-20E		AN/AS/AH-25E		AN/AS/AH-32E		AS/AH-40E		
Model type		Busbar dimensions(mm)		2EA-75×10		3EA-75×10		4EA-75×10		2EA-75×10		
<b>Ventilated switchboard (IP31)</b>  Area of outlet vents: 350cm <sup>2</sup> Area of inlet vents: 350cm <sup>2</sup>	Ta=35°C	4										
		3			2000							
		2	2000	2000	2000	2400	2500	3100	3200		3750	
	1											
	Ta=45°C	4										
		3			2000							
		2	2000	2000	2000	2300	2400	2900	3100		3550	
	1											
	Ta=55°C	4										
		3			2000							
		2	2000	2000	2000	2200	2300	2700	2900		3300	
	1											
<b>Non Ventilated switchboard (IP41/54)</b> 	Ta=35°C	4										
		3			2000							
		2	2000	2000	2000	2115	2275	2650	2850		3320	
	1											
	Ta=45°C	4										
		3			1900							
		2	1900	1960	1960	2000	2150	2550	2700		3120	
	1											
	Ta=55°C	4										
		3			1780							
		2	1800	1920	1920	1900	2020	2370	2530		2960	
	1											

# Installation recommendation

## Derating table

ambient temperature outside of the switchboard: Ta (IEC 60439-1)

Switchboard composition (2300×800×900)		AS-40F		AS-50F		AS/AH-40G		AS/AH-50G		AS/AH-63G	
Connection type		4EA-100×10		4EA-125×10		4EA-100×10		4EA-125×10		4EA-150×10	
<b>Ventilated switchboard (IP31)</b>  Area of outlet vents: 500cm <sup>2</sup> Area of inlet vents: 500cm <sup>2</sup>	Ta=35°C	4									
		3									
		2	3900	4000	4750	4800	4000	4000	4750	5000	5850
		1									
	Ta=45°C	4									
		3									
		2	3850	3900	4350	4650	4000	4000	4450	4850	5670
		1									
	Ta=55°C	4									
		3									
		2	3800	3850	4200	4400	4000	4000	4200	4600	5350
		1									
<b>Non Ventilated switchboard (IP41/54)</b> 	Ta=35°C	4									
		3									
		2	3800	3900	4200	4550	4000	4000	4400	4650	5290
		1									
	Ta=45°C	4									
		3									
		2	3650	3800	3950	4250	4000	4000	4100	4400	5040
		1									
	Ta=55°C	4									
		3									
		2	3550	3650	3700	4050	3900	3950	3850	4150	4730
		1									

# Technical information

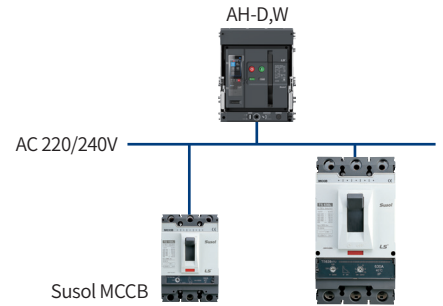
## Protective coordination

Rated voltage: AC 220/240V

Main breaker(Main ACB): Susol ACB

Downstream breaker(Downstream MCCB): Susol MCCB TD/TS series

Below protective coordination table is based on ACB equipped with OCR under arrangement of short time delay trip current as 10 times of rated current.



Upstream breaker		Product type	Susol AH series										
			AH-D,W										
			AH-06D			AH-08D			AH-10D	AH-13D	AH-16D	AH-20D	
Downstream breaker	Rated current [A]	Short time delay trip current (Max. 10In) Is [kA]	200	400	630	400	630	800	1000	1250	1600	2000	
	Model		Rated current [A]	Ultimate breaking capacity Icu [kA]	85	85	85	85	85	85	85	85	85
Susol MCCB	TD100N	100	85	T	T	T	T	T	T	T	T	T	T
	TD100H	100	100	T	T	T	T	T	T	T	T	T	T
	TD100L	100	200	T	T	T	T	T	T	T	T	T	T
	TD160N	160	85	T	T	T	T	T	T	T	T	T	T
	TD160H	160	100	T	T	T	T	T	T	T	T	T	T
	TD160L	160	200	T	T	T	T	T	T	T	T	T	T
	TS100N	100	100	T	T	T	T	T	T	T	T	T	T
	TS100H	100	120	T	T	T	T	T	T	T	T	T	T
	TS100L	100	200	T	T	T	T	T	T	T	T	T	T
	TS160N	160	100	T	T	T	T	T	T	T	T	T	T
	TS160H	160	120	T	T	T	T	T	T	T	T	T	T
	TS160L	160	200	T	T	T	T	T	T	T	T	T	T
	TS250N	250	100	-	T	T	T	T	T	T	T	T	T
	TS250H	250	120	-	T	T	T	T	T	T	T	T	T
	TS250L	250	200	-	T	T	T	T	T	T	T	T	T
	TS400N	400	100	-	-	T	-	T	T	T	T	T	T
	TS400H	400	120	-	-	T	-	T	T	T	T	T	T
	TS400L	400	200	-	-	T	-	T	T	T	T	T	T
	TS630N	630	100	-	-	-	-	-	T	T	T	T	T
	TS630H	630	120	-	-	-	-	-	T	T	T	T	T
TS630L	630	200	-	-	-	-	-	T	T	T	T	T	
TS800N	800	100	-	-	-	-	-	-	T	T	T	T	
TS800H	800	120	-	-	-	-	-	-	T	T	T	T	
TS800L	800	200	-	-	-	-	-	-	T	T	T	T	

Note) 1. On table, protective coordination is not available for areas where number is missing.  
 2. On table, marked number is breaking capacity limit (Unit: kA) for protective coordination.  
 3. On table, areas that is marked as T are capable of total discrimination up to its Downstream breaker's rated short breaking capacity.

## Protective coordination

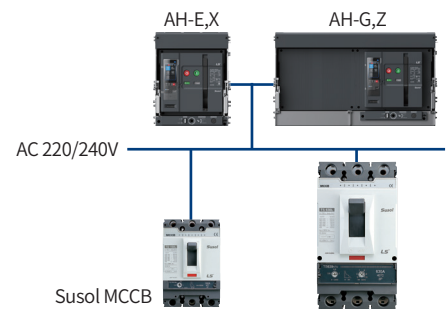
Rated voltage: AC 220/240V

Main breaker(Main ACB): Susol ACB

Downstream breaker(Downstream MCCB): Susol MCCB TD/TS series

Below protective coordination table is based on ACB equipped with OCR

under arrangement of short time delay trip current as 10 times of rated current.



Downstream breaker		Upstream breaker		Product type	Susol AH series												
					AH-E,X											AH-G,Z	
					AH-06E		AH-08E	AH-10E	AH-13E	AH-16E	AH-20E	AH-25E	AH-32E	AH-40E	AH-40G	AH-50G	AH-63G
				Rated current [A]	400	630	800	1000	1250	1600	2000	2500	3200	4000	4000	5000	6300
				Short time delay trip current (Max. 10In) Is [kA]	4	6.3	8	10	12.5	16	20	25	32	40	40	50	63
Model	Rated current [A]	Ultimate breaking capacity Icu [kA]	100											150			
Susol MCCB	TD100N	100	85	T	T	T	T	T	T	T	T	T	T	T	T	T	T
	TD100H	100	100	T	T	T	T	T	T	T	T	T	T	T	T	T	T
	TD100L	100	200	T	T	T	T	T	T	T	T	T	T	T	T	T	T
	TD160N	160	85	T	T	T	T	T	T	T	T	T	T	T	T	T	T
	TD160H	160	100	T	T	T	T	T	T	T	T	T	T	T	T	T	T
	TD160L	160	200	T	T	T	T	T	T	T	T	T	T	T	T	T	T
	TS100N	100	100	T	T	T	T	T	T	T	T	T	T	T	T	T	T
	TS100H	100	120	T	T	T	T	T	T	T	T	T	T	T	T	T	T
	TS100L	100	200	T	T	T	T	T	T	T	T	T	T	T	T	T	T
	TS160N	160	100	T	T	T	T	T	T	T	T	T	T	T	T	T	T
	TS160H	160	120	T	T	T	T	T	T	T	T	T	T	T	T	T	T
	TS160L	160	200	T	T	T	T	T	T	T	T	T	T	T	T	T	T
	TS250N	250	100	T	T	T	T	T	T	T	T	T	T	T	T	T	T
	TS250H	250	120	T	T	T	T	T	T	T	T	T	T	T	T	T	T
	TS250L	250	200	T	T	T	T	T	T	T	T	T	T	T	T	T	T
	TS400N	400	100	-	T	T	T	T	T	T	T	T	T	T	T	T	T
	TS400H	400	120	-	T	T	T	T	T	T	T	T	T	T	T	T	T
	TS400L	400	200	-	T	T	T	T	T	T	T	T	T	T	T	T	T
	TS630N	630	100	-	-	T	T	T	T	T	T	T	T	T	T	T	T
	TS630H	630	120	-	-	T	T	T	T	T	T	T	T	T	T	T	T
TS630L	630	200	-	-	T	T	T	T	T	T	T	T	T	T	T	T	
TS800N	800	100	-	-	-	T	T	T	T	T	T	T	T	T	T	T	
TS800H	800	120	-	-	-	T	T	T	T	T	T	T	T	T	T	T	
TS800L	800	200	-	-	-	T	T	T	T	T	T	T	T	T	T	T	

Note) 1. On table, protective coordination is not available for areas where number is missing.  
 2. On table, marked number is breaking capacity limit (Unit: kA) for protective coordination.  
 3. On table, areas that is marked as T are capable of total discrimination up to its Downstream breaker's rated short breaking capacity.

# Technical information

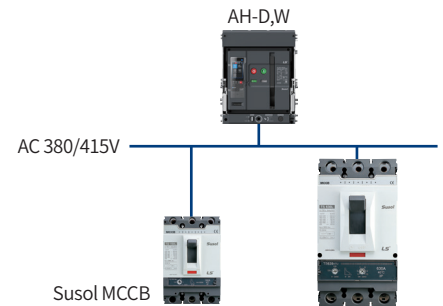
## Protective coordination

Rated voltage: AC 380/415V

Main breaker(Main ACB): Susol ACB

Downstream breaker(Downstream MCCB): Susol MCCB TD/TS series

Below protective coordination table is based on ACB equipped with OCR under arrangement of short time delay trip current as 10 times of rated current.



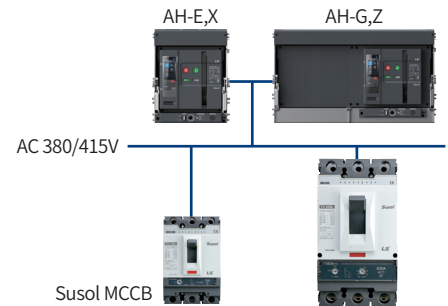
Upstream breaker		Product type	Susol AH series										
			AH-D,W										
			AH-06D			AH-08D			AH-10D	AH-13D	AH-16D	AH-20D	
Downstream breaker	Rated current [A]	Short time delay trip current (Max. 10In) Is [kA]	200	400	630	400	630	800	1000	1250	1600	2000	
	Model		Rated current [A]	Ultimate breaking capacity Icu [kA]	85								
Susol MCCB	TD100N	100	50	T	T	T	T	T	T	T	T	T	T
	TD100H	100	85	T	T	T	T	T	T	T	T	T	T
	TD100L	100	150	T	T	T	T	T	T	T	T	T	T
	TD160N	160	50	T	T	T	T	T	T	T	T	T	T
	TD160H	160	85	T	T	T	T	T	T	T	T	T	T
	TD160L	160	150	T	T	T	T	T	T	T	T	T	T
	TS100N	100	50	T	T	T	T	T	T	T	T	T	T
	TS100H	100	85	T	T	T	T	T	T	T	T	T	T
	TS100L	100	150	T	T	T	T	T	T	T	T	T	T
	TS160N	160	50	T	T	T	T	T	T	T	T	T	T
	TS160H	160	85	T	T	T	T	T	T	T	T	T	T
	TS160L	160	150	T	T	T	T	T	T	T	T	T	T
	TS250N	250	50	-	T	T	T	T	T	T	T	T	T
	TS250H	250	85	-	T	T	T	T	T	T	T	T	T
	TS250L	250	150	-	T	T	T	T	T	T	T	T	T
	TS400N	400	65	-	-	T	-	T	T	T	T	T	T
	TS400H	400	85	-	-	T	-	T	T	T	T	T	T
	TS400L	400	150	-	-	T	-	T	T	T	T	T	T
	TS630N	630	65	-	-	-	-	-	T	T	T	T	T
	TS630H	630	85	-	-	-	-	-	T	T	T	T	T
TS630L	630	150	-	-	-	-	-	T	T	T	T	T	
TS800N	800	65	-	-	-	-	-	-	T	T	T	T	
TS800H	800	100	-	-	-	-	-	-	T	T	T	T	
TS800L	800	150	-	-	-	-	-	-	T	T	T	T	

Note) 1. On table, protective coordination is not available for areas where number is missing.  
 2. On table, marked number is breaking capacity limit (Unit: kA) for protective coordination.  
 3. On table, areas that is marked as T are capable of total discrimination up to its Downstream breaker's rated short breaking capacity.



# Protective coordination

Rated voltage: AC 380/415V  
 Main breaker(Main ACB): Susol ACB  
 Downstream breaker(Downstream MCCB): Susol MCCB TD/TS series  
 Below protective coordination table is based on ACB equipped with OCR  
 under arrangement of short time delay trip current as 10 times of rated current.



Downstream breaker		Upstream breaker	Product type	Susol AH series													
				AH-E,X										AH-G,Z			
				AH-06E		AH-08E	AH-10E	AH-13E	AH-16E	AH-20E	AH-25E	AH-32E	AH-40E	AH-40G	AH-50G	AH-63G	
Model	Rated current [A]	Ultimate breaking capacity Icu [kA]	100										150				
Susol MCCB	TD100N	100	50	T	T	T	T	T	T	T	T	T	T	T	T	T	T
	TD100H	100	85	T	T	T	T	T	T	T	T	T	T	T	T	T	T
	TD100L	100	150	T	T	T	T	T	T	T	T	T	T	T	T	T	T
	TD160N	160	50	T	T	T	T	T	T	T	T	T	T	T	T	T	T
	TD160H	160	85	T	T	T	T	T	T	T	T	T	T	T	T	T	T
	TD160L	160	150	T	T	T	T	T	T	T	T	T	T	T	T	T	T
	TS100N	100	50	T	T	T	T	T	T	T	T	T	T	T	T	T	T
	TS100H	100	85	T	T	T	T	T	T	T	T	T	T	T	T	T	T
	TS100L	100	150	T	T	T	T	T	T	T	T	T	T	T	T	T	T
	TS160N	160	50	T	T	T	T	T	T	T	T	T	T	T	T	T	T
	TS160H	160	85	T	T	T	T	T	T	T	T	T	T	T	T	T	T
	TS160L	160	150	T	T	T	T	T	T	T	T	T	T	T	T	T	T
	TS250N	250	50	T	T	T	T	T	T	T	T	T	T	T	T	T	T
	TS250H	250	85	T	T	T	T	T	T	T	T	T	T	T	T	T	T
	TS250L	250	150	T	T	T	T	T	T	T	T	T	T	T	T	T	T
	TS400N	400	65	-	T	T	T	T	T	T	T	T	T	T	T	T	T
	TS400H	400	85	-	T	T	T	T	T	T	T	T	T	T	T	T	T
	TS400L	400	150	-	T	T	T	T	T	T	T	T	T	T	T	T	T
	TS630N	630	65	-	-	T	T	T	T	T	T	T	T	T	T	T	T
	TS630H	630	85	-	-	T	T	T	T	T	T	T	T	T	T	T	T
TS630L	630	150	-	-	T	T	T	T	T	T	T	T	T	T	T	T	
TS800N	800	65	-	-	-	T	T	T	T	T	T	T	T	T	T	T	
TS800H	800	100	-	-	-	T	T	T	T	T	T	T	T	T	T	T	
TS800L	800	150	-	-	-	T	T	T	T	T	T	T	T	T	T	T	

Note) 1. On table, protective coordination is not available for areas where number is missing.  
 2. On table, marked number is breaking capacity limit (Unit: kA) for protective coordination.  
 3. On table, areas that is marked as T are capable of total discrimination up to its Downstream breaker's rated short breaking capacity.

# Technical information

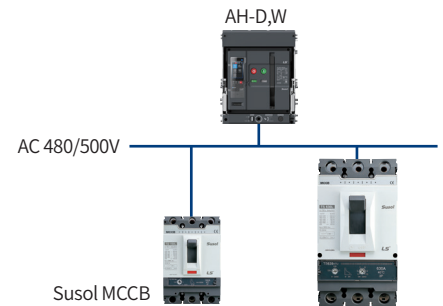
## Protective coordination

Rated voltage: AC 480/500V

Main breaker(Main ACB): Susol ACB

Downstream breaker(Downstream MCCB): Susol MCCB TD/TS series

Below protective coordination table is based on ACB equipped with OCR under arrangement of short time delay trip current as 10 times of rated current.



Upstream breaker		Product type	Susol AH series										
			AH-D,W										
			AH-06D			AH-08D			AH-10D	AH-13D	AH-16D	AH-20D	
Downstream breaker	Rated current [A]	Short time delay trip current (Max. 10In) Is [kA]	200	400	630	400	630	800	1000	1250	1600	2000	
	Model		Rated current [A]	Ultimate breaking capacity Icu [kA]									
			85										
Susol MCCB	TD100N	100	30	T	T	T	T	T	T	T	T	T	T
	TD100H	100	50	T	T	T	T	T	T	T	T	T	T
	TD100L	100	65	T	T	T	T	T	T	T	T	T	T
	TD160N	160	30	T	T	T	T	T	T	T	T	T	T
	TD160H	160	50	T	T	T	T	T	T	T	T	T	T
	TD160L	160	65	T	T	T	T	T	T	T	T	T	T
	TS100N	100	42	T	T	T	T	T	T	T	T	T	T
	TS100H	100	65	T	T	T	T	T	T	T	T	T	T
	TS100L	100	85	T	T	T	T	T	T	T	T	T	T
	TS160N	160	42	T	T	T	T	T	T	T	T	T	T
	TS160H	160	65	T	T	T	T	T	T	T	T	T	T
	TS160L	160	85	T	T	T	T	T	T	T	T	T	T
	TS250N	250	42	-	T	T	T	T	T	T	T	T	T
	TS250H	250	65	-	T	T	T	T	T	T	T	T	T
	TS250L	250	85	-	T	T	T	T	T	T	T	T	T
	TS400N	400	42	-	-	T	-	T	T	T	T	T	T
	TS400H	400	65	-	-	T	-	T	T	T	T	T	T
	TS400L	400	85	-	-	T	-	T	T	T	T	T	T
	TS630N	630	42	-	-	-	-	-	T	T	T	T	T
	TS630H	630	65	-	-	-	-	-	T	T	T	T	T
TS630L	630	85	-	-	-	-	-	T	T	T	T	T	
TS800N	800	42	-	-	-	-	-	-	T	T	T	T	
TS800H	800	85	-	-	-	-	-	-	T	T	T	T	
TS800L	800	100	-	-	-	-	-	-	T	T	T	T	

Note) 1. On table, protective coordination is not available for areas where number is missing.  
 2. On table, marked number is breaking capacity limit (Unit: kA) for protective coordination.  
 3. On table, areas that is marked as T are capable of total discrimination up to its Downstream breaker's rated short breaking capacity.

# Protective coordination

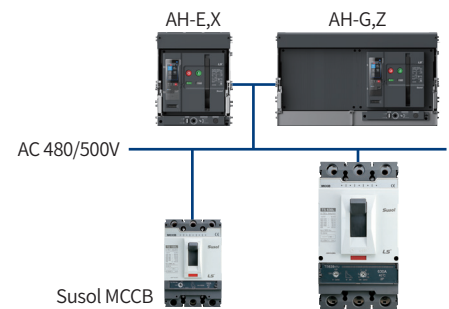
Rated voltage: AC 480/500V

Main breaker(Main ACB): Susol ACB

Downstream breaker(Downstream MCCB): Susol MCCB TD/TS series

Below protective coordination table is based on ACB equipped with OCR

under arrangement of short time delay trip current as 10 times of rated current.



Downstream breaker		Upstream breaker	Product type	Susol AH series															
				AH-E,X									AH-G,Z						
				AH-06E		AH-08E	AH-10E	AH-13E	AH-16E	AH-20E	AH-25E	AH-32E	AH-40E	AH-40G	AH-50G	AH-63G			
Model	Rated current [A]	Ultimate breaking capacity Icu [kA]	Rated current [A]	400	630	800	1000	1250	1600	2000	2500	3200	4000	4000	5000	6300			
		Short time delay trip current (Max. 10In) Is [kA]																	
			4	6.3	8	10	12.5	16	20	25	32	40	40	50	63				
			100									150							
Susol MCCB	TD100N	100	30	T	T	T	T	T	T	T	T	T	T	T	T	T	T		
	TD100H	100	50	T	T	T	T	T	T	T	T	T	T	T	T	T	T	T	
	TD100L	100	65	T	T	T	T	T	T	T	T	T	T	T	T	T	T	T	
	TD160N	160	30	T	T	T	T	T	T	T	T	T	T	T	T	T	T	T	
	TD160H	160	50	T	T	T	T	T	T	T	T	T	T	T	T	T	T	T	
	TD160L	160	65	T	T	T	T	T	T	T	T	T	T	T	T	T	T	T	T
	TS100N	100	42	T	T	T	T	T	T	T	T	T	T	T	T	T	T	T	T
	TS100H	100	65	T	T	T	T	T	T	T	T	T	T	T	T	T	T	T	T
	TS100L	100	85	T	T	T	T	T	T	T	T	T	T	T	T	T	T	T	T
	TS160N	160	42	T	T	T	T	T	T	T	T	T	T	T	T	T	T	T	T
	TS160H	160	65	T	T	T	T	T	T	T	T	T	T	T	T	T	T	T	T
	TS160L	160	85	T	T	T	T	T	T	T	T	T	T	T	T	T	T	T	T
	TS250N	250	42	T	T	T	T	T	T	T	T	T	T	T	T	T	T	T	T
	TS250H	250	65	T	T	T	T	T	T	T	T	T	T	T	T	T	T	T	T
	TS250L	250	85	T	T	T	T	T	T	T	T	T	T	T	T	T	T	T	T
	TS400N	400	42	-	T	T	T	T	T	T	T	T	T	T	T	T	T	T	T
	TS400H	400	65	-	T	T	T	T	T	T	T	T	T	T	T	T	T	T	T
	TS400L	400	85	-	T	T	T	T	T	T	T	T	T	T	T	T	T	T	T
	TS630N	630	42	-	-	T	T	T	T	T	T	T	T	T	T	T	T	T	T
	TS630H	630	65	-	-	T	T	T	T	T	T	T	T	T	T	T	T	T	T
TS630L	630	85	-	-	T	T	T	T	T	T	T	T	T	T	T	T	T	T	
TS800N	800	42	-	-	-	T	T	T	T	T	T	T	T	T	T	T	T	T	
TS800H	800	85	-	-	-	T	T	T	T	T	T	T	T	T	T	T	T	T	
TS800L	800	100	-	-	-	T	T	T	T	T	T	T	T	T	T	T	T	T	

Note) 1. On table, protective coordination is not available for areas where number is missing.  
 2. On table, marked number is breaking capacity limit (Unit: kA) for protective coordination.  
 3. On table, areas that is marked as T are capable of total discrimination up to its Downstream breaker's rated short breaking capacity.

# Technical information

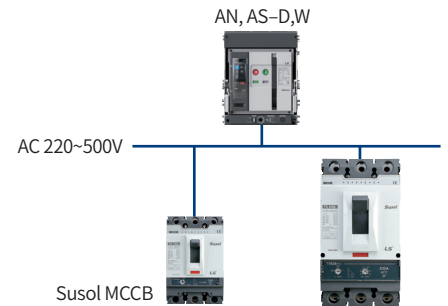
## Protective coordination

Rated voltage: AC 220-500V

Main breaker(Main ACB): Metasol ACB

Downstream breaker(Downstream MCCB): Susol MCCB TD/TS series

Below protective coordination table is based on ACB equipped with OCR under arrangement of short time delay trip current as 10 times of rated current.



Upstream breaker		Product type	Metasol AN, AS series												
			AN, AS-D,W										AS-F,Y		
			AN, AS-06D			AN, AS-06D			AN, AS-10D	AN, AS-13D	AN, AS-13D	AN, AS-16D	AS-40F	AS-50F	
			Rated current [A]	200	400	630	400	630	800	1000	1250	1600	2000	4000	5000
Downstream breaker		Short time delay trip current (Max. 10In) Is [kA]	2	4	6.3	4	6.3	8	10	12.5	16	20	40	50	
			Model	Rated current [A]	Ultimate breaking capacity Icu [kA]	AN : 65kA / AS : 70kA									
Susol MCCB	TD100N	100	85	T	T	T	T	T	T	T	T	T	T	T	T
	TD100H	100	100	T	T	T	T	T	T	T	T	T	T	T	T
	TD100L	100	200	T	T	T	T	T	T	T	T	T	T	T	T
	TD160N	160	85	T	T	T	T	T	T	T	T	T	T	T	T
	TD160H	160	100	T	T	T	T	T	T	T	T	T	T	T	T
	TD160L	160	200	T	T	T	T	T	T	T	T	T	T	T	T
	TS100N	100	100	T	T	T	T	T	T	T	T	T	T	T	T
	TS100H	100	120	T	T	T	T	T	T	T	T	T	T	T	T
	TS100L	100	200	T	T	T	T	T	T	T	T	T	T	T	T
	TS160N	160	100	T	T	T	T	T	T	T	T	T	T	T	T
	TS160H	160	120	T	T	T	T	T	T	T	T	T	T	T	T
	TS160L	160	200	T	T	T	T	T	T	T	T	T	T	T	T
	TS250N	250	100	-	T	T	T	T	T	T	T	T	T	T	T
	TS250H	250	120	-	T	T	T	T	T	T	T	T	T	T	T
	TS250L	250	200	-	T	T	T	T	T	T	T	T	T	T	T
	TS400N	400	100	-	-	T	-	T	T	T	T	T	T	T	T
	TS400H	400	120	-	-	T	-	T	T	T	T	T	T	T	T
	TS400L	400	200	-	-	T	-	T	T	T	T	T	T	T	T
	TS630N	630	100	-	-	-	-	-	T	T	T	T	T	T	T
	TS630H	630	120	-	-	-	-	-	T	T	T	T	T	T	T
TS630L	630	200	-	-	-	-	-	T	T	T	T	T	T	T	
TS800N	800	100	-	-	-	-	-	-	T	T	T	T	T	T	
TS800H	800	120	-	-	-	-	-	-	T	T	T	T	T	T	
TS800L	800	200	-	-	-	-	-	-	T	T	T	T	T	T	

Note) 1. On table, protective coordination is not available for areas where number is missing.

2. On table, areas that is marked as T are capable of total discrimination up to its Downstream breaker's rated short breaking capacity.

## Protective coordination

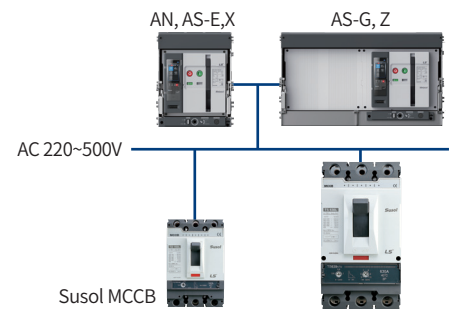
Rated voltage: AC 220~500V

Main breaker(Main ACB): Metasol ACB

Downstream breaker(Downstream MCCB): Susol MCCB TD/TS series

Below protective coordination table is based on ACB equipped with OCR

under arrangement of short time delay trip current as 10 times of rated current.



Upstream breaker		Product type	Metasol AN, AS series														
			AN, AS-E,X											AS-G,Z			
			AS-06E		AS-08E	AS-10E	AS-13E	AS-16E	AN, AS-20E	AN, AS-25E	AN, AS-32E	AS-40E	AS-40G	AS-50G	AS-63G		
Downstream breaker	Rated current [A]	Short time delay trip current (Max. 10In) Is [kA]	4	6.3	8	10	12.5	16	20	25	32	40	40	50	63		
	Model		Rated current [A]	Ultimate breaking capacity Icu [kA]		AN: 70kA / AS: 85kA											AS: 120kA
Susol MCCB	TD100N	100	85	T	T	T	T	T	T	T	T	T	T	T	T	T	T
	TD100H	100	100	T	T	T	T	T	T	T	T	T	T	T	T	T	T
	TD100L	100	200	T	T	T	T	T	T	T	T	T	T	T	T	T	T
	TD160N	160	85	T	T	T	T	T	T	T	T	T	T	T	T	T	T
	TD160H	160	100	T	T	T	T	T	T	T	T	T	T	T	T	T	T
	TD160L	160	200	T	T	T	T	T	T	T	T	T	T	T	T	T	T
	TS100N	100	100	T	T	T	T	T	T	T	T	T	T	T	T	T	T
	TS100H	100	120	T	T	T	T	T	T	T	T	T	T	T	T	T	T
	TS100L	100	200	T	T	T	T	T	T	T	T	T	T	T	T	T	T
	TS160N	160	100	T	T	T	T	T	T	T	T	T	T	T	T	T	T
	TS160H	160	120	T	T	T	T	T	T	T	T	T	T	T	T	T	T
	TS160L	160	200	T	T	T	T	T	T	T	T	T	T	T	T	T	T
	TS250N	250	100	T	T	T	T	T	T	T	T	T	T	T	T	T	T
	TS250H	250	120	T	T	T	T	T	T	T	T	T	T	T	T	T	T
	TS250L	250	200	T	T	T	T	T	T	T	T	T	T	T	T	T	T
	TS400N	400	100	-	T	T	T	T	T	T	T	T	T	T	T	T	T
	TS400H	400	120	-	T	T	T	T	T	T	T	T	T	T	T	T	T
	TS400L	400	200	-	T	T	T	T	T	T	T	T	T	T	T	T	T
	TS630N	630	100	-	-	T	T	T	T	T	T	T	T	T	T	T	T
	TS630H	630	120	-	-	T	T	T	T	T	T	T	T	T	T	T	T
TS630L	630	200	-	-	T	T	T	T	T	T	T	T	T	T	T	T	
TS800N	800	100	-	-	-	T	T	T	T	T	T	T	T	T	T	T	
TS800H	800	120	-	-	-	T	T	T	T	T	T	T	T	T	T	T	
TS800L	800	200	-	-	-	T	T	T	T	T	T	T	T	T	T	T	

Note) 1. On table, protective coordination is not available for areas where number is missing.

2. On table, areas that is marked as T are capable of total discrimination up to its Downstream breaker's rated short breaking capacity.

# Standards & Approval



## AH, AS, AN series Air Circuit Breakers comply with the following international standard;

### IEC 60947-1

Low-voltage switchgear and controlgear  
- Part 1: General rules



### IEC 60947-2

Low-voltage switchgear and controlgear  
- Part 2: Circuit-breakers



The following certificates are available on a request.



- CE Declaration of conformity



- Certificate of conformance test (CB) - IEC 60947



- Full type test report issued by KEMA



- Letter of origin



- Taiwan TPC

## CE conformity marking

The CE conformity marking shall indicate conformity to all the obligations imposed on the manufacturer, as regards his products, by virtue of the European Community directives providing for the affixing of the CE marking. When the CE marking is affixed on a product, it represents a declaration of the manufacturer or of his authorized representative that the product in question conforms to all the applicable provisions including the conformity assessment procedures. This prevents the Member States from limiting the marketing and putting into service of products bearing the CE marking, unless this measure is justified by the proved non-conformity of the product.



## IECEE CB SCHEME

The IECEE CB Scheme is the world's first truly international system for acceptance of test reports dealing with the safety of electrical and electronic products. It is a multilateral agreement among participating countries and certification organizations. A manufacturer utilizing a CB test report issued by one of these organizations can obtain national certification in all other member countries of the CB Scheme.



The Scheme is based on the use of international (IEC) Standards. If some members' national standards are not yet completely harmonized with IEC Standards, national differences are permitted if clearly declared to all other members. The CB Scheme utilizes CB Test Certificates to attest that product samples have successfully passed the appropriate tests and are in compliance with the requirements of the relevant IEC Standard and with the declared national differences of various member countries.



The main objective of the Scheme, is to facilitate trade by promoting harmonization of the national standards with international Standards and cooperation among product certifiers worldwide in order to bring product manufacturers a step closer to the ideal concept of "one product, one test, one mark, where applicable".



- LR, ABS, DNV, KR, BV, GL, RINA, NK
- GOST, TPC



## Long time

$\frac{tr}{\times Ir}$	0.5	1	2	4	8	12	16	20
1.11	58806	117611	235223	470445	940890	1411335	1881780	2352225
1.15	36041	72082	144163	288326	576652	864978	1153305	1441631
1.20	26827	53654	107308	214615	429231	643846	858461	1073077
1.25	21777	43553	87106	174212	348424	522636	696848	871060
1.30	18408	36817	73634	147268	294535	441803	589071	736338
1.35	15947	31895	63789	127579	255157	382736	510314	637893
1.40	14049	28098	56197	112393	224787	337180	449573	561967
1.45	12532	25063	50126	100252	200504	300756	401009	501261
1.50	11286	22573	45145	90290	180580	270870	361160	451450
1.55	10244	20488	40977	81954	163907	245861	327814	409768
1.60	9359	18717	37434	74869	149737	224606	299474	374343
1.65	8596	17193	34386	68771	137542	206313	275084	343855
1.70	7934	15867	31734	63468	126936	190404	253873	317341
1.75	7352	14704	29408	58815	117631	176446	235261	294077
1.80	6838	13675	27351	54702	109404	164106	218808	273509
1.85	6380	12760	25521	51041	102082	153123	204164	255205
1.90	5970	11941	23882	47764	95528	143292	191056	238820
1.95	5602	11204	22408	44815	89630	134446	179261	224076
2.00	5269	10537	21075	42150	84299	126449	168598	210748
2.05	4966	9932	19865	39730	79459	119189	158919	198649
2.10	4691	9381	18762	37525	75049	112574	150099	187623
2.15	4439	8877	17754	35508	71017	106525	142034	177542
2.20	4207	8415	16829	33659	67318	100976	134635	168294
2.25	3995	7989	15979	31957	63914	95871	127829	159786
2.30	3798	7597	15194	30387	60775	91162	121550	151937
2.35	3617	7234	14468	28936	57871	86807	115742	144678
2.40	3449	6897	13795	27590	55180	82769	110359	137949
2.45	3292	6585	13170	26339	52679	79018	105358	131697
2.50	3147	6294	12588	25176	50351	75527	100702	125878
2.55	3011	6022	12045	24090	48180	72269	96359	120449
2.60	2884	5769	11538	23075	46151	69226	92301	115377
2.65	2766	5531	11063	22126	44251	66377	88503	110628
2.70	2654	5309	10618	21235	42471	63706	84941	106177
2.75	2550	5100	10200	20399	40799	61198	81597	101997
2.80	2452	4903	9807	19613	39226	58840	78453	98066
2.85	2359	4718	9436	18873	37746	56619	75491	94364
2.90	2272	4544	9087	18175	36350	54524	72699	90874
2.95	2189	4379	8758	17516	35032	52547	70063	87579
3.00	2112	4223	8446	16893	33786	50679	67572	84464
3.05	2038	4076	8152	16303	32607	48910	65214	81517
3.10	1968	3936	7872	15745	31490	47235	62980	78725
3.15	1902	3804	7608	15215	30431	45646	60862	76077
3.20	1839	3678	7356	14713	29425	44138	58851	73563
3.25	1779	3559	7117	14235	28470	42705	56940	71175
3.30	1723	3445	6890	13781	27561	41342	55122	68903
3.35	1669	3337	6674	13348	26696	40044	53392	66741
3.40	1617	3234	6468	12936	25872	38808	51744	64680
3.45	1568	3136	6272	12543	25086	37629	50172	62715
3.50	1521	3042	6084	12168	24336	36504	48672	60841
3.55	1476	2952	5905	11810	23620	35430	47240	59050
3.60	1433	2867	5734	11468	22935	34403	45871	57338
3.65	1393	2785	5570	11140	22281	33421	44561	55702
3.70	1353	2707	5413	10827	21654	32481	43308	54135
3.75	1316	2632	5263	10527	21054	31581	42108	52634
3.80	1280	2560	5120	10239	20479	30718	40957	51196
3.85	1245	2491	4982	9963	19927	29890	39854	49817
3.90	1212	2425	4849	9699	19398	29096	38795	48494

$\frac{tr}{\times Ir}$	0.5	1	2	4	8	12	16	20
3.95	1181	2361	4722	9445	18889	28334	37779	47223
4.00	1150	2300	4600	9201	18401	27602	36802	46003
4.05	1121	2241	4483	8966	17932	26898	35864	44830
4.10	1093	2185	4370	8740	17481	26221	34961	43701
4.15	1065	2131	4262	8523	17046	25569	34092	42615
4.20	1039	2079	4157	8314	16628	24942	33256	41570
4.25	1014	2028	4056	8113	16225	24338	32451	40563
4.30	990	1980	3959	7919	15837	23756	31674	39593
4.35	966	1933	3866	7731	15463	23194	30926	38657
4.40	944	1888	3776	7551	15102	22653	30204	37755
4.45	922	1844	3688	7377	14754	22131	29507	36884
4.50	901	1802	3604	7209	14417	21626	28835	36043
4.55	881	1762	3523	7046	14093	21139	28185	35231
4.60	861	1722	3445	6889	13779	20668	27557	34447
4.65	842	1684	3369	6738	13475	20213	26951	33688
4.70	824	1648	3295	6591	13182	19773	26364	32955
4.75	806	1612	3225	6449	12898	19347	25796	32245
4.80	789	1578	3156	6312	12624	18935	25247	31559
4.85	772	1545	3089	6179	12358	18536	24715	30894
4.90	756	1513	3025	6050	12100	18150	24200	30250
4.95	741	1481	2963	5925	11851	17776	23701	29627
5.00	726	1451	2902	5804	11609	17413	23218	29022
5.05	711	1422	2844	5687	11374	17062	22749	28436
5.10	697	1393	2787	5574	11147	16721	22294	27868
5.15	683	1366	2732	5463	10927	16390	21853	27317
5.20	670	1339	2678	5356	10713	16069	21425	26782
5.25	657	1313	2626	5252	10505	15757	21010	26262
5.30	644	1288	2576	5152	10303	15455	20607	25758
5.35	632	1263	2527	5054	10107	15161	20215	25268
5.40	620	1240	2479	4959	9917	14876	19834	24793
5.45	608	1217	2433	4866	9732	14598	19464	24330
5.50	597	1194	2388	4776	9552	14329	19105	23881
5.55	586	1172	2344	4689	9378	14066	18755	23444
5.60	575	1151	2302	4604	9207	13811	18415	23019
5.65	565	1130	2261	4521	9042	13563	18084	22605
5.70	555	1110	2220	4441	8881	13322	17762	22203
5.75	545	1091	2181	4362	8724	13087	17449	21811
5.80	536	1071	2143	4286	8572	12858	17144	21430
5.85	526	1053	2106	4212	8423	12635	16847	21058
5.90	517	1035	2070	4139	8279	12418	16557	20697
5.95	509	1017	2034	4069	8138	12206	16275	20344
6.00	500	1000	2000	4000	8000	12000	16000	20001
6.05	492	983	1967	3933	7866	11799	15733	19666
6.10	483	967	1934	3868	7736	11604	15471	19339
6.15	476	951	1902	3804	7608	11413	15217	19021
6.20	468	936	1871	3742	7484	11226	14968	18710
6.25	460	920	1841	3682	7363	11045	14726	18408
6.30	453	906	1811	3622	7245	10867	14490	18112
6.35	446	891	1782	3565	7129	10694	14259	17823
6.40	439	877	1754	3508	7017	10525	14034	17542
6.45	432	863	1727	3453	6907	10360	13814	17267
6.50	425	850	1700	3400	6799	10199	13599	16998
6.55	418	837	1674	3347	6694	10042	13389	16736
6.60	412	824	1648	3296	6592	9888	13184	16480
6.65	406	811	1623	3246	6492	9738	12984	16230
6.70	400	799	1598	3197	6394	9591	12788	15985
6.75	394	787	1575	3149	6298	9447	12597	15746



# Time chart

## Long time

$\frac{tr}{\times lr}$	0.5	1	2	4	8	12	16	20
6.80	388	776	1551	3102	6205	9307	12410	15512
6.85	382	764	1528	3057	6113	9170	12227	15283
6.90	376	753	1506	3012	6024	9036	12048	15060
6.95	371	742	1484	2968	5936	8905	11873	14841
7.00	366	731	1463	2925	5851	8776	11702	14627
7.05	360	721	1442	2884	5767	8651	11534	14418
7.10	355	711	1421	2843	5685	8528	11371	14213
7.15	350	701	1401	2803	5605	8408	11210	14013
7.20	345	691	1382	2763	5527	8290	11053	13816
7.25	341	681	1362	2725	5450	8175	10899	13624
7.30	336	672	1344	2687	5374	8062	10749	13436
7.35	331	663	1325	2650	5301	7951	10601	13252
7.40	327	654	1307	2614	5229	7843	10457	13071
7.45	322	645	1289	2579	5158	7737	10316	12895
7.50	318	636	1272	2544	5089	7633	10177	12721
7.55	314	628	1255	2510	5021	7531	10041	12552
7.60	310	619	1239	2477	4954	7431	9908	12385
7.65	306	611	1222	2444	4889	7333	9778	12222
7.70	302	603	1206	2412	4825	7237	9650	12062
7.75	298	595	1191	2381	4762	7143	9524	11906
7.80	294	588	1175	2350	4701	7051	9401	11752
7.85	290	580	1160	2320	4640	6961	9281	11601
7.90	286	573	1145	2291	4581	6872	9163	11453
7.95	283	565	1131	2262	4523	6785	9047	11308
8.00	279	558	1117	2233	4466	6700	8933	11166
8.05	276	551	1103	2205	4411	6616	8821	11026
8.10	272	544	1089	2178	4356	6534	8712	10889
8.15	269	538	1076	2151	4302	6453	8604	10755
8.20	266	531	1062	2125	4249	6374	8498	10623
8.25	262	525	1049	2099	4197	6296	8395	10494
8.30	259	518	1037	2073	4147	6220	8293	10366
8.35	256	512	1024	2048	4097	6145	8193	10242
8.40	253	506	1012	2024	4048	6071	8095	10119
8.45	250	500	1000	2000	3999	5999	7999	9998
8.50	247	494	988	1976	3952	5928	7904	9880
8.55	244	488	976	1953	3906	5858	7811	9764
8.60	241	482	965	1930	3860	5790	7720	9650
8.65	238	477	954	1908	3815	5723	7630	9538
8.70	236	471	943	1886	3771	5657	7542	9428
8.75	233	466	932	1864	3728	5592	7455	9319
8.80	230	461	921	1843	3685	5528	7370	9213
8.85	228	455	911	1822	3643	5465	7287	9108
8.90	225	450	901	1801	3602	5403	7204	9005
8.95	223	445	890	1781	3562	5343	7123	8904
9.00	220	440	880	1761	3522	5283	7044	8805
9.05	218	435	871	1741	3483	5224	6966	8707
9.10	215	431	861	1722	3444	5167	6889	8611
9.15	213	426	852	1703	3407	5110	6813	8516
9.20	211	421	842	1685	3369	5054	6739	8423
9.25	208	417	833	1666	3333	4999	6666	8332
9.30	206	412	824	1648	3297	4945	6594	8242
9.35	204	408	815	1631	3261	4892	6523	8153
9.40	202	403	807	1613	3227	4840	6453	8066
9.45	200	399	798	1596	3192	4788	6384	7981
9.50	197	395	790	1579	3159	4738	6317	7896
9.55	195	391	781	1563	3125	4688	6251	7813
9.60	193	387	773	1546	3093	4639	6185	7732

$\frac{tr}{\times lr}$	0.5	1	2	4	8	12	16	20
9.65	191	383	765	1530	3060	4591	6121	7651
9.70	189	379	757	1514	3029	4543	6058	7572
9.75	187	375	749	1499	2998	4496	5995	7494
9.80	185	371	742	1483	2967	4450	5934	7417
9.85	184	367	734	1468	2937	4405	5873	7342
9.90	182	363	727	1453	2907	4360	5814	7267
9.95	180	360	719	1439	2878	4316	5755	7194
10.00	178	356	712	1424	2849	4273	5697	7122

## Short time

$\frac{tsd}{\times lr}$	0.1	0.2	0.3	0.4
1.40	5102	10204	15306	20408
1.45	4756	9512	14269	19025
1.50	4444	8889	13333	17778
1.55	4162	8325	12487	16649
1.60	3906	7813	11719	15625
1.65	3673	7346	11019	14692
1.70	3460	6920	10381	13841
1.75	3265	6531	9796	13061
1.80	3086	6173	9259	12346
1.85	2922	5844	8766	11687
1.90	2770	5540	8310	11080
1.95	2630	5260	7890	10519
2.00	2500	5000	7500	10000
2.05	2380	4759	7139	9518
2.10	2268	4535	6803	9070
2.15	2163	4327	6490	8653
2.20	2066	4132	6198	8264
2.25	1975	3951	5926	7901
2.30	1890	3781	5671	7561
2.35	1811	3622	5432	7243
2.40	1736	3472	5208	6944
2.45	1666	3332	4998	6664
2.50	1600	3200	4800	6400
2.55	1538	3076	4614	6151
2.60	1479	2959	4438	5917
2.65	1424	2848	4272	5696
2.70	1372	2743	4115	5487
2.75	1322	2645	3967	5289
2.80	1276	2551	3827	5102
2.85	1231	2462	3693	4925
2.90	1189	2378	3567	4756
2.95	1149	2298	3447	4596
3.00	1111	2222	3333	4444
3.05	1075	2150	3225	4300
3.10	1041	2081	3122	4162
3.15	1008	2016	3023	4031
3.20	977	1953	2930	3906
3.25	947	1893	2840	3787
3.30	918	1837	2755	3673
3.35	891	1782	2673	3564

$\frac{tsd}{\times lr}$	0.1	0.2	0.3	0.4
3.40	865	1730	2595	3460
3.45	840	1680	2520	3361
3.50	816	1633	2449	3265
3.55	793	1587	2380	3174
3.60	772	1543	2315	3086
3.65	751	1501	2252	3002
3.70	730	1461	2191	2922
3.75	711	1422	2133	2844
3.80	693	1385	2078	2770
3.85	675	1349	2024	2699
3.90	657	1315	1972	2630
3.95	641	1282	1923	2564
4.00	625	1250	1875	2500
4.05	610	1219	1829	2439
4.10	595	1190	1785	2380
4.15	581	1161	1742	2323
4.20	567	1134	1701	2268
4.25	554	1107	1661	2215
4.30	541	1082	1622	2163
4.35	528	1057	1585	2114
4.40	517	1033	1550	2066
4.45	505	1010	1515	2020
4.50	494	988	1481	1975
4.55	483	966	1449	1932
4.60	473	945	1418	1890
4.65	462	925	1387	1850
4.70	453	905	1358	1811
4.75	443	886	1330	1773
4.80	434	868	1302	1736
4.85	425	850	1275	1700
4.90	416	833	1249	1666
4.95	408	816	1224	1632
5.00	400	800	1200	1600
5.05	392	784	1176	1568
5.10	384	769	1153	1538
5.15	377	754	1131	1508
5.20	370	740	1109	1479
5.25	363	726	1088	1451
5.30	356	712	1068	1424
5.35	349	699	1048	1398

### Short time

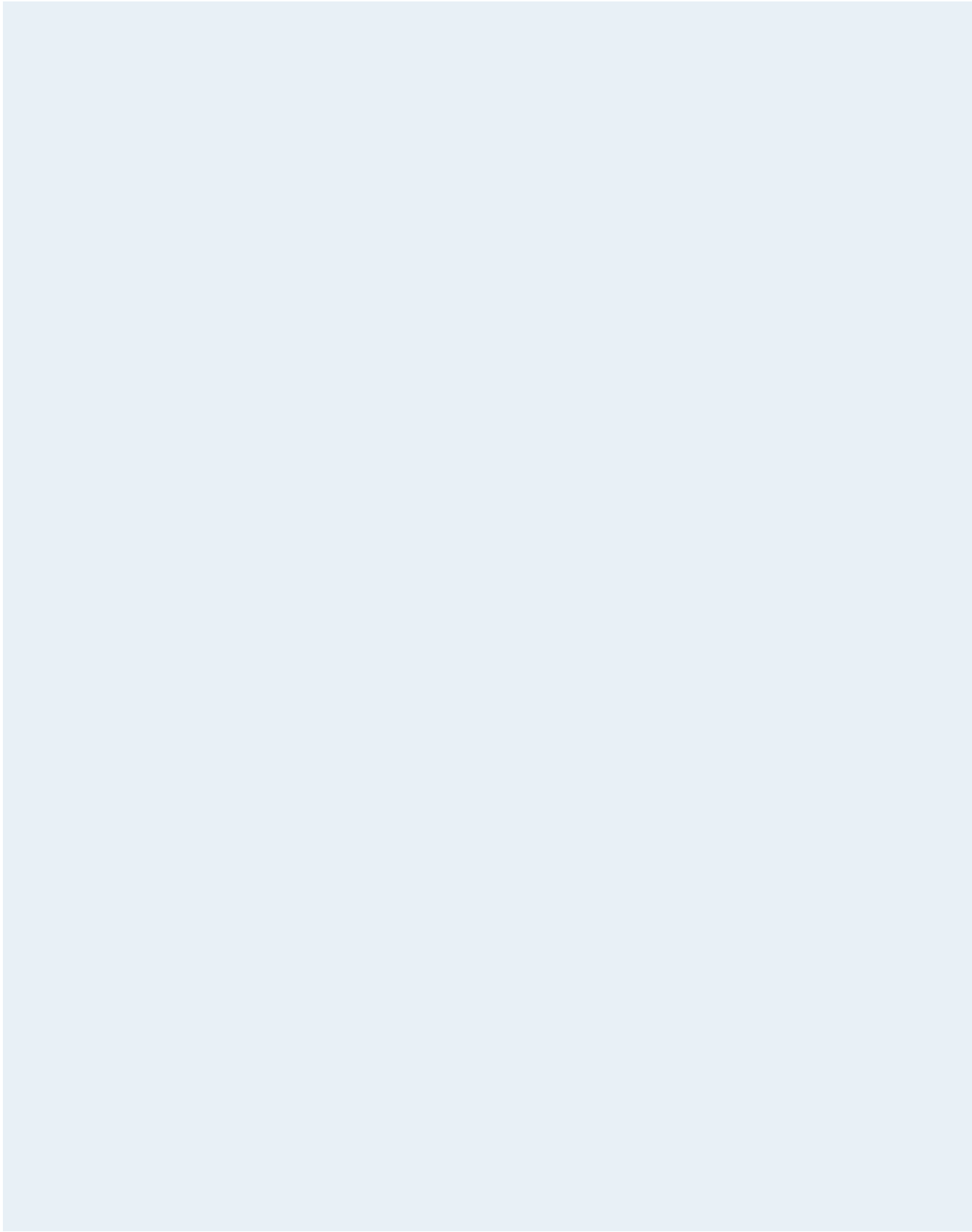
$\frac{tsd}{\times I_r}$	0.1	0.2	0.3	0.4
5.40	343	686	1029	1372
5.45	337	673	1010	1347
5.50	331	661	992	1322
5.55	325	649	974	1299
5.60	319	638	957	1276
5.65	313	627	940	1253
5.70	308	616	923	1231
5.75	302	605	907	1210
5.80	297	595	892	1189
5.85	292	584	877	1169
5.90	287	575	862	1149
5.95	282	565	847	1130
6.00	278	556	833	1111
6.05	273	546	820	1093
6.10	269	537	806	1075
6.15	264	529	793	1058
6.20	260	520	780	1041
6.25	256	512	768	1024
6.30	252	504	756	1008
6.35	248	496	744	992
6.40	244	488	732	977
6.45	240	481	721	961
6.50	237	473	710	947
6.55	233	466	699	932
6.60	230	459	689	918
6.65	226	452	678	905
6.70	223	446	668	891
6.75	219	439	658	878
6.80	216	433	649	865
6.85	213	426	639	852
6.90	210	420	630	840
6.95	207	414	621	828
7.00	204	408	612	816
7.05	201	402	604	805
7.10	198	397	595	793
7.15	196	391	587	782
7.20	193	386	579	772
7.25	190	380	571	761
7.30	188	375	563	751
7.35	185	370	555	740
7.40	183	365	548	730
7.45	180	360	541	721
7.50	178	356	533	711
7.55	175	351	526	702
7.60	173	346	519	693
7.65	171	342	513	683
7.70	169	337	506	675
7.75	166	333	499	666
7.80	164	329	493	657
7.85	162	325	487	649
7.90	160	320	481	641
7.95	158	316	475	633
8.00	156	312	469	625
8.05	154	309	463	617
8.10	152	305	457	610
8.15	151	301	452	602
8.20	149	297	446	595

$\frac{tsd}{\times I_r}$	0.1	0.2	0.3	0.4
8.25	147	294	441	588
8.30	145	290	435	581
8.35	143	287	430	574
8.40	142	283	425	567
8.45	140	280	420	560
8.50	138	277	415	554
8.55	137	274	410	547
8.60	135	270	406	541
8.65	134	267	401	535
8.70	132	264	396	528
8.75	131	261	392	522
8.80	129	258	387	517
8.85	128	255	383	511
8.90	126	252	379	505
8.95	125	250	375	499
9.00	123	247	370	494
9.05	122	244	366	488
9.10	121	242	362	483
9.15	119	239	358	478
9.20	118	236	354	473
9.25	117	234	351	467
9.30	116	231	347	462
9.35	114	229	343	458
9.40	113	226	340	453
9.45	112	224	336	448
9.50	111	222	332	443
9.55	110	219	329	439
9.60	109	217	326	434
9.65	107	215	322	430
9.70	106	213	319	425
9.75	105	210	316	421
9.80	104	208	312	416
9.85	103	206	309	412
9.90	102	204	306	408
9.95	101	202	303	404
10.00	100	200	300	400

### Ground fault

$\frac{tg}{\times I_n}$	0.1	0.2	0.3	0.4
0.20	2500	5000	7500	10000
0.21	2268	4535	6803	9070
0.22	2066	4132	6198	8264
0.23	1890	3781	5671	7561
0.24	1736	3472	5208	6944
0.25	1600	3200	4800	6400
0.26	1479	2959	4438	5917
0.27	1372	2743	4115	5487
0.28	1276	2551	3827	5102
0.29	1189	2378	3567	4756
0.30	1111	2222	3333	4444
0.31	1041	2081	3122	4162
0.32	977	1953	2930	3906
0.33	918	1837	2755	3673
0.34	865	1730	2595	3460
0.35	816	1633	2449	3265
0.36	772	1543	2315	3086
0.37	730	1461	2191	2922
0.38	693	1385	2078	2770
0.39	657	1315	1972	2630
0.40	625	1250	1875	2500
0.41	595	1190	1785	2380
0.42	567	1134	1701	2268
0.43	541	1082	1622	2163
0.44	517	1033	1550	2066
0.45	494	988	1481	1975
0.46	473	945	1418	1890
0.47	453	905	1358	1811
0.48	434	868	1302	1736
0.49	416	833	1249	1666
0.50	400	800	1200	1600
0.51	384	769	1153	1538
0.52	370	740	1109	1479
0.53	356	712	1068	1424
0.54	343	686	1029	1372
0.55	331	661	992	1322
0.56	319	638	957	1276
0.57	308	616	923	1231
0.58	297	595	892	1189
0.59	287	575	862	1149
0.60	278	556	833	1111
0.61	269	537	806	1075
0.62	260	520	780	1041
0.63	252	504	756	1008
0.64	244	488	732	977
0.65	237	473	710	947
0.66	230	459	689	918
0.67	223	446	668	891
0.68	216	433	649	865
0.69	210	420	630	840
0.70	204	408	612	816
0.71	198	397	595	793
0.72	193	386	579	772
0.73	188	375	563	751
0.74	183	365	548	730
0.75	178	356	533	711
0.76	173	346	519	693

$\frac{tg}{\times I_n}$	0.1	0.2	0.3	0.4
0.77	169	337	506	675
0.78	164	329	493	657
0.79	160	320	481	641
0.80	156	313	469	625
0.81	152	305	457	610
0.82	149	297	446	595
0.83	145	290	435	581
0.84	142	283	425	567
0.85	138	277	415	554
0.86	135	270	406	541
0.87	132	264	396	528
0.88	129	258	387	517
0.89	126	252	379	505
0.90	123	247	370	494
0.91	121	242	362	483
0.92	118	236	354	473
0.93	116	231	347	462
0.94	113	226	340	453
0.95	111	222	332	443
0.96	109	217	326	434
0.97	106	213	319	425
0.98	104	208	312	416
0.99	102	204	306	408
1.00	100	200	300	400



# Ordering sheet

For faster quote processing, please use the following request for ordering sheet. For each section, check the applicable box or enter value corresponding to your choice.

Receipt	LS ELECTRIC Co., Ltd.		Order date			Distributor name		
Project			Contractor					
Delivery place			Delivery date			PNL Maker		

ACB main body	Type of ACB	<input type="checkbox"/> AH <input type="checkbox"/> AN <sup>Note 1)</sup> <input type="checkbox"/> AS			Quantity																																																																																																																																																																																																																																																																																																																																																																																																																																																						
	Frame size	<input type="checkbox"/> D (630-2000AF) <sup>Note 1)</sup> <input type="checkbox"/> E (2000-4000AF) <input type="checkbox"/> F (4000-5000AF) <input type="checkbox"/> G (4000-6300AF)																																																																																																																																																																																																																																																																																																																																																																																																																																																									
	Ratings	AF																																																																																																																																																																																																																																																																																																																																																																																																																																																									
	Rated current (CT)	A																																																																																																																																																																																																																																																																																																																																																																																																																																																									
	Trip relay	<input type="checkbox"/> NO <input type="checkbox"/> YES																																																																																																																																																																																																																																																																																																																																																																																																																																																									
		OCR type				STU type																																																																																																																																																																																																																																																																																																																																																																																																																																																					
		<table border="1"> <thead> <tr> <th rowspan="2">Type</th> <th colspan="2">Frequency</th> <th colspan="3">Control voltage</th> <th colspan="2">Comm.</th> <th colspan="2">Optional function</th> </tr> <tr> <th>60Hz</th> <th>50Hz</th> <th>No</th> <th>AC/DC 100-250V</th> <th>DC 15-60V</th> <th>No</th> <th>Yes</th> <th>Earth leakage detection</th> <th>External CT ground fault</th> </tr> </thead> <tbody> <tr> <td rowspan="10">N Normal</td> <td><input type="checkbox"/> NGO</td> <td><input type="checkbox"/> NG5</td> <td><input type="checkbox"/></td> <td><input type="checkbox"/></td> <td><input type="checkbox"/></td> <td><input type="checkbox"/></td> <td><input type="checkbox"/></td> <td><input type="checkbox"/></td> <td><input type="checkbox"/></td> </tr> <tr> <td><input type="checkbox"/> AGO</td> <td><input type="checkbox"/> AG5</td> <td><input type="checkbox"/></td> <td><input type="checkbox"/></td> <td><input type="checkbox"/></td> <td><input type="checkbox"/></td> <td><input type="checkbox"/></td> <td><input type="checkbox"/></td> <td><input type="checkbox"/></td> </tr> <tr> <td><input type="checkbox"/> AG1</td> <td><input type="checkbox"/> AG6</td> <td><input type="checkbox"/></td> <td><input type="checkbox"/></td> <td><input type="checkbox"/></td> <td><input type="checkbox"/></td> <td><input type="checkbox"/></td> <td><input type="checkbox"/></td> <td><input type="checkbox"/></td> </tr> <tr> <td><input type="checkbox"/> AG2</td> <td><input type="checkbox"/> AG7</td> <td><input type="checkbox"/></td> <td><input type="checkbox"/></td> <td><input type="checkbox"/></td> <td><input type="checkbox"/></td> <td><input type="checkbox"/></td> <td><input type="checkbox"/></td> <td><input type="checkbox"/></td> </tr> <tr> <td><input type="checkbox"/> AZ0</td> <td><input type="checkbox"/> AZ5</td> <td><input type="checkbox"/></td> <td><input type="checkbox"/></td> <td><input type="checkbox"/></td> <td><input type="checkbox"/></td> <td><input type="checkbox"/></td> <td><input type="checkbox"/></td> <td><input type="checkbox"/></td> </tr> <tr> <td><input type="checkbox"/> AZ1</td> <td><input type="checkbox"/> AZ6</td> <td><input type="checkbox"/></td> <td><input type="checkbox"/></td> <td><input type="checkbox"/></td> <td><input type="checkbox"/></td> <td><input type="checkbox"/></td> <td><input type="checkbox"/></td> <td><input type="checkbox"/></td> </tr> <tr> <td><input type="checkbox"/> AZ2</td> <td><input type="checkbox"/> AZ7</td> <td><input type="checkbox"/></td> <td><input type="checkbox"/></td> <td><input type="checkbox"/></td> <td><input type="checkbox"/></td> <td><input type="checkbox"/></td> <td><input type="checkbox"/></td> <td><input type="checkbox"/></td> </tr> <tr> <td><input type="checkbox"/> AE0</td> <td><input type="checkbox"/> AE5</td> <td><input type="checkbox"/></td> <td><input type="checkbox"/></td> <td><input type="checkbox"/></td> <td><input type="checkbox"/></td> <td><input type="checkbox"/></td> <td><input type="checkbox"/></td> <td><input type="checkbox"/></td> </tr> <tr> <td><input type="checkbox"/> AE1</td> <td><input type="checkbox"/> AE6</td> <td><input type="checkbox"/></td> <td><input type="checkbox"/></td> <td><input type="checkbox"/></td> <td><input type="checkbox"/></td> <td><input type="checkbox"/></td> <td><input type="checkbox"/></td> <td><input type="checkbox"/></td> </tr> <tr> <td><input type="checkbox"/> AE2</td> <td><input type="checkbox"/> AE7</td> <td><input type="checkbox"/></td> <td><input type="checkbox"/></td> <td><input type="checkbox"/></td> <td><input type="checkbox"/></td> <td><input type="checkbox"/></td> <td><input type="checkbox"/></td> <td><input type="checkbox"/></td> </tr> <tr> <td rowspan="10">A Ammeter</td> <td><input type="checkbox"/> AC1</td> <td><input type="checkbox"/> AC6</td> <td><input type="checkbox"/></td> <td><input type="checkbox"/></td> <td><input type="checkbox"/></td> <td><input type="checkbox"/></td> <td><input type="checkbox"/></td> <td><input type="checkbox"/></td> <td><input type="checkbox"/></td> </tr> <tr> <td><input type="checkbox"/> AC2</td> <td><input type="checkbox"/> AC7</td> <td><input type="checkbox"/></td> <td><input type="checkbox"/></td> <td><input type="checkbox"/></td> <td><input type="checkbox"/></td> <td><input type="checkbox"/></td> <td><input type="checkbox"/></td> <td><input type="checkbox"/></td> </tr> <tr> <td><input type="checkbox"/> AK1</td> <td><input type="checkbox"/> AK6</td> <td><input type="checkbox"/></td> <td><input type="checkbox"/></td> <td><input type="checkbox"/></td> <td><input type="checkbox"/></td> <td><input type="checkbox"/></td> <td><input type="checkbox"/></td> <td><input type="checkbox"/></td> </tr> <tr> <td><input type="checkbox"/> AK2</td> <td><input type="checkbox"/> AK7</td> <td><input type="checkbox"/></td> <td><input type="checkbox"/></td> <td><input type="checkbox"/></td> <td><input type="checkbox"/></td> <td><input type="checkbox"/></td> <td><input type="checkbox"/></td> <td><input type="checkbox"/></td> </tr> <tr> <td><input type="checkbox"/> AX1</td> <td><input type="checkbox"/> AX6</td> <td><input type="checkbox"/></td> <td><input type="checkbox"/></td> <td><input type="checkbox"/></td> <td><input type="checkbox"/></td> <td><input type="checkbox"/></td> <td><input type="checkbox"/></td> <td><input type="checkbox"/></td> </tr> <tr> <td><input type="checkbox"/> AX2</td> <td><input type="checkbox"/> AX7</td> <td><input type="checkbox"/></td> <td><input type="checkbox"/></td> <td><input type="checkbox"/></td> <td><input type="checkbox"/></td> <td><input type="checkbox"/></td> <td><input type="checkbox"/></td> <td><input type="checkbox"/></td> </tr> </tbody> </table>	Type	Frequency		Control voltage			Comm.		Optional function		60Hz	50Hz	No	AC/DC 100-250V	DC 15-60V	No	Yes	Earth leakage detection	External CT ground fault	N Normal	<input type="checkbox"/> NGO	<input type="checkbox"/> NG5	<input type="checkbox"/>	<input type="checkbox"/>	<input type="checkbox"/>	<input type="checkbox"/>	<input type="checkbox"/>	<input type="checkbox"/>	<input type="checkbox"/>	<input type="checkbox"/> AGO	<input type="checkbox"/> AG5	<input type="checkbox"/>	<input type="checkbox"/>	<input type="checkbox"/>	<input type="checkbox"/>	<input type="checkbox"/>	<input type="checkbox"/>	<input type="checkbox"/>	<input type="checkbox"/> AG1	<input type="checkbox"/> AG6	<input type="checkbox"/>	<input type="checkbox"/>	<input type="checkbox"/>	<input type="checkbox"/>	<input type="checkbox"/>	<input type="checkbox"/>	<input type="checkbox"/>	<input type="checkbox"/> AG2	<input type="checkbox"/> AG7	<input type="checkbox"/>	<input type="checkbox"/>	<input type="checkbox"/>	<input type="checkbox"/>	<input type="checkbox"/>	<input type="checkbox"/>	<input type="checkbox"/>	<input type="checkbox"/> AZ0	<input type="checkbox"/> AZ5	<input type="checkbox"/>	<input type="checkbox"/>	<input type="checkbox"/>	<input type="checkbox"/>	<input type="checkbox"/>	<input type="checkbox"/>	<input type="checkbox"/>	<input type="checkbox"/> AZ1	<input type="checkbox"/> AZ6	<input type="checkbox"/>	<input type="checkbox"/>	<input type="checkbox"/>	<input type="checkbox"/>	<input type="checkbox"/>	<input type="checkbox"/>	<input type="checkbox"/>	<input type="checkbox"/> AZ2	<input type="checkbox"/> AZ7	<input type="checkbox"/>	<input type="checkbox"/>	<input type="checkbox"/>	<input type="checkbox"/>	<input type="checkbox"/>	<input type="checkbox"/>	<input type="checkbox"/>	<input type="checkbox"/> AE0	<input type="checkbox"/> AE5	<input type="checkbox"/>	<input type="checkbox"/>	<input type="checkbox"/>	<input type="checkbox"/>	<input type="checkbox"/>	<input type="checkbox"/>	<input type="checkbox"/>	<input type="checkbox"/> AE1	<input type="checkbox"/> AE6	<input type="checkbox"/>	<input type="checkbox"/>	<input type="checkbox"/>	<input type="checkbox"/>	<input type="checkbox"/>	<input type="checkbox"/>	<input type="checkbox"/>	<input type="checkbox"/> AE2	<input type="checkbox"/> AE7	<input type="checkbox"/>	<input type="checkbox"/>	<input type="checkbox"/>	<input type="checkbox"/>	<input type="checkbox"/>	<input type="checkbox"/>	<input type="checkbox"/>	A Ammeter	<input type="checkbox"/> AC1	<input type="checkbox"/> AC6	<input type="checkbox"/>	<input type="checkbox"/>	<input type="checkbox"/>	<input type="checkbox"/>	<input type="checkbox"/>	<input type="checkbox"/>	<input type="checkbox"/>	<input type="checkbox"/> AC2	<input type="checkbox"/> AC7	<input type="checkbox"/>	<input type="checkbox"/>	<input type="checkbox"/>	<input type="checkbox"/>	<input type="checkbox"/>	<input type="checkbox"/>	<input type="checkbox"/>	<input type="checkbox"/> AK1	<input type="checkbox"/> AK6	<input type="checkbox"/>	<input type="checkbox"/>	<input type="checkbox"/>	<input type="checkbox"/>	<input type="checkbox"/>	<input type="checkbox"/>	<input type="checkbox"/>	<input type="checkbox"/> AK2	<input type="checkbox"/> AK7	<input type="checkbox"/>	<input type="checkbox"/>	<input type="checkbox"/>	<input type="checkbox"/>	<input type="checkbox"/>	<input type="checkbox"/>	<input type="checkbox"/>	<input type="checkbox"/> AX1	<input type="checkbox"/> AX6	<input type="checkbox"/>	<input type="checkbox"/>	<input type="checkbox"/>	<input type="checkbox"/>	<input type="checkbox"/>	<input type="checkbox"/>	<input type="checkbox"/>	<input type="checkbox"/> AX2	<input type="checkbox"/> AX7	<input type="checkbox"/>	<input type="checkbox"/>	<input type="checkbox"/>	<input type="checkbox"/>	<input type="checkbox"/>	<input type="checkbox"/>	<input type="checkbox"/>	<table border="1"> <thead> <tr> <th rowspan="2">Type</th> <th colspan="2">Frequency</th> <th colspan="2">Control voltage</th> <th rowspan="2">Comm.</th> <th colspan="3">Optional function</th> </tr> <tr> <th>60Hz</th> <th>50Hz</th> <th>AC/DC 100-250V</th> <th>DC 15-60V</th> <th>Earth leakage detection</th> <th>External CT ground fault</th> <th>Pre-Trip Alarm</th> </tr> </thead> <tbody> <tr> <td rowspan="16">P Power Meter</td> <td><input type="checkbox"/> PS1</td> <td><input type="checkbox"/> PS6</td> <td><input type="checkbox"/></td> <td><input type="checkbox"/></td> <td><input type="checkbox"/></td> <td><input type="checkbox"/></td> <td><input type="checkbox"/></td> <td><input type="checkbox"/></td> </tr> <tr> <td><input type="checkbox"/> PS2</td> <td><input type="checkbox"/> PS7</td> <td><input type="checkbox"/></td> <td><input type="checkbox"/></td> <td><input type="checkbox"/></td> <td><input type="checkbox"/></td> <td><input type="checkbox"/></td> <td><input type="checkbox"/></td> </tr> <tr> <td><input type="checkbox"/> PJ1</td> <td><input type="checkbox"/> PJ6</td> <td><input type="checkbox"/></td> <td><input type="checkbox"/></td> <td><input type="checkbox"/></td> <td><input type="checkbox"/></td> <td><input type="checkbox"/></td> <td><input type="checkbox"/></td> </tr> <tr> <td><input type="checkbox"/> PJ2</td> <td><input type="checkbox"/> PJ7</td> <td><input type="checkbox"/></td> <td><input type="checkbox"/></td> <td><input type="checkbox"/></td> <td><input type="checkbox"/></td> <td><input type="checkbox"/></td> <td><input type="checkbox"/></td> </tr> <tr> <td><input type="checkbox"/> PV1</td> <td><input type="checkbox"/> PV6</td> <td><input type="checkbox"/></td> <td><input type="checkbox"/></td> <td><input type="checkbox"/></td> <td><input type="checkbox"/></td> <td><input type="checkbox"/></td> <td><input type="checkbox"/></td> </tr> <tr> <td><input type="checkbox"/> PV2</td> <td><input type="checkbox"/> PV7</td> <td><input type="checkbox"/></td> <td><input type="checkbox"/></td> <td><input type="checkbox"/></td> <td><input type="checkbox"/></td> <td><input type="checkbox"/></td> <td><input type="checkbox"/></td> </tr> <tr> <td><input type="checkbox"/> PO1</td> <td><input type="checkbox"/> PO6</td> <td><input type="checkbox"/></td> <td><input type="checkbox"/></td> <td><input type="checkbox"/></td> <td><input type="checkbox"/></td> <td><input type="checkbox"/></td> <td><input type="checkbox"/></td> </tr> <tr> <td><input type="checkbox"/> PO2</td> <td><input type="checkbox"/> PO7</td> <td><input type="checkbox"/></td> <td><input type="checkbox"/></td> <td><input type="checkbox"/></td> <td><input type="checkbox"/></td> <td><input type="checkbox"/></td> <td><input type="checkbox"/></td> </tr> <tr> <td><input type="checkbox"/> PS3</td> <td><input type="checkbox"/> PS8</td> <td><input type="checkbox"/></td> <td><input type="checkbox"/></td> <td><input type="checkbox"/></td> <td><input type="checkbox"/></td> <td><input type="checkbox"/></td> <td><input type="checkbox"/></td> </tr> <tr> <td><input type="checkbox"/> PS4</td> <td><input type="checkbox"/> PS9</td> <td><input type="checkbox"/></td> <td><input type="checkbox"/></td> <td><input type="checkbox"/></td> <td><input type="checkbox"/></td> <td><input type="checkbox"/></td> <td><input type="checkbox"/></td> </tr> <tr> <td><input type="checkbox"/> PJ3</td> <td><input type="checkbox"/> PJ8</td> <td><input type="checkbox"/></td> <td><input type="checkbox"/></td> <td><input type="checkbox"/></td> <td><input type="checkbox"/></td> <td><input type="checkbox"/></td> <td><input type="checkbox"/></td> </tr> <tr> <td><input type="checkbox"/> PJ4</td> <td><input type="checkbox"/> PJ9</td> <td><input type="checkbox"/></td> <td><input type="checkbox"/></td> <td><input type="checkbox"/></td> <td><input type="checkbox"/></td> <td><input type="checkbox"/></td> <td><input type="checkbox"/></td> </tr> <tr> <td><input type="checkbox"/> PV3</td> <td><input type="checkbox"/> PV8</td> <td><input type="checkbox"/></td> <td><input type="checkbox"/></td> <td><input type="checkbox"/></td> <td><input type="checkbox"/></td> <td><input type="checkbox"/></td> <td><input type="checkbox"/></td> </tr> <tr> <td><input type="checkbox"/> PV4</td> <td><input type="checkbox"/> PV9</td> <td><input type="checkbox"/></td> <td><input type="checkbox"/></td> <td><input type="checkbox"/></td> <td><input type="checkbox"/></td> <td><input type="checkbox"/></td> <td><input type="checkbox"/></td> </tr> <tr> <td><input type="checkbox"/> PO3</td> <td><input type="checkbox"/> PO8</td> <td><input type="checkbox"/></td> <td><input type="checkbox"/></td> <td><input type="checkbox"/></td> <td><input type="checkbox"/></td> <td><input type="checkbox"/></td> <td><input type="checkbox"/></td> </tr> <tr> <td><input type="checkbox"/> PO4</td> <td><input type="checkbox"/> PO9</td> <td><input type="checkbox"/></td> <td><input type="checkbox"/></td> <td><input type="checkbox"/></td> <td><input type="checkbox"/></td> <td><input type="checkbox"/></td> <td><input type="checkbox"/></td> </tr> <tr> <td rowspan="16">S Supreme Meter</td> <td><input type="checkbox"/> SS1</td> <td><input type="checkbox"/> SS6</td> <td><input type="checkbox"/></td> <td><input type="checkbox"/></td> <td><input type="checkbox"/></td> <td><input type="checkbox"/></td> <td><input type="checkbox"/></td> <td><input type="checkbox"/></td> </tr> <tr> <td><input type="checkbox"/> SS2</td> <td><input type="checkbox"/> SS7</td> <td><input type="checkbox"/></td> <td><input type="checkbox"/></td> <td><input type="checkbox"/></td> <td><input type="checkbox"/></td> <td><input type="checkbox"/></td> <td><input type="checkbox"/></td> </tr> <tr> <td><input type="checkbox"/> SJ1</td> <td><input type="checkbox"/> SJ6</td> <td><input type="checkbox"/></td> <td><input type="checkbox"/></td> <td><input type="checkbox"/></td> <td><input type="checkbox"/></td> <td><input type="checkbox"/></td> <td><input type="checkbox"/></td> </tr> <tr> <td><input type="checkbox"/> SJ2</td> <td><input type="checkbox"/> SJ7</td> <td><input type="checkbox"/></td> <td><input type="checkbox"/></td> <td><input type="checkbox"/></td> <td><input type="checkbox"/></td> <td><input type="checkbox"/></td> <td><input type="checkbox"/></td> </tr> <tr> <td><input type="checkbox"/> SY1</td> <td><input type="checkbox"/> SY6</td> <td><input type="checkbox"/></td> <td><input type="checkbox"/></td> <td><input type="checkbox"/></td> <td><input type="checkbox"/></td> <td><input type="checkbox"/></td> <td><input type="checkbox"/></td> </tr> <tr> <td><input type="checkbox"/> SY2</td> <td><input type="checkbox"/> SY7</td> <td><input type="checkbox"/></td> <td><input type="checkbox"/></td> <td><input type="checkbox"/></td> <td><input type="checkbox"/></td> <td><input type="checkbox"/></td> <td><input type="checkbox"/></td> </tr> <tr> <td><input type="checkbox"/> SO1</td> <td><input type="checkbox"/> SO6</td> <td><input type="checkbox"/></td> <td><input type="checkbox"/></td> <td><input type="checkbox"/></td> <td><input type="checkbox"/></td> <td><input type="checkbox"/></td> <td><input type="checkbox"/></td> </tr> <tr> <td><input type="checkbox"/> SO2</td> <td><input type="checkbox"/> SO7</td> <td><input type="checkbox"/></td> <td><input type="checkbox"/></td> <td><input type="checkbox"/></td> <td><input type="checkbox"/></td> <td><input type="checkbox"/></td> <td><input type="checkbox"/></td> </tr> <tr> <td><input type="checkbox"/> SS3</td> <td><input type="checkbox"/> SS8</td> <td><input type="checkbox"/></td> <td><input type="checkbox"/></td> <td><input type="checkbox"/></td> <td><input type="checkbox"/></td> <td><input type="checkbox"/></td> <td><input type="checkbox"/></td> </tr> <tr> <td><input type="checkbox"/> SS4</td> <td><input type="checkbox"/> SS9</td> <td><input type="checkbox"/></td> <td><input type="checkbox"/></td> <td><input type="checkbox"/></td> <td><input type="checkbox"/></td> <td><input type="checkbox"/></td> <td><input type="checkbox"/></td> </tr> <tr> <td><input type="checkbox"/> SJ3</td> <td><input type="checkbox"/> SJ8</td> <td><input type="checkbox"/></td> <td><input type="checkbox"/></td> <td><input type="checkbox"/></td> <td><input type="checkbox"/></td> <td><input type="checkbox"/></td> <td><input type="checkbox"/></td> </tr> <tr> <td><input type="checkbox"/> SJ4</td> <td><input type="checkbox"/> SJ9</td> <td><input type="checkbox"/></td> <td><input type="checkbox"/></td> <td><input type="checkbox"/></td> <td><input type="checkbox"/></td> <td><input type="checkbox"/></td> <td><input type="checkbox"/></td> </tr> <tr> <td><input type="checkbox"/> SY3</td> <td><input type="checkbox"/> SY8</td> <td><input type="checkbox"/></td> <td><input type="checkbox"/></td> <td><input type="checkbox"/></td> <td><input type="checkbox"/></td> <td><input type="checkbox"/></td> <td><input type="checkbox"/></td> </tr> <tr> <td><input type="checkbox"/> SY4</td> <td><input type="checkbox"/> SY9</td> <td><input type="checkbox"/></td> <td><input type="checkbox"/></td> <td><input type="checkbox"/></td> <td><input type="checkbox"/></td> <td><input type="checkbox"/></td> <td><input type="checkbox"/></td> </tr> <tr> <td><input type="checkbox"/> SO3</td> <td><input type="checkbox"/> SO8</td> <td><input type="checkbox"/></td> <td><input type="checkbox"/></td> <td><input type="checkbox"/></td> <td><input type="checkbox"/></td> <td><input type="checkbox"/></td> <td><input type="checkbox"/></td> </tr> <tr> <td><input type="checkbox"/> SO4</td> <td><input type="checkbox"/> SO9</td> <td><input type="checkbox"/></td> <td><input type="checkbox"/></td> <td><input type="checkbox"/></td> <td><input type="checkbox"/></td> <td><input type="checkbox"/></td> <td><input type="checkbox"/></td> </tr> </tbody> </table>	Type	Frequency		Control voltage		Comm.	Optional function			60Hz	50Hz	AC/DC 100-250V	DC 15-60V	Earth leakage detection	External CT ground fault	Pre-Trip Alarm	P Power Meter	<input type="checkbox"/> PS1	<input type="checkbox"/> PS6	<input type="checkbox"/>	<input type="checkbox"/>	<input type="checkbox"/>	<input type="checkbox"/>	<input type="checkbox"/>	<input type="checkbox"/>	<input type="checkbox"/> PS2	<input type="checkbox"/> PS7	<input type="checkbox"/>	<input type="checkbox"/>	<input type="checkbox"/>	<input type="checkbox"/>	<input type="checkbox"/>	<input type="checkbox"/>	<input type="checkbox"/> PJ1	<input type="checkbox"/> PJ6	<input type="checkbox"/>	<input type="checkbox"/>	<input type="checkbox"/>	<input type="checkbox"/>	<input type="checkbox"/>	<input type="checkbox"/>	<input type="checkbox"/> PJ2	<input type="checkbox"/> PJ7	<input type="checkbox"/>	<input type="checkbox"/>	<input type="checkbox"/>	<input type="checkbox"/>	<input type="checkbox"/>	<input type="checkbox"/>	<input type="checkbox"/> PV1	<input type="checkbox"/> PV6	<input type="checkbox"/>	<input type="checkbox"/>	<input type="checkbox"/>	<input type="checkbox"/>	<input type="checkbox"/>	<input type="checkbox"/>	<input type="checkbox"/> PV2	<input type="checkbox"/> PV7	<input type="checkbox"/>	<input type="checkbox"/>	<input type="checkbox"/>	<input type="checkbox"/>	<input type="checkbox"/>	<input type="checkbox"/>	<input type="checkbox"/> PO1	<input type="checkbox"/> PO6	<input type="checkbox"/>	<input type="checkbox"/>	<input type="checkbox"/>	<input type="checkbox"/>	<input type="checkbox"/>	<input type="checkbox"/>	<input type="checkbox"/> PO2	<input type="checkbox"/> PO7	<input type="checkbox"/>	<input type="checkbox"/>	<input type="checkbox"/>	<input type="checkbox"/>	<input type="checkbox"/>	<input type="checkbox"/>	<input type="checkbox"/> PS3	<input type="checkbox"/> PS8	<input type="checkbox"/>	<input type="checkbox"/>	<input type="checkbox"/>	<input type="checkbox"/>	<input type="checkbox"/>	<input type="checkbox"/>	<input type="checkbox"/> PS4	<input type="checkbox"/> PS9	<input type="checkbox"/>	<input type="checkbox"/>	<input type="checkbox"/>	<input type="checkbox"/>	<input type="checkbox"/>	<input type="checkbox"/>	<input type="checkbox"/> PJ3	<input type="checkbox"/> PJ8	<input type="checkbox"/>	<input type="checkbox"/>	<input type="checkbox"/>	<input type="checkbox"/>	<input type="checkbox"/>	<input type="checkbox"/>	<input type="checkbox"/> PJ4	<input type="checkbox"/> PJ9	<input type="checkbox"/>	<input type="checkbox"/>	<input type="checkbox"/>	<input type="checkbox"/>	<input type="checkbox"/>	<input type="checkbox"/>	<input type="checkbox"/> PV3	<input type="checkbox"/> PV8	<input type="checkbox"/>	<input type="checkbox"/>	<input type="checkbox"/>	<input type="checkbox"/>	<input type="checkbox"/>	<input type="checkbox"/>	<input type="checkbox"/> PV4	<input type="checkbox"/> PV9	<input type="checkbox"/>	<input type="checkbox"/>	<input type="checkbox"/>	<input type="checkbox"/>	<input type="checkbox"/>	<input type="checkbox"/>	<input type="checkbox"/> PO3	<input type="checkbox"/> PO8	<input type="checkbox"/>	<input type="checkbox"/>	<input type="checkbox"/>	<input type="checkbox"/>	<input type="checkbox"/>	<input type="checkbox"/>	<input type="checkbox"/> PO4	<input type="checkbox"/> PO9	<input type="checkbox"/>	<input type="checkbox"/>	<input type="checkbox"/>	<input type="checkbox"/>	<input type="checkbox"/>	<input type="checkbox"/>	S Supreme Meter	<input type="checkbox"/> SS1	<input type="checkbox"/> SS6	<input type="checkbox"/>	<input type="checkbox"/>	<input type="checkbox"/>	<input type="checkbox"/>	<input type="checkbox"/>	<input type="checkbox"/>	<input type="checkbox"/> SS2	<input type="checkbox"/> SS7	<input type="checkbox"/>	<input type="checkbox"/>	<input type="checkbox"/>	<input type="checkbox"/>	<input type="checkbox"/>	<input type="checkbox"/>	<input type="checkbox"/> SJ1	<input type="checkbox"/> SJ6	<input type="checkbox"/>	<input type="checkbox"/>	<input type="checkbox"/>	<input type="checkbox"/>	<input type="checkbox"/>	<input type="checkbox"/>	<input type="checkbox"/> SJ2	<input type="checkbox"/> SJ7	<input type="checkbox"/>	<input type="checkbox"/>	<input type="checkbox"/>	<input type="checkbox"/>	<input type="checkbox"/>	<input type="checkbox"/>	<input type="checkbox"/> SY1	<input type="checkbox"/> SY6	<input type="checkbox"/>	<input type="checkbox"/>	<input type="checkbox"/>	<input type="checkbox"/>	<input type="checkbox"/>	<input type="checkbox"/>	<input type="checkbox"/> SY2	<input type="checkbox"/> SY7	<input type="checkbox"/>	<input type="checkbox"/>	<input type="checkbox"/>	<input type="checkbox"/>	<input type="checkbox"/>	<input type="checkbox"/>	<input type="checkbox"/> SO1	<input type="checkbox"/> SO6	<input type="checkbox"/>	<input type="checkbox"/>	<input type="checkbox"/>	<input type="checkbox"/>	<input type="checkbox"/>	<input type="checkbox"/>	<input type="checkbox"/> SO2	<input type="checkbox"/> SO7	<input type="checkbox"/>	<input type="checkbox"/>	<input type="checkbox"/>	<input type="checkbox"/>	<input type="checkbox"/>	<input type="checkbox"/>	<input type="checkbox"/> SS3	<input type="checkbox"/> SS8	<input type="checkbox"/>	<input type="checkbox"/>	<input type="checkbox"/>	<input type="checkbox"/>	<input type="checkbox"/>	<input type="checkbox"/>	<input type="checkbox"/> SS4	<input type="checkbox"/> SS9	<input type="checkbox"/>	<input type="checkbox"/>	<input type="checkbox"/>	<input type="checkbox"/>	<input type="checkbox"/>	<input type="checkbox"/>	<input type="checkbox"/> SJ3	<input type="checkbox"/> SJ8	<input type="checkbox"/>	<input type="checkbox"/>	<input type="checkbox"/>	<input type="checkbox"/>	<input type="checkbox"/>	<input type="checkbox"/>	<input type="checkbox"/> SJ4	<input type="checkbox"/> SJ9	<input type="checkbox"/>	<input type="checkbox"/>	<input type="checkbox"/>	<input type="checkbox"/>	<input type="checkbox"/>	<input type="checkbox"/>	<input type="checkbox"/> SY3	<input type="checkbox"/> SY8	<input type="checkbox"/>	<input type="checkbox"/>	<input type="checkbox"/>	<input type="checkbox"/>	<input type="checkbox"/>	<input type="checkbox"/>	<input type="checkbox"/> SY4	<input type="checkbox"/> SY9	<input type="checkbox"/>	<input type="checkbox"/>	<input type="checkbox"/>	<input type="checkbox"/>	<input type="checkbox"/>	<input type="checkbox"/>	<input type="checkbox"/> SO3	<input type="checkbox"/> SO8	<input type="checkbox"/>	<input type="checkbox"/>	<input type="checkbox"/>	<input type="checkbox"/>	<input type="checkbox"/>	<input type="checkbox"/>	<input type="checkbox"/> SO4	<input type="checkbox"/> SO9	<input type="checkbox"/>	<input type="checkbox"/>	<input type="checkbox"/>	<input type="checkbox"/>	<input type="checkbox"/>	<input type="checkbox"/>	<p>Note) - Standard function: Ground fault detection                  - Communication function is not available under no control voltage                  - AN, AS type is not available for S Meter                  - P(Power), S(Supreme) Meter is also available for generator protection                  - P, S Meter needs the accessory(VDM) for voltage measurement</p>
	Type	Frequency		Control voltage			Comm.		Optional function																																																																																																																																																																																																																																																																																																																																																																																																																																																		
		60Hz	50Hz	No	AC/DC 100-250V	DC 15-60V	No	Yes	Earth leakage detection	External CT ground fault																																																																																																																																																																																																																																																																																																																																																																																																																																																	
	N Normal	<input type="checkbox"/> NGO	<input type="checkbox"/> NG5	<input type="checkbox"/>	<input type="checkbox"/>	<input type="checkbox"/>	<input type="checkbox"/>	<input type="checkbox"/>	<input type="checkbox"/>	<input type="checkbox"/>																																																																																																																																																																																																																																																																																																																																																																																																																																																	
<input type="checkbox"/> AGO		<input type="checkbox"/> AG5	<input type="checkbox"/>	<input type="checkbox"/>	<input type="checkbox"/>	<input type="checkbox"/>	<input type="checkbox"/>	<input type="checkbox"/>	<input type="checkbox"/>																																																																																																																																																																																																																																																																																																																																																																																																																																																		
<input type="checkbox"/> AG1		<input type="checkbox"/> AG6	<input type="checkbox"/>	<input type="checkbox"/>	<input type="checkbox"/>	<input type="checkbox"/>	<input type="checkbox"/>	<input type="checkbox"/>	<input type="checkbox"/>																																																																																																																																																																																																																																																																																																																																																																																																																																																		
<input type="checkbox"/> AG2		<input type="checkbox"/> AG7	<input type="checkbox"/>	<input type="checkbox"/>	<input type="checkbox"/>	<input type="checkbox"/>	<input type="checkbox"/>	<input type="checkbox"/>	<input type="checkbox"/>																																																																																																																																																																																																																																																																																																																																																																																																																																																		
<input type="checkbox"/> AZ0		<input type="checkbox"/> AZ5	<input type="checkbox"/>	<input type="checkbox"/>	<input type="checkbox"/>	<input type="checkbox"/>	<input type="checkbox"/>	<input type="checkbox"/>	<input type="checkbox"/>																																																																																																																																																																																																																																																																																																																																																																																																																																																		
<input type="checkbox"/> AZ1		<input type="checkbox"/> AZ6	<input type="checkbox"/>	<input type="checkbox"/>	<input type="checkbox"/>	<input type="checkbox"/>	<input type="checkbox"/>	<input type="checkbox"/>	<input type="checkbox"/>																																																																																																																																																																																																																																																																																																																																																																																																																																																		
<input type="checkbox"/> AZ2		<input type="checkbox"/> AZ7	<input type="checkbox"/>	<input type="checkbox"/>	<input type="checkbox"/>	<input type="checkbox"/>	<input type="checkbox"/>	<input type="checkbox"/>	<input type="checkbox"/>																																																																																																																																																																																																																																																																																																																																																																																																																																																		
<input type="checkbox"/> AE0		<input type="checkbox"/> AE5	<input type="checkbox"/>	<input type="checkbox"/>	<input type="checkbox"/>	<input type="checkbox"/>	<input type="checkbox"/>	<input type="checkbox"/>	<input type="checkbox"/>																																																																																																																																																																																																																																																																																																																																																																																																																																																		
<input type="checkbox"/> AE1		<input type="checkbox"/> AE6	<input type="checkbox"/>	<input type="checkbox"/>	<input type="checkbox"/>	<input type="checkbox"/>	<input type="checkbox"/>	<input type="checkbox"/>	<input type="checkbox"/>																																																																																																																																																																																																																																																																																																																																																																																																																																																		
<input type="checkbox"/> AE2		<input type="checkbox"/> AE7	<input type="checkbox"/>	<input type="checkbox"/>	<input type="checkbox"/>	<input type="checkbox"/>	<input type="checkbox"/>	<input type="checkbox"/>	<input type="checkbox"/>																																																																																																																																																																																																																																																																																																																																																																																																																																																		
A Ammeter	<input type="checkbox"/> AC1	<input type="checkbox"/> AC6	<input type="checkbox"/>	<input type="checkbox"/>	<input type="checkbox"/>	<input type="checkbox"/>	<input type="checkbox"/>	<input type="checkbox"/>	<input type="checkbox"/>																																																																																																																																																																																																																																																																																																																																																																																																																																																		
	<input type="checkbox"/> AC2	<input type="checkbox"/> AC7	<input type="checkbox"/>	<input type="checkbox"/>	<input type="checkbox"/>	<input type="checkbox"/>	<input type="checkbox"/>	<input type="checkbox"/>	<input type="checkbox"/>																																																																																																																																																																																																																																																																																																																																																																																																																																																		
	<input type="checkbox"/> AK1	<input type="checkbox"/> AK6	<input type="checkbox"/>	<input type="checkbox"/>	<input type="checkbox"/>	<input type="checkbox"/>	<input type="checkbox"/>	<input type="checkbox"/>	<input type="checkbox"/>																																																																																																																																																																																																																																																																																																																																																																																																																																																		
	<input type="checkbox"/> AK2	<input type="checkbox"/> AK7	<input type="checkbox"/>	<input type="checkbox"/>	<input type="checkbox"/>	<input type="checkbox"/>	<input type="checkbox"/>	<input type="checkbox"/>	<input type="checkbox"/>																																																																																																																																																																																																																																																																																																																																																																																																																																																		
	<input type="checkbox"/> AX1	<input type="checkbox"/> AX6	<input type="checkbox"/>	<input type="checkbox"/>	<input type="checkbox"/>	<input type="checkbox"/>	<input type="checkbox"/>	<input type="checkbox"/>	<input type="checkbox"/>																																																																																																																																																																																																																																																																																																																																																																																																																																																		
	<input type="checkbox"/> AX2	<input type="checkbox"/> AX7	<input type="checkbox"/>	<input type="checkbox"/>	<input type="checkbox"/>	<input type="checkbox"/>	<input type="checkbox"/>	<input type="checkbox"/>	<input type="checkbox"/>																																																																																																																																																																																																																																																																																																																																																																																																																																																		
	Type	Frequency		Control voltage		Comm.	Optional function																																																																																																																																																																																																																																																																																																																																																																																																																																																				
		60Hz	50Hz	AC/DC 100-250V	DC 15-60V		Earth leakage detection	External CT ground fault	Pre-Trip Alarm																																																																																																																																																																																																																																																																																																																																																																																																																																																		
	P Power Meter	<input type="checkbox"/> PS1	<input type="checkbox"/> PS6	<input type="checkbox"/>	<input type="checkbox"/>	<input type="checkbox"/>	<input type="checkbox"/>	<input type="checkbox"/>	<input type="checkbox"/>																																																																																																																																																																																																																																																																																																																																																																																																																																																		
		<input type="checkbox"/> PS2	<input type="checkbox"/> PS7	<input type="checkbox"/>	<input type="checkbox"/>	<input type="checkbox"/>	<input type="checkbox"/>	<input type="checkbox"/>	<input type="checkbox"/>																																																																																																																																																																																																																																																																																																																																																																																																																																																		
<input type="checkbox"/> PJ1		<input type="checkbox"/> PJ6	<input type="checkbox"/>	<input type="checkbox"/>	<input type="checkbox"/>	<input type="checkbox"/>	<input type="checkbox"/>	<input type="checkbox"/>																																																																																																																																																																																																																																																																																																																																																																																																																																																			
<input type="checkbox"/> PJ2		<input type="checkbox"/> PJ7	<input type="checkbox"/>	<input type="checkbox"/>	<input type="checkbox"/>	<input type="checkbox"/>	<input type="checkbox"/>	<input type="checkbox"/>																																																																																																																																																																																																																																																																																																																																																																																																																																																			
<input type="checkbox"/> PV1		<input type="checkbox"/> PV6	<input type="checkbox"/>	<input type="checkbox"/>	<input type="checkbox"/>	<input type="checkbox"/>	<input type="checkbox"/>	<input type="checkbox"/>																																																																																																																																																																																																																																																																																																																																																																																																																																																			
<input type="checkbox"/> PV2		<input type="checkbox"/> PV7	<input type="checkbox"/>	<input type="checkbox"/>	<input type="checkbox"/>	<input type="checkbox"/>	<input type="checkbox"/>	<input type="checkbox"/>																																																																																																																																																																																																																																																																																																																																																																																																																																																			
<input type="checkbox"/> PO1		<input type="checkbox"/> PO6	<input type="checkbox"/>	<input type="checkbox"/>	<input type="checkbox"/>	<input type="checkbox"/>	<input type="checkbox"/>	<input type="checkbox"/>																																																																																																																																																																																																																																																																																																																																																																																																																																																			
<input type="checkbox"/> PO2		<input type="checkbox"/> PO7	<input type="checkbox"/>	<input type="checkbox"/>	<input type="checkbox"/>	<input type="checkbox"/>	<input type="checkbox"/>	<input type="checkbox"/>																																																																																																																																																																																																																																																																																																																																																																																																																																																			
<input type="checkbox"/> PS3		<input type="checkbox"/> PS8	<input type="checkbox"/>	<input type="checkbox"/>	<input type="checkbox"/>	<input type="checkbox"/>	<input type="checkbox"/>	<input type="checkbox"/>																																																																																																																																																																																																																																																																																																																																																																																																																																																			
<input type="checkbox"/> PS4		<input type="checkbox"/> PS9	<input type="checkbox"/>	<input type="checkbox"/>	<input type="checkbox"/>	<input type="checkbox"/>	<input type="checkbox"/>	<input type="checkbox"/>																																																																																																																																																																																																																																																																																																																																																																																																																																																			
<input type="checkbox"/> PJ3		<input type="checkbox"/> PJ8	<input type="checkbox"/>	<input type="checkbox"/>	<input type="checkbox"/>	<input type="checkbox"/>	<input type="checkbox"/>	<input type="checkbox"/>																																																																																																																																																																																																																																																																																																																																																																																																																																																			
<input type="checkbox"/> PJ4		<input type="checkbox"/> PJ9	<input type="checkbox"/>	<input type="checkbox"/>	<input type="checkbox"/>	<input type="checkbox"/>	<input type="checkbox"/>	<input type="checkbox"/>																																																																																																																																																																																																																																																																																																																																																																																																																																																			
<input type="checkbox"/> PV3		<input type="checkbox"/> PV8	<input type="checkbox"/>	<input type="checkbox"/>	<input type="checkbox"/>	<input type="checkbox"/>	<input type="checkbox"/>	<input type="checkbox"/>																																																																																																																																																																																																																																																																																																																																																																																																																																																			
<input type="checkbox"/> PV4		<input type="checkbox"/> PV9	<input type="checkbox"/>	<input type="checkbox"/>	<input type="checkbox"/>	<input type="checkbox"/>	<input type="checkbox"/>	<input type="checkbox"/>																																																																																																																																																																																																																																																																																																																																																																																																																																																			
<input type="checkbox"/> PO3		<input type="checkbox"/> PO8	<input type="checkbox"/>	<input type="checkbox"/>	<input type="checkbox"/>	<input type="checkbox"/>	<input type="checkbox"/>	<input type="checkbox"/>																																																																																																																																																																																																																																																																																																																																																																																																																																																			
<input type="checkbox"/> PO4		<input type="checkbox"/> PO9	<input type="checkbox"/>	<input type="checkbox"/>	<input type="checkbox"/>	<input type="checkbox"/>	<input type="checkbox"/>	<input type="checkbox"/>																																																																																																																																																																																																																																																																																																																																																																																																																																																			
S Supreme Meter	<input type="checkbox"/> SS1	<input type="checkbox"/> SS6	<input type="checkbox"/>	<input type="checkbox"/>	<input type="checkbox"/>	<input type="checkbox"/>	<input type="checkbox"/>	<input type="checkbox"/>																																																																																																																																																																																																																																																																																																																																																																																																																																																			
	<input type="checkbox"/> SS2	<input type="checkbox"/> SS7	<input type="checkbox"/>	<input type="checkbox"/>	<input type="checkbox"/>	<input type="checkbox"/>	<input type="checkbox"/>	<input type="checkbox"/>																																																																																																																																																																																																																																																																																																																																																																																																																																																			
	<input type="checkbox"/> SJ1	<input type="checkbox"/> SJ6	<input type="checkbox"/>	<input type="checkbox"/>	<input type="checkbox"/>	<input type="checkbox"/>	<input type="checkbox"/>	<input type="checkbox"/>																																																																																																																																																																																																																																																																																																																																																																																																																																																			
	<input type="checkbox"/> SJ2	<input type="checkbox"/> SJ7	<input type="checkbox"/>	<input type="checkbox"/>	<input type="checkbox"/>	<input type="checkbox"/>	<input type="checkbox"/>	<input type="checkbox"/>																																																																																																																																																																																																																																																																																																																																																																																																																																																			
	<input type="checkbox"/> SY1	<input type="checkbox"/> SY6	<input type="checkbox"/>	<input type="checkbox"/>	<input type="checkbox"/>	<input type="checkbox"/>	<input type="checkbox"/>	<input type="checkbox"/>																																																																																																																																																																																																																																																																																																																																																																																																																																																			
	<input type="checkbox"/> SY2	<input type="checkbox"/> SY7	<input type="checkbox"/>	<input type="checkbox"/>	<input type="checkbox"/>	<input type="checkbox"/>	<input type="checkbox"/>	<input type="checkbox"/>																																																																																																																																																																																																																																																																																																																																																																																																																																																			
	<input type="checkbox"/> SO1	<input type="checkbox"/> SO6	<input type="checkbox"/>	<input type="checkbox"/>	<input type="checkbox"/>	<input type="checkbox"/>	<input type="checkbox"/>	<input type="checkbox"/>																																																																																																																																																																																																																																																																																																																																																																																																																																																			
	<input type="checkbox"/> SO2	<input type="checkbox"/> SO7	<input type="checkbox"/>	<input type="checkbox"/>	<input type="checkbox"/>	<input type="checkbox"/>	<input type="checkbox"/>	<input type="checkbox"/>																																																																																																																																																																																																																																																																																																																																																																																																																																																			
	<input type="checkbox"/> SS3	<input type="checkbox"/> SS8	<input type="checkbox"/>	<input type="checkbox"/>	<input type="checkbox"/>	<input type="checkbox"/>	<input type="checkbox"/>	<input type="checkbox"/>																																																																																																																																																																																																																																																																																																																																																																																																																																																			
	<input type="checkbox"/> SS4	<input type="checkbox"/> SS9	<input type="checkbox"/>	<input type="checkbox"/>	<input type="checkbox"/>	<input type="checkbox"/>	<input type="checkbox"/>	<input type="checkbox"/>																																																																																																																																																																																																																																																																																																																																																																																																																																																			
	<input type="checkbox"/> SJ3	<input type="checkbox"/> SJ8	<input type="checkbox"/>	<input type="checkbox"/>	<input type="checkbox"/>	<input type="checkbox"/>	<input type="checkbox"/>	<input type="checkbox"/>																																																																																																																																																																																																																																																																																																																																																																																																																																																			
	<input type="checkbox"/> SJ4	<input type="checkbox"/> SJ9	<input type="checkbox"/>	<input type="checkbox"/>	<input type="checkbox"/>	<input type="checkbox"/>	<input type="checkbox"/>	<input type="checkbox"/>																																																																																																																																																																																																																																																																																																																																																																																																																																																			
	<input type="checkbox"/> SY3	<input type="checkbox"/> SY8	<input type="checkbox"/>	<input type="checkbox"/>	<input type="checkbox"/>	<input type="checkbox"/>	<input type="checkbox"/>	<input type="checkbox"/>																																																																																																																																																																																																																																																																																																																																																																																																																																																			
	<input type="checkbox"/> SY4	<input type="checkbox"/> SY9	<input type="checkbox"/>	<input type="checkbox"/>	<input type="checkbox"/>	<input type="checkbox"/>	<input type="checkbox"/>	<input type="checkbox"/>																																																																																																																																																																																																																																																																																																																																																																																																																																																			
	<input type="checkbox"/> SO3	<input type="checkbox"/> SO8	<input type="checkbox"/>	<input type="checkbox"/>	<input type="checkbox"/>	<input type="checkbox"/>	<input type="checkbox"/>	<input type="checkbox"/>																																																																																																																																																																																																																																																																																																																																																																																																																																																			
	<input type="checkbox"/> SO4	<input type="checkbox"/> SO9	<input type="checkbox"/>	<input type="checkbox"/>	<input type="checkbox"/>	<input type="checkbox"/>	<input type="checkbox"/>	<input type="checkbox"/>																																																																																																																																																																																																																																																																																																																																																																																																																																																			
No. of poles	<input type="checkbox"/> 3-pole		<input type="checkbox"/> 4-pole		<input type="checkbox"/> Standard type (R, S, T, N) <input type="checkbox"/> Reverse phase type (N, R, S, T)																																																																																																																																																																																																																																																																																																																																																																																																																																																						
Installation type	<input type="checkbox"/> Draw-out type		<input type="checkbox"/> Fixed type																																																																																																																																																																																																																																																																																																																																																																																																																																																								
Closing type	<input type="checkbox"/> Manual closing <input type="checkbox"/> Electrical closing		• Charge method: Charging completion contact(1b) is basically installed Standard type (OFF-Charge method) Rapid auto-reclosing type (ON-Charge method)																																																																																																																																																																																																																																																																																																																																																																																																																																																								
	• Motor operating voltage		<input type="checkbox"/> AC/DC 100V-130V <input type="checkbox"/> AC/DC 200V-250V		<input type="checkbox"/> DC 125V <input type="checkbox"/> DC 24V-30V <input type="checkbox"/> DC 48V-60V <input type="checkbox"/> AC 48V-60V <input type="checkbox"/> AC 380V-480V <input type="checkbox"/> AC 48V																																																																																																																																																																																																																																																																																																																																																																																																																																																						
Closing voltage	<input type="checkbox"/> AC/DC 100V-130V <input type="checkbox"/> DC 125V		<input type="checkbox"/> AC/DC 200V-250V <input type="checkbox"/> DC 24V-30V <input type="checkbox"/> DC 48V-60V <input type="checkbox"/> AC 380V-480V <input type="checkbox"/> AC 48V																																																																																																																																																																																																																																																																																																																																																																																																																																																								
Trip voltage	<input type="checkbox"/> AC/DC 100V-130V <input type="checkbox"/> DC 125V		<input type="checkbox"/> AC/DC 200V-250V <input type="checkbox"/> DC 24V-30V <input type="checkbox"/> DC 48V-60V <input type="checkbox"/> AC 380V-480V <input type="checkbox"/> AC 48V																																																																																																																																																																																																																																																																																																																																																																																																																																																								

ACB cradle	Cradle type	<input type="checkbox"/> No safety shutter (E class) <input type="checkbox"/> Safety shutter attachment (F class)	
	Terminal connection	<input type="checkbox"/> Manual connection <input type="checkbox"/> Automatic connection	
	Connections	<input type="checkbox"/> Horizontal <input type="checkbox"/> Line: Horizontal, Load: Vertical <input type="checkbox"/> Vertical <input type="checkbox"/> Line: Vertical, Load: Horizontal <input type="checkbox"/> Front connection <input type="checkbox"/> Separate order/ User Installation	

ACB accessory	Main body	Standard accessory	• Aux. contact (AX)	<input type="checkbox"/> Standard type (3a3b, Standard installation) <input type="checkbox"/> Extended type (5a5b) <sup>Note 3)</sup>		<input type="checkbox"/> High capacity <sup>Note 3)</sup>			
			• Key Lock (K1, K3)	<input type="checkbox"/> Single key, K1 (ON-Lock) <input type="checkbox"/> Double key, K3 (ON-Lock)					
			• Undervoltage trip device (UVT, Instantaneous)	<input type="checkbox"/> AC/DC 100V-130V <input type="checkbox"/> AC/DC 200V-250V <input type="checkbox"/> DC 125V		<input type="checkbox"/> DC 24V-30V <input type="checkbox"/> DC 48V-60V <input type="checkbox"/> AC/DC 380V-480V <input type="checkbox"/> AC 48V			
			• Mechanical operation contact (MOC), Door Interlock (DI)	<input type="checkbox"/> Non-attachment type <input type="checkbox"/> Attachment type		<input type="checkbox"/> Attachment type <input type="checkbox"/> Attachment type			
			• Mechanical interlock (MI)	<input type="checkbox"/> Non-attachment type <input type="checkbox"/> Attachment type		<input type="checkbox"/> Attachment type <input type="checkbox"/> Attachment type			
			• Counter (C)	<input type="checkbox"/> Non-attachment type <input type="checkbox"/> Attachment type		<input type="checkbox"/> Attachment type <input type="checkbox"/> Attachment type			
			• Miss insertion preventive device (MIP)	<input type="checkbox"/> Non-attachment type <input type="checkbox"/> Attachment type		<input type="checkbox"/> Attachment type <input type="checkbox"/> Attachment type			
			• Double shunt coil (SHT2)	<input type="checkbox"/> Non-attachment type <input type="checkbox"/> Attachment type		<input type="checkbox"/> Attachment type <input type="checkbox"/> Attachment type			
			• Ready-to-close switch (RCS)	<input type="checkbox"/> Non-attachment type <input type="checkbox"/> Attachment type		<input type="checkbox"/> Attachment type <input type="checkbox"/> Attachment type			
			• Trip alarm switch, Manual reset button (AL, MRB)	<input type="checkbox"/> Non-attachment type <input type="checkbox"/> Attachment type		<input type="checkbox"/> Attachment type <input type="checkbox"/> Attachment type			
		<input type="checkbox"/> Key interlock (K2, ON-Lock)	<input type="checkbox"/> ON/OFF Button Lock <input type="checkbox"/> Temperature Alarm						
ACB cradle	Standard accessory	<input type="checkbox"/> Safety shutter lock (STL) <input type="checkbox"/> Zero arc space (ZAS) <sup>Note 2)</sup>							
Separate purchase	Main body mounting	<input type="checkbox"/> Interphase Barrier (IB) <input type="checkbox"/> Slow closing lever (SL)							
		Cradle mounting	• Cell switch (CL)	<input type="checkbox"/> 4c <input type="checkbox"/> 8c					
			• Door interlock (DI)						
			• Mechanical operation contact (MOC)	<input type="checkbox"/> Standard type (10a10b) <input type="checkbox"/> High capacity (10a10b)					
			• Mechanical interlock (MI)	<input type="checkbox"/> Wire type (2 terminals) <input type="checkbox"/> Wire type (3 terminals)					
			• Shortening b-contact (SBC, 4b Max)	<input type="checkbox"/> 1a <input type="checkbox"/> 2a <input type="checkbox"/> 3b		<input type="checkbox"/> 4a			
			• Miss insertion preventive device (MIP)	<input type="checkbox"/> Non-attachment type <input type="checkbox"/> Attachment type					
		• Cradle mounting block (CMB)	<input type="checkbox"/> Safety control cover (SC)						
		• Racking interlock (RI)	<input type="checkbox"/> Interphase Barrier (IB) <sup>Note 2)</sup>						
		External mounting	<input type="checkbox"/> UVT time delay controller (UDC)						
<input type="checkbox"/> AC/DC 100V-130V <input type="checkbox"/> AC/DC 200V-250V <input type="checkbox"/> DC 125V <input type="checkbox"/> DC 48V-60V <input type="checkbox"/> AC 380V-480V <input type="checkbox"/> AC 48V	<input type="checkbox"/> Condenser trip device (CTD) <input type="checkbox"/> OCR tester								
<input type="checkbox"/> Dust cover (DC)	<input type="checkbox"/> Profibus-DP Comm. (PC)		<input type="checkbox"/> Temperature alarm (TM) <input type="checkbox"/> Remote I/O (RCO)						

Note) 1. In case of D type of Metasol (AN), frame size is in the range of 630-1600AF  
 2. The standard accessory for Susol (AH).  
 3. Aux. contact with extended/high capacity type adopts the rapid auto-reclosing method and available up to 6a6b.



## IP SYSTEMES

8 rue du Colonel Chambonnet – BP67

69672 BRON Cedex

Tel. : 04 72 14 18 00

Fax : 04 72 14 18 01

[www.ip-systemes.com](http://www.ip-systemes.com) – [info@ip-systemes.fr](mailto:info@ip-systemes.fr)



### Safety Instructions

- For your safety, please read user's manual thoroughly before operating.
- Contact the nearest authorized service facility for examination, repair, or adjustment.
- Please contact qualified service technician when you need maintenance. Do not disassemble or repair by yourself!
- Any maintenance and inspection shall be performed by the personnel having expertise concerned.



- According to The WEEE Directive, please do not discard the device with your household waste.



[www.ls-electric.com](http://www.ls-electric.com)

### ■ Headquarter

127 LS-ro (Hogye-dong) Dongan-gu, Anyang-si, Gyeonggi-Do, 14119, Korea

### ■ Seoul Office

LS Yongsan Tower, 92, Hangang-daero, Yongsan-gu, Seoul, 04386, Korea  
Tel. 82-2-2034-4916, 4684, 4429

### ■ Overseas Subsidiaries

#### • LS ELECTRIC Japan Co., Ltd. (Tokyo, Japan)

Tel: 81-3-6268-8241 E-Mail: [japan@ls-electric.com](mailto:japan@ls-electric.com)

#### • LS ELECTRIC (Dalian) Co., Ltd. (Dalian, China)

Tel: 86-411-8730-5872 E-Mail: [china.dalian@lselectric.com.cn](mailto:china.dalian@lselectric.com.cn)

#### • LS ELECTRIC (Wuxi) Co., Ltd. (Wuxi, China)

Tel: 86-510-6851-6666 E-Mail: [china.wuxi@lselectric.com.cn](mailto:china.wuxi@lselectric.com.cn)

#### • LS ELECTRIC Vietnam Co., Ltd. (Hanoi, Vietnam)

Tel: 84-222-2221-110 E-Mail: [vietnam@ls-electric.com](mailto:vietnam@ls-electric.com)

#### • LS ELECTRIC Middle East FZE (Dubai, U.A.E.)

Tel: 971-4-886-5360 E-Mail: [middleeast@ls-electric.com](mailto:middleeast@ls-electric.com)

#### • LS ELECTRIC Europe B.V. (Hoofddorp, Netherlands)

Tel: 31-20-654-1424 E-Mail: [europartner@ls-electric.com](mailto:europartner@ls-electric.com)

#### • LS ELECTRIC America Inc. (Chicago, USA)

Tel: 1-800-891-2941 E-Mail: [sales.us@lselectricamerica.com](mailto:sales.us@lselectricamerica.com)

#### • LS ENERGY SOLUTIONS LLC (Charlotte, USA)

Tel: 1-704-587-4051 E-Mail: [cmfeldman@ls-es.com](mailto:cmfeldman@ls-es.com)

#### • LS ELECTRIC Türkiye Co., Ltd. (Istanbul, Türkiye)

Tel: 90-212-806-1252 E-Mail: [turkiye@ls-electric.com](mailto:turkiye@ls-electric.com)

#### • LS ELECTRIC IBERIA S.L.U. (Madrid, Spain)

Tel: 34-910-28-02-74 E-Mail: [iberia@ls-electric.com](mailto:iberia@ls-electric.com)

### ■ Overseas Branches

#### • LS ELECTRIC Tokyo Office (Japan)

Tel: 81-3-6268-8241 E-Mail: [tokyo@ls-electric.com](mailto:tokyo@ls-electric.com)

#### • LS ELECTRIC Beijing Office (China)

Tel: 86-10-5095-1631 E-Mail: [china@lselectric.com.cn](mailto:china@lselectric.com.cn)

#### • LS ELECTRIC Shanghai Office (China)

Tel: 86-21-5237-9977 E-Mail: [china@lselectric.com.cn](mailto:china@lselectric.com.cn)

#### • LS ELECTRIC Guangzhou Office (China)

Tel: 86-20-3818-2883 E-Mail: [china@lselectric.com.cn](mailto:china@lselectric.com.cn)

#### • LS ELECTRIC Chengdu Office (China)

Tel: 86-28-8670-3201 E-Mail: [china@lselectric.com.cn](mailto:china@lselectric.com.cn)

#### • LS ELECTRIC Qingdao Office (China)

Tel: 86-532-8501-2065 E-Mail: [china@lselectric.com.cn](mailto:china@lselectric.com.cn)

#### • LS ELECTRIC Nanjing Office (China)

Tel: 86-25-8467-0005 E-Mail: [china@lselectric.com.cn](mailto:china@lselectric.com.cn)

#### • LS ELECTRIC Bangkok Office (Thailand)

Tel: 66-90-950-9683 E-Mail: [thailand@ls-electric.com](mailto:thailand@ls-electric.com)

#### • LS ELECTRIC Jakarta Office (Indonesia)

Tel: 62-21-2933-7614 E-Mail: [indonesia@ls-electric.com](mailto:indonesia@ls-electric.com)

#### • LS ELECTRIC Moscow Office (Russia)

Tel: 7-499-682-6130 E-Mail: [info@lselectric-ru.com](mailto:info@lselectric-ru.com)

#### • LS ELECTRIC America Western Office (Irvine, USA)

Tel: 1-949-333-3140 E-Mail: [america@ls-electric.com](mailto:america@ls-electric.com)

#### • LS ELECTRIC India Office (India)

Tel: 91-80-6142-9108 E-Mail: [Info\\_india@ls-electric.com](mailto:Info_india@ls-electric.com)

#### • LS ELECTRIC Singapore Office (Singapore)

Tel: 65-6958-8162 E-Mail: [singapore@ls-electric.com](mailto:singapore@ls-electric.com)

#### • LS ELECTRIC Italy Office (Italy)

Tel: 39-030-8081-833 E-Mail: [italia@ls-electric.com](mailto:italia@ls-electric.com)