

# WMP-15C

## Medical AIO Core™ Fanless



### Features

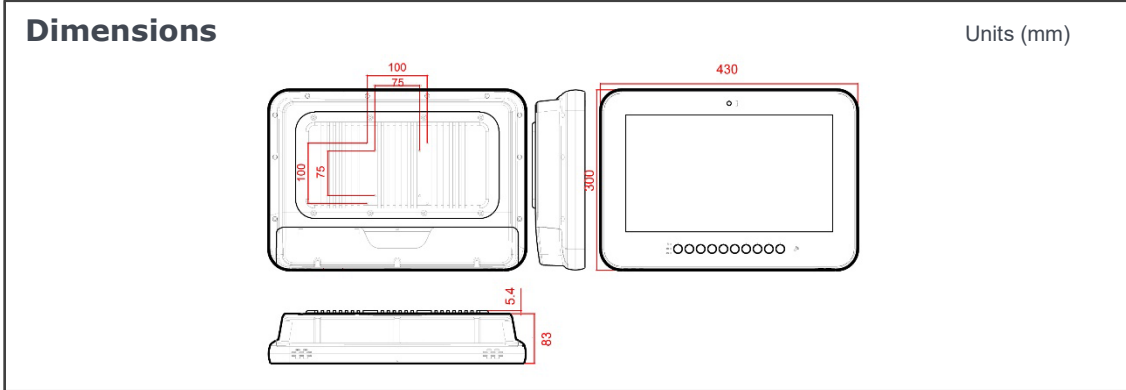
- Intel® 6<sup>th</sup> / 7<sup>th</sup> Core i CPU
- 15.6" 1366x768 LCD panel
- Highest Level EMC 4.0/ Safety 3.1 Certification Ready
- Support Intel® vPro by Optional i7/i5 CPU
- Anti-Bacteria Plastic Housing
- Friendly Design of Front Function Hot-Keys
- Optional Built-In Battery Pack
- Optional PCI-Ex4 Expansion slot
- Support RAID 0,1

### Specification

Model	WMP 15C IP0A (STD)	WMP 15C IP0B (ISO)
<b>Main System</b>		
<b>CPU / Chipset</b>	Intel® 6 <sup>th</sup> & 7 <sup>th</sup> generation Core i7/i5/i3/Celeron processor / SoC	
<b>Graphic</b>	Intel® integrated HD Graphics	
<b>RAM</b>	Two 2400 MHz DDR4 SODIMM socket support dual Channel, non-ECC, up to 32GB	
<b>OS Support</b>	Windows 7 embedded, Windows 7 pro, Windows 8 embedded, Windows 8 industrial, Windows 10 IoT Enterprise LTSC	
<b>Storage</b>	2.5" SATA HDD drive bay x 1 ,mSATA via mini PCI-E x 1, Optional 2.5" SATA HDD up to 1TB	
<b>Expansion</b>	PCI-E (x4) x1, Mini PCIe x1, M.2 Type E x1 Optional Network Interface: 802.11 ac/a/b/g/n WLAN + Bluetooth module	
<b>Display Size</b>	15.6" wide TFT-Color LCD	
<b>Display</b>	1366 x 768 (SXGA), 16.7M colors, 170(H) / 160(V), 400 nits (Typ.), CR:500 : 1 (Typ)	
<b>Touch Screen</b>	Full Flat P-cap Touch Panel / Light Transmission: ≥ 84% / Hardness: 7H pencil, pressure 765g/45° / Life: 50000 times	
<b>I.O. Ports</b>		
<b>USB</b>	USB3.0 x 4	USB3.0 x 2, USB 2.0 x 2, ISO USB2.0 x 1
<b>COM</b>	RS232/422/485 x 1, RS232 x 1	RS-232 x 1, RS232/RS422/RS485 x 1, ISO RS-232 x 1, ISO RS232/RS422/RS485 x 1
<b>LAN</b>	RJ45 x 2	RJ45 x 2, ISO RJ45 x 1
<b>Audio/ Video</b>	3.5mm phone jack connector x 2 (Line-out, Mic-In)/ DP x 2	
<b>Control Hot Key (R to L)</b>	Power Button// Audio adjustment // brightness // LCD on/off // Clean me	
<b>Mechanical and Environmental</b>		
<b>Cooling</b>	Fanless	
<b>Power Input</b>	DC-In x 1, DC 9~32V input (12V~28V with battery pack)	
<b>Power Adapter</b>	AC input 100~240V / 47 ~ 63 Hz / DC output 12V, 100W	
<b>Temperature</b>	Operating Temperature: 0~35°C (chamber) / Storage Temperature: -20~60°C	
<b>Humidity</b>	Operating & Storage: 10 ~ 90%, non-condensing	
<b>IP Rating / Housing</b>	IP65 (Front Side), IPx1 whole system / Front: Full flat design/ Touch (standard)/ Glass( customized); Rear: Plastic White w/Anti-bacteria (MRSA), Housing	
<b>Dimensions (Net)</b>	430mm (H) x 300mm (V) x 88.4mm (T)	
<b>Weights (Net)</b>	5 kg (w/o power adapter/battery pack)	
<b>Mounting</b>	Optional Stand, VESA 75/ 100	
<b>Certification</b>	CE: EN 60601-1-2:2015(V4.0), MDR: MDR 2017/745 VCCI: 2016-11, Class B (PSU with PSE), FCC: Part 18 Class B UL: ANSI/AAMI ES60601-1:2012 (V3.1) cUL: CAN/CSA-C22.2 No. 60601-1:2014 (V3.1) ISO 14971 / IEC62133	

# WMP-15C

## Medical AIO Core™ Fanless



### Major Options

Add On Parts	<ol style="list-style-type: none"> <li>1. 3.2M Webcam(USB)</li> <li>2. TPM 2.0 module</li> <li>3. Wireless or Wireless + BT kit</li> <li>4. RFID (13.56MHz)</li> <li>5. AG Film</li> <li>6. PCI-E [x4] riser card</li> <li>7. Equipotential Terminal Pin</li> <li>8. Full HD Capture Card</li> <li>9. Battery pack (100W max.)</li> <li>10. mSATA module</li> <li>11. 2.5" SSD</li> <li>12. 4KV Isolation Card x 1 (Isolation COM x 2, Isolation LAN x 1, Isolation USB x 1)</li> <li>13. Movidius Card for Vision Accelerator (Core X)</li> </ol>
Power Cable	<ol style="list-style-type: none"> <li>1. Power adapter w/ 2m extension cable</li> <li>2. Power plug holder</li> <li>3. Microphone on I/O cover</li> </ol>
Optional kits	<ol style="list-style-type: none"> <li>1. Anti-bacteria Stand</li> <li>2. VESA Wall Mount</li> </ol>
Customization	<ol style="list-style-type: none"> <li>1. Temper Glass</li> <li>2. Extra USB x 2 or COM x 2,</li> </ol>

### Order Information

Item	Configuration
WMP-15C – IP0A	Core i5-7200U 2.5GHz / 4G RAM / 500G HDD / Full flat P-cap touch / STD

### STD IO Parts

