

eBOX800-511-FL

Rugged IP67-rated Fanless Embedded System with Intel® Core™ i5-7300U & Celeron® 3965U, VGA, GbE LAN, 2 USB, 2 COM and 9 to 36 VDC

Features

- IP67-rating for outdoor use
- Intel® Core™ i5-7300U & Celeron® 3965U onboard
- 4 N-jack antenna openings with water proof design
- 9 to 36 VDC wide range power input
- -30°C to +60°C operating temperature range
- Features M12 lockable I/Os
- Trusted Platform Module 1.2 (TPM 1.2)



Specifications

Standard Color	Black
Construction	Aluminum die-casting and heavy-duty steel, IP67
CPU	Intel® Core™ i5-7300U/Celeron® 3965U onboard
System Memory	1 x 260-pin DDR4-2133 SO-DIMM, up to 16GB
Chipset	SoC integrated
BIOS	AMI
System I/O Outlet	2 x RS-232/422/485 (M12) 1 x 10/100/1000 Mbps Ethernet (Intel® i219-LM, M12) 2 x USB 2.0 (M12) 1 x VGA (M12) 1 x 9 to 36VDC power input (M12) 1 x ATX power switch w/indicator 4 x N-jack antenna opening with water proof design
Watchdog Timer	255 levels, 1 to 255 sec.
Storage	1 x 2.5" HDD drive bay (max. up 9.5 mm height) 1 x mSATA (enabled in BIOS setting)
Expansion Interface	1 x Full-size PCI Express Mini Card slot (USB + PCIe signal) 1 x Half-size PCI Express Mini Card slot (USB + PCIe signal)
TPM	TPM 1.2
System Indicator	1 x Green LED for system power-on
Power Input	9 to 36 VDC
Operating Temperature	-30°C to +60°C (-22°F to +140°F) (with i5-7300U, W.T. SSD/DRAM)
Humidity	10% - 95% , non-condensing
Vibration Endurance	3 Grms with SSD (5 to 500Hz, X, Y, Z directions)
Dimensions	210 mm (8.27") x 366.83 mm (14.44") x 83.8 mm (3.27")
Weight (net/gross)	4.31 kg (9.5 lb)/5.1 kg (11.24 lb)
Certifications	CE, FCC Class A
EOS Support	Win 10 IoT & Linux
Software Support	AMS.AXView

* W.T.: Wide Temperature. All W.T. supported products have to be sorted by Axiomtek.

Packing List

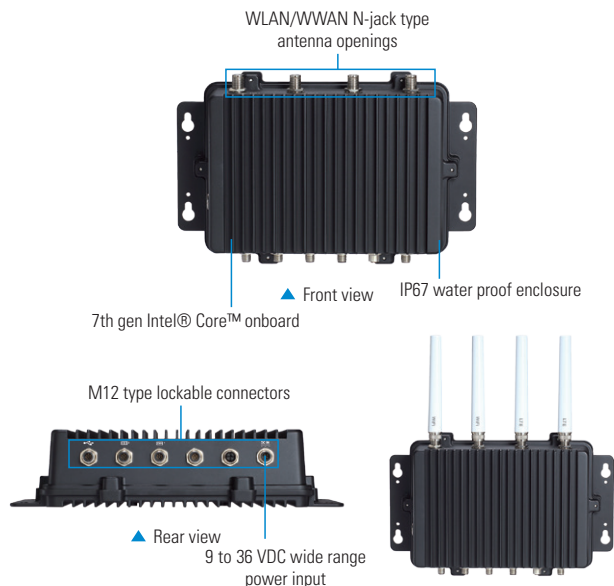
- 1 x Water-proof PWR cable (180 cm)
- 1 x Water-proof VGA cable (180 cm)
- 1 x Water-proof USB 2.0 cable (180 cm)

Power Protection

DC Version

- OVP (over voltage protection)
- OCV (over current protection)
- SCP (short circuit protection)

Updated Oct. 15, 2021.



Ordering Information

Standard

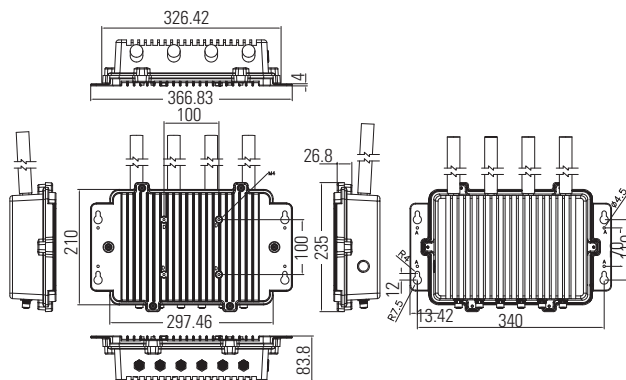
eBOX800-511-FL-DC-7300U (P/N: E36K800102)	Rugged IP67-rated Fanless Embedded System with Intel® Core™ i5-7300U, VGA, GbE LAN, 2 USB, 2 COM and 9 to 36 VDC
eBOX800-511-FL-DC-3965U (P/N: E36K800103)	Rugged IP67-rated Fanless Embedded System with Intel® Celeron® 3965U, VGA, GbE LAN, 2 USB, 2 COM and 9 to 36 VDC

Optional

2.5" SATA HDD (W.T.)	80GB or above
2.5" SATA SSD (W.T.)	100GB or above
DDR4 SO-DIMM (W.T.)	2GB to 16GB 3G/LTE module
594B8122100E	RS-232 serial cable, 180 cm
594B8152710E	LAN cable, 180 cm
50966224010E	24V 90W M12 power adapter

* Specifications and certifications may vary based on different requirements.

Dimensions



IP SYSTEMES

8 rue du Colonel Chambonnet – BP67

69672 BRON Cedex

Tel. : 04 72 14 18 00

Fax : 04 72 14 18 01

www.ip-systemes.com – info@ip-systemes.fr