



Micro Drive M100

The Best Way to Save Money and Time

- Built-in C2 EMC Filter
- User-Friendly Design
 - DIN rail mountable
 - Side-by-side installation
 - Easy connection with RJ45 port
 - Modbus / Smart copier / Remote keypad / Driveview9
- New UL 61800-5-1 Design
 - Enhanced isolation circuit
- Built-in DB Unit : $\geq 1.5\text{kW}$
- Modbus in Advanced I/O Type



Built-in EMC Filter (C2 class)



Side-by-side Installation
(2mm between drives)



DIN rail Mountable

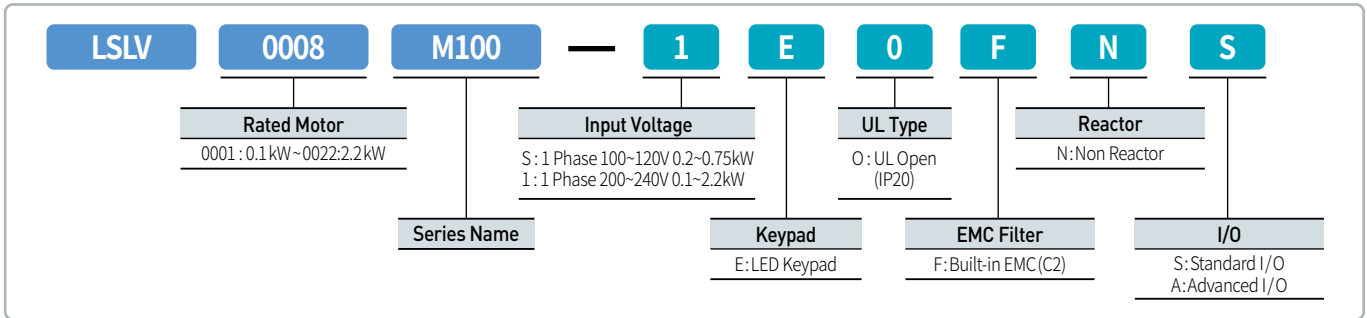


Smart Copier
(Parameter copy without power)



1 Phase 100~120V 0.2~0.75kW
1 Phase 200~240V 0.1~2.2kW





Specification

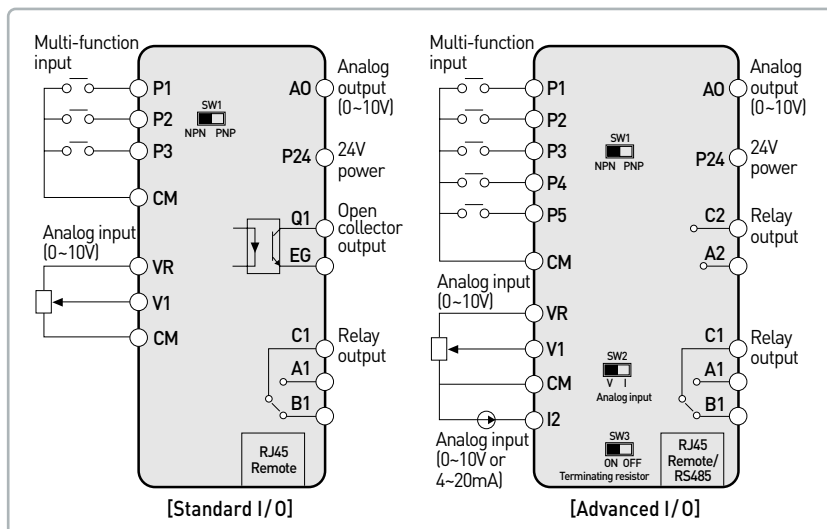
| Division | | 1 Phase 100~120V | | | 1 Phase 200~240V | | | | | | |
|---------------|----------------------|------------------|-----------------------------------|------|------------------|-----------------------------------|------|--------------------|------|------|------|
| Division | | 0002 | 0004 | 0008 | 0001 | 0002 | 0004 | 0008 | 0015 | 0022 | |
| Applied Motor | Heavy Duty | HP | 0.25 | 0.5 | 1.0 | 0.125 | 0.25 | 0.5 | 1.0 | 2.0 | 3.0 |
| | | kW | 0.2 | 0.4 | 0.75 | 0.1 | 0.2 | 0.4 | 0.75 | 1.5 | 2.2 |
| Rated Output | Rated Capacity (KVA) | | 0.6 | 0.95 | 1.9 | 0.3 | 0.6 | 0.95 | 1.9 | 3.0 | 4.5 |
| | Rated Current (A) | | 1.4 | 2.4 | 4.2 | 0.8 | 1.4 | 2.4 | 4.2 | 7.5 | 10.0 |
| | Frequency (Hz) | | 0~400Hz | | | 0~400Hz | | | | | |
| | Voltage (V) | | 3 phase 200~240V | | | 3 phase 200~240V | | | | | |
| Rated Input | Rated Current (A) | | 3.7 | 7.4 | 13.9 | 1.0 | 1.8 | 3.7 | 7.1 | 13.6 | 18.7 |
| | Frequency (Hz) | | 50~60Hz (±5%) | | | 50~60Hz (±5%) | | | | | |
| | Voltage (V) | | 1 phase 100-120Vac (-15% to +10%) | | | 1 phase 200-240Vac (-15% to +10%) | | | | | |
| Cooling Type | | Natural cooling | | | Natural cooling | | | Forced fan cooling | | | |
| Weight (Kg) | | 1 | | 1.36 | 0.66 | | 1 | | 1.45 | | |

Environment

| | |
|-------------------------|---|
| Ambient Temperature*1) | -10~50°C (14~122°F), Ambient temperature under the condition of no ice or frost |
| Ambient Humidity | Relative humidity less than 95% RH (to avoid condensation forming) |
| Storage Temperature | -20~65°C (-4~149°F) |
| Surrounding Environment | Environment Level: 3C3(IEC60721-3-3) classifications (for SO2, H2S, CL, NO2) No corrosive gas, flammable gas, oil mist and dust etc., indoors |
| Altitude/Oscillation | Below 1,000m, below 9.8m/sec2 (1G) |
| Pressure | 70~106kPa |

*1) 0.1~0.2kW products can be operated at a maximum of 50°C. However, the lifespan of the product maybe reduced when operating continuously with a full load when the ambient temperature exceeds 40°C

I/O Configuration



Dimension

| | W | H1 | H | D |
|-------------------------|------------|------------|------------|------------|
| 1 Phase 100~120V | | | | |
| 0002M100-S | 85 (3.34) | 163 (6.42) | 153 (6.02) | 123 (4.84) |
| 0004M100-S | | | | |
| 0008M100-S | 100 (3.94) | 190 (7.48) | 180 (7.08) | 140 (5.51) |
| 1 Phase 200~240V | | | | |
| 0001M100-1 | 85 (3.34) | 145 (5.70) | 135 (5.31) | 100 (3.93) |
| 0002M100-1 | | | | |
| 0004M100-1 | 85 (3.34) | 163 (6.42) | 153 (6.02) | 123 (4.84) |
| 0008M100-1 | | | | |
| 0015M100-1 | 100 (3.94) | 190 (7.48) | 180 (7.08) | 140 (5.51) |
| 0022M100-1 | | | | |

■ Seoul Office

LS Yongsan Tower, 92, Hangang-daero, Yongsan-gu, Seoul, 04386, Korea
 Tel: 82-2-2034-4644(Europe), 4982(USA), 4884(East Asia)
 Fax: 82-2-2034-4588 E-mail: drivesales@ls-electric.com



According to The WEEE Directive, please do not discard the device with your household waste.