

M133KML(HB)

13.3" Military Ultra Rugged Tablet with Intel® Core™ i5



KEY FEATURES

- Intel® 7th Gen. Core™ i5-7200U, 2.5 GHz (turbo up to 3.1 GHz)
- 13.3" 1920 x 1080 Resolution Transflective TFT-LCD Panel
- With daylight-readable screen 500 nits and optical bonding for clarity increasing and readability enhancing
- Optional high brightness 800 nits, 13.3inch Military Ultra Rugged Tablet
- Adjustable Kickstand that is Convertible to a handle (Optional)
- With IP65 dust and water-resistant certification
- Magnesium Alloy Housing with All-Around Elastomeric Rubber
- MIL-STD-38999 connector for LAN/ USB2.0 and Power/ RS232 Input
- Fully Sealed and Fanless Thermal Design
- MIL-STD-810G Compliant



SPECIFICATIONS

Display			
Touch / Glass	Projected Capacitive Multi Touch Screen	Resolution	1920x1080
Size	13.3 inches	Contrast Ratio	1000:1
Panel Brightness	500 nits 800 nits(Optional)	View Angles	89,89,89,89
System Specification			
Processor	Intel® Core™ i5-7200U Kaby Lake, 2.5 GHz (Turbo up to 3.10 GHz)	Memory	4GB SODIMM DDR4-2400 8GB SODIMM DDR4-2400 (Optional) 16GB SODIMM DDR4-2400 (Optional)
Storage	Storage 1: 1 x 128GB M.2 SSD Storage 1: ignore (Optional) 128GB M.2 SSD (Optional) 256GB M.2 SSD (Optional) 512GB M.2 SSD Storage 2: ignore (Optional) 128GB M.2 SSD (Optional) 256GB M.2 SSD (Optional) 512GB M.2 SSD (Optional)	Ethernet controller	1 x RJ45-10/100/1000 Mbps LAN
Security	Trusted Platform Module (TPM) 2.0 Computrace theft protection agent	Operating System	Windows 10 IoT Enterprise 64 bit
WLAN	802.11 a/b/g/n/ac	BT	BT Support
WWAN	4G/ LTE or 3G (Optional)	GNSS	GPS, GLONASS
Camera			
Front Camera	2MP Front Camera	Rear Camera	5MP Rear Camera with auto-focus and LED light
Mechanical			
Dimension	338.2 x 239.8 x 47.2 mm	Weight	2.4 Kg (Without Kickstand), 2.8 Kg (With Kickstand)
Enclosure	Rear Magnesium Alloy Die-Casting Design	Cooling System	Fanless Design

IO Ports			
USB Port	2 x USB 3.0, 1 x USB 2.0(MIL-STD-38999 connector),1 x USB 3.1(Type C)	Serial Port	1 x RS-232 Serial COM Port(MIL-STD-38999 connector)
SD Card Slot	1 x Micro SD Slot	Video	1 x HDMI (Optional)
Audio	Microphone: 1 x built-in Digital Mic with Noise Cancellation Speaker: 2 x 1 watt speaker	LAN	1 x RJ45-10/100/1000 Mbps LAN(MIL-STD-38999 connector)
Indicator	4x LED Indicator for Power, Battery, SSD, RF status		

Environment			
Operating Humidity	30% to 80% RH, non-condensing	Operating Temperature	-10°C to 50°C (14°F to 122°F)
Storage Temperature	-20°C to 60°C (-4°F to 140°F)	Shock	MIL-STD-810G Method 516.6 Procedure I
Vibration	MIL-STD-810G Method 514.6 Procedure I	IP rating	IP65
Drop	MIL-STD-810G Method 516.6, 4 ft to concrete	ESD	ESD (Contact/Air) : 12kV/12kV

Certification	
Certification	CE, FCC, IC, UL

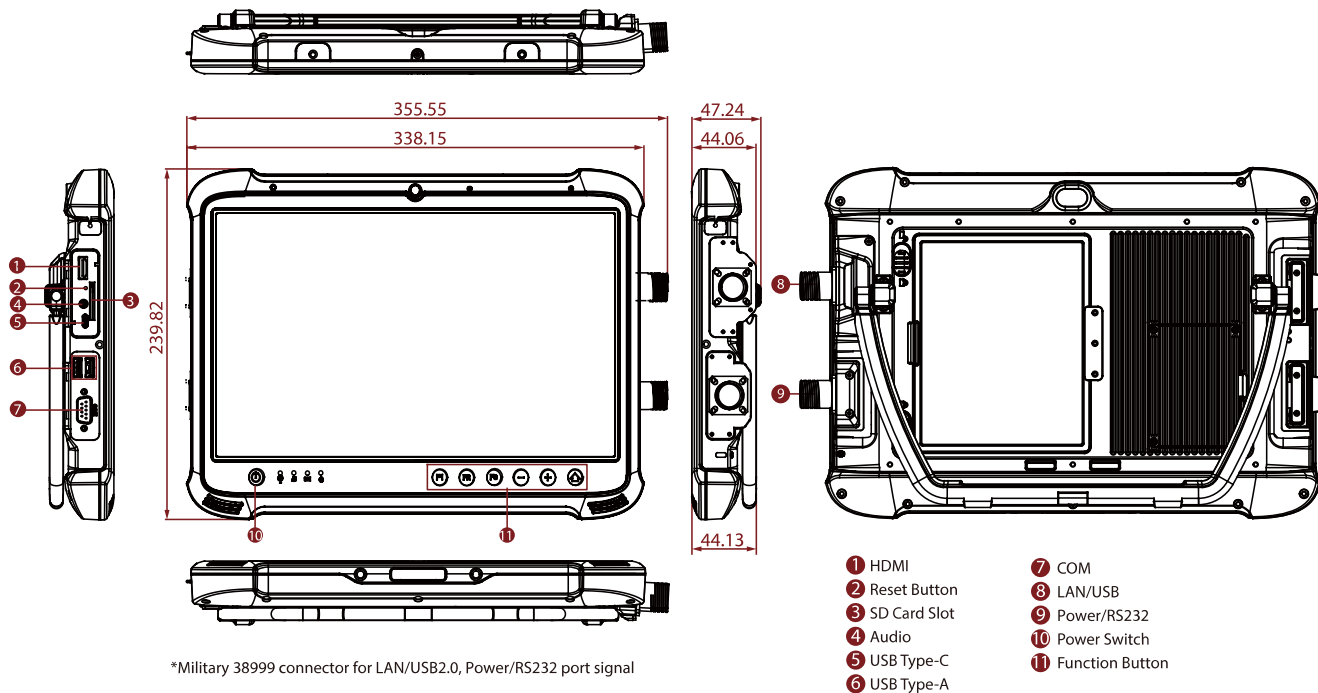
Security Function			
SOTI MobiControl	SOTI MobiControl Compliance	Kensington Lock	Kensington Lock Support

Control	
Button	1 x Power,1 x menu,2 x volume key 3 x Programmable Function Keys

Power			
Battery	7.4V, typ. 10280 mAh Li-Polymer Battery (2S2P) Hot-Swap (Optional)	Battery Operating Time	11 Hours
Power Rating	24V DC(MIL-DTL-38999/1 connector)	Adapter	100-240V, 50-60Hz / 24V DC

Accessory			
Accessory	Adapter and PowerCord Standard Battery Stylus Stand with Integrated Handle Power/RS232 External Cable LAN/USB2.0 External Cable	Optional Accessory	Shoulder Strap (Optional) Battery Charger (Optional) Active Pen (Optional)

DIMENSIONS UNIT:MM



NOTE

1. Total usable memory will be less dependent upon actual system configuration.
2. The USB Type-C connector follows USB3.0, standard, which does not support Alternate Mode (ALT) or USB Power Delivery (USB-PD).
3. TPM 2.0 available upon request.
4. Computrace theft protection and SOTI are available upon request.
5. Length measurements do not include protrusions. Weight varies with options.
6. Accessories and integrated options may vary depending on your configuration.
7. This is a simplified drawing and some components are not marked in detail.
8. The product shown in this datasheet is a standard model. For diagrams that contain customized or optional I/O, please contact the Winmate Sales Team for more information.
9. Default uses the silver military connector with RoHs, optional green military connector without RoHs.



IP SYSTEMES
 8 rue du Colonel Chambonnet – BP67
 69672 BRON Cedex
 Tel. : 04 72 14 18 00
 Fax : 04 72 14 18 01
www.ip-systemes.com – info@ip-systemes.fr