

# M700DM9

## 7 inch ARM A73 + A53 Rugged android tablet



### KEY FEATURES

- 7 inch android tablet, 1280 x 720 TFT Panel with direct optical bonding
- IP65 waterproof and dustproof
- 4 GB RAM + 32 GB eMMC
- Rated for extreme temperature use
- Supports Android 11.0 OS, Sunlight readable android tablet

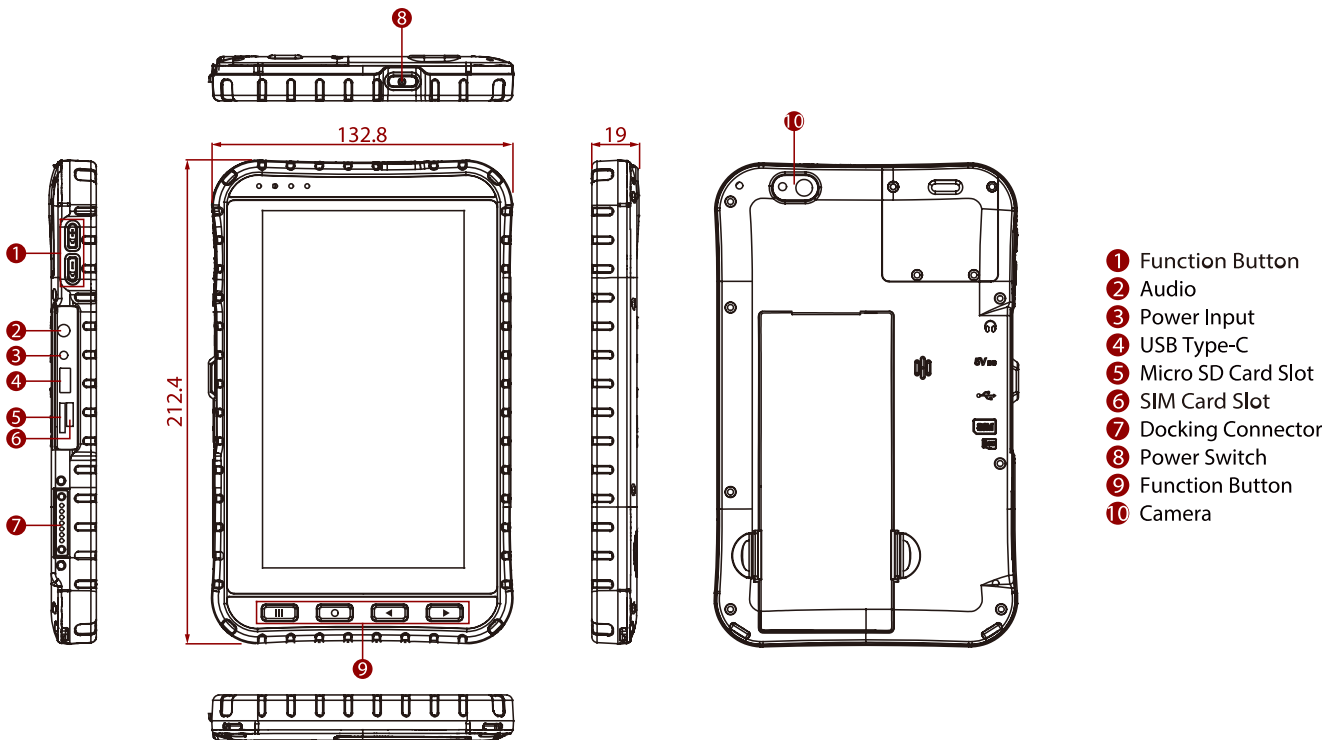


### SPECIFICATIONS

Display			
Resolution	1280x720	Size	7 inches
Contrast Ratio	800:1	Panel Brightness	650 nits
View Angles	80,80,80,80	Type	Projected Capacitive Multi Touch
Touch Mode	Support Hand / Gloves and Rain Mode	Bonding	Optical Bonding for Sunlight Viewability
System Specification			
Processor	ARM A73 x 4 (2.0 GHz) + A53 x 4 (2.0 GHz)	Memory	4GB
Storage	64GB	Operating System	Android 11.0
WLAN	Support	BT	Support
WWAN	4G/LTE (Optional)	GNSS	GPS/GLONASS
RFID	NFC (Read / Write, Peer to Peer mode) (Optional)	Sensors	Ambient Light Sensor, E-Compass, Gyro, Acceleration Sensors
Camera			
Front Camera	8MP Camera	Rear Camera	13MP Camera with LED Auxiliary Light (Auto Focus)
Mechanical			
Dimension	212.4 x 132.8 x 19 mm	Weight	550g
IO Ports			
USB Port	1 x USB Type C OTG	SD Card Slot	1 x Micro SD Card Slot
SIM Card Slot	1 x Micro SIM Card Slot	Audio	1 x Audio Combo connector (Mic in and Line Out) 2 x Built-in Mic 1 x Speaker 1 x Earphone
Indicator	2 x LED Indicators (Power, Battery)	Docking Connector	1 x Docking Connector
Environment			
Operating Humidity	5% to 95% RH, Non-Condensing	Operating Temperature	-10°C to 50°C (Battery mode) -20°C to 60°C (Charging mode)
Storage Temperature	-30°C to 70°C	Shock	MIL-STD-810G Method 516.6 Procedure I
Vibration	MIL-STD-810G Method 514.6 Procedure I	IP rating	IP65, Compliance IEC60592
Drop	MIL-STD-810G Method 516.6, 5 ft		

Certification	
Certification	CE, FCC
Control	
Button	1 x Volume + , 1 x Volume - , 1 x Power Button, 1 x Home Button, 1 x Menu Button, 1 x Return Button, 1 x Trigger Button
Power	
Battery	3.7V 5300mAh
Battery Operating Time	20Hr
Power Rating	DC 5V
Adapter	Input: 100V-240V AC Output: DC 5V 3A
Security Function	
SOTI MobiControl	SOTI MobiControl Compliance
Accessory	
Accessory	Universal Adapter x1 Battery x1
Optional Accessory	USB Type-C Cable x1 Battery Charging Dock Vehicle Dock (Charging + Connectors) Vehicle Dock (Charging Only) Desk Dock Hand Strap Micro SD Card Capacitive Touch Stylus Vehicle Adapter HDMI Adapter
Barcode Scanner	
Barcode Scanner	1D/2D Barcode Reader (Optional)

## DIMENSIONS UNIT:MM



**IP SYSTEMES**  
 8 rue du Colonel Chambonnet – BP67  
 69672 BRON Cedex  
 Tel. : 04 72 14 18 00  
 Fax : 04 72 14 18 01  
[www.ip-systemes.com](http://www.ip-systemes.com) – [info@ip-systemes.fr](mailto:info@ip-systemes.fr)