

# Panel PC Android IPS-PPC-R019SAC



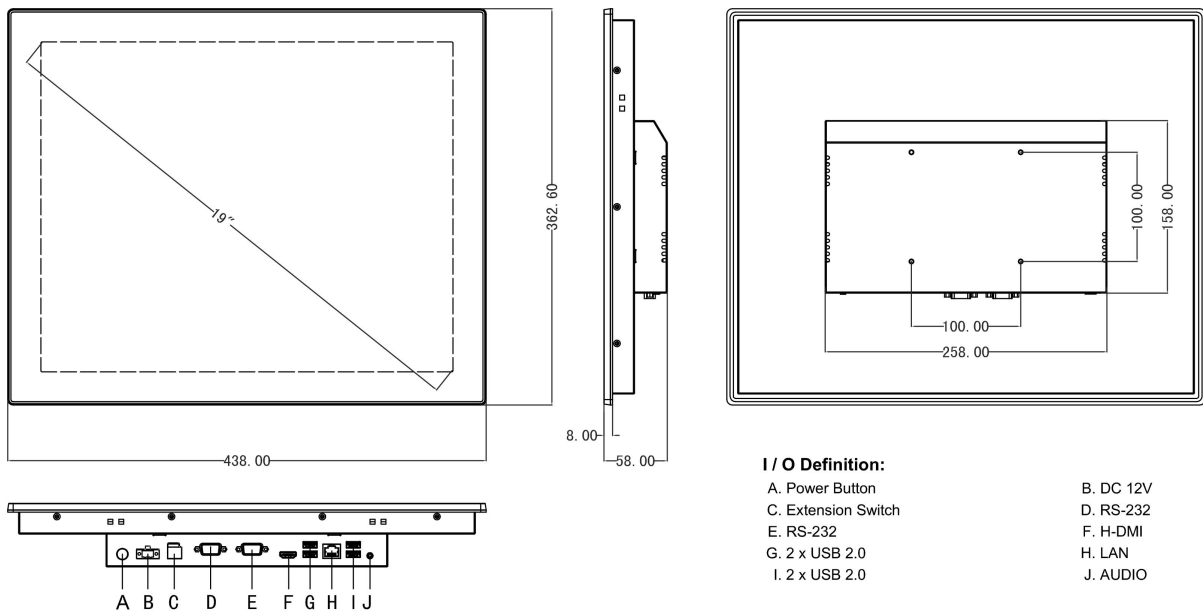
## FEATURES

- 19" TFT LED with PCAP Touch
- ARM RK3288 Cortex-A17 1.8 GHz
- Multi ports for option: VGA/HDMI/LAN/USB /COM
- DC12V Input, (+9V~36V) wide voltage input optional
- -10°C ~ 60°C extended operating temperature
- IP65 Compliant Front Panel

## SPECIFICATIONS

System		Touch screen	
CPU	ARM RK3288 Cortex-A17 1.8 GHz	Touch Screen Type	Multi-Touch PCAP
Memory	2G DDR3	Transmittance	>90%
Storage	EMMC 8G ( 16G Optional )	Response Time	<5ms
GPU	ARM Mali-T764	Surface Hardness	≥7H
Lan	RTL 8211E 1000 Lan	Supply Voltage	5.0V DC
Audio	RTL ALC662	Touch Life	≥ 3000W
Operation System	Android 5.1 / 7. 1 /9.0 / Ubuntu 12.04	Instituional	
I / O		Material	High-strength Al-alloy, support IP65
H-DMI	1 x H-DMI	VESA Mounting	VESA: 100 x 100 mm
LAN	1 x LAN	Waterproof Rate	IP65
USB	4 x USB 2.0	Product Dimension	438 x 362 x 58 mm
COM	2 x RS232	Cut-out Size	420 x 345 mm
Audio	1 x AUDIO	Packing Size	500 x 180 x 450 mm
Wireless Network	4G / WiFi / Bluetooth ( Optional )	Gross Weight	8 KG
LCD Panel		Power and Environment	
Panel Size	19" LED	Operating Temperature	-10~60°C
Resolution	1280 x 1024	Storage Temperature	-20~80°C(-22~176°F)
Aspect Ratio	5:4	Relative Humidity	5%~95%@40°C, non-condensing
Display Brightness	450 cd/m2	Vibration Range	5-500 Hz, 0.026 G2/Hz, 2.16 Grms, X, Y, Z, 1 hour per axis
Contrast Ratio	1000:1	External Power Supply	AC 100 - 240V~50/60Hz,1.5A
Backlight Lifetime	50000 Hr (min.)	Working Voltage	DC 12V / optional(+9V~36V)
Viewing Angle	85 / 85 / 80 / 80 (CR≥10) ( L / R / U / D )	Power Consumption	≤25W

## Dimension & I/O



Panel Cutout Dimensions: 420 x 345 mm (16.54 x 13.58 in )

## ORDERING INFORMATION

### PACKING LIST

- 1xPPC-R019SAC Series Industrial Panel PC
- 1x Utility DVD Driver
- 8x Embedded Buckles
- 1x Power Adaptor

## AVAILABLE MODELS

Display Size	Resolution	Format	Brightness(cd/m <sup>2</sup> )	Viewing Angle	LCD Color	Backlight MTBF
10.1"	1280 x 800	16:10	400 cd/m <sup>2</sup>	85/85/85/85	262K/16.2M	30000 Hr (min.)
10.4"	800x600/1024x768	4:3	350 cd/m <sup>2</sup>	80/80/65/75	262K/16.2M	30000 Hr (min.)
12.1"	800x600/1024x768	4:3	400 cd/m <sup>2</sup>	80/80/65/75	262K/16.7M	30000 Hr (min.)
12.1"	1280x800	16:10	450cd/m <sup>2</sup>	80/80/80/60	262K/16.7M	50000 Hr (min.)
13.3"	1920x1080	16:9	400cd/m <sup>2</sup>	85/85/85/85	262K/16.7M	50000 Hr (min.)
15"	1024x768	4:3	350cd/m <sup>2</sup>	89/89/89/89	262K/16.2M	50000 Hr (min.)
15.6"	1920x1080	16:9	600cd/m <sup>2</sup>	80/80/80/65	262K/16.2M	50000 Hr (min.)
17"	1280x1024	5:4	400cd/m <sup>2</sup>	88/88/88/88	262K/16.7M	50000 Hr (min.)
17.3"	1920x1080	16:9	400cd/m <sup>2</sup>	80/80/60/80	262K/16.7M	50000 Hr (min.)
19"	1280x1024	5:4	450cd/m <sup>2</sup>	85/85/80/80	262K/16.7M	50000 Hr (min.)
21.5"	1920x1080	16:9	250cd/m <sup>2</sup>	89/89/89/89	262K/16.7M	50000 Hr (min.)
24"	1920x1080	16:9	250cd/m <sup>2</sup>	89/89/89/89	262K/16.7M	50000 Hr (min.)



**IP SYSTEMES**  
 8 rue du Colonel Chambonnet – BP67  
 69672 BRON Cedex  
 Tel. : 04 72 14 18 00  
 Fax : 04 72 14 18 01  
[www.ip-systemes.com](http://www.ip-systemes.com) – [info@ip-systemes.fr](mailto:info@ip-systemes.fr)

