

Panel PC Android IPS-PPC-R024WAC

FEATURES

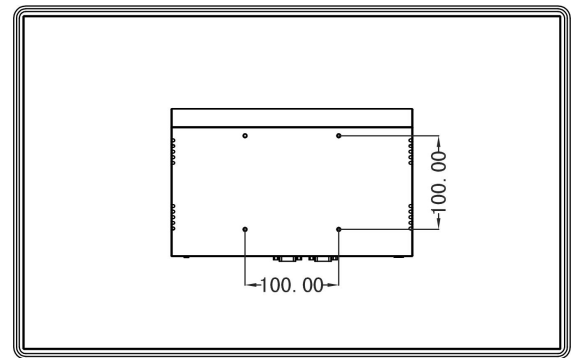
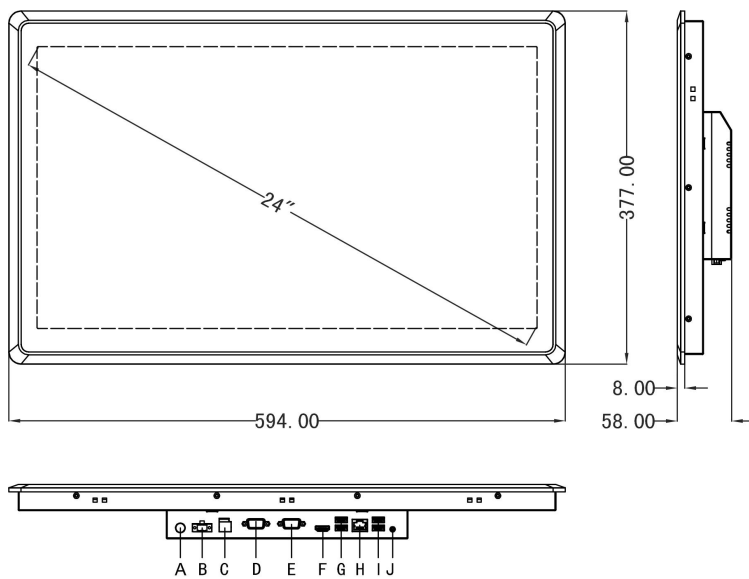
- 24" TFT LED with PCAP Touch
- ARM RK3288 Cortex-A17 1.8 GHz
- Multi ports for option: VGA/HDMI/LAN/USB /COM
- DC12V Input, (+9V~36V) wide voltage input optional
- -10°C ~ 60°C extended operating temperature
- IP65 Compliant Front Panel



SPECIFICATIONS

System		Touch screen	
CPU	ARM RK3288 Cortex-A17 1.8 GHz	Touch Screen Type	Multi-Touch PCAP
Memory	2G DDR3	Transmittance	>90%
Storage	EMMC 8G (16G Optional)	Response Time	<5ms
GPU	ARM Mali-T764	Surface Hardness	≥7H
Lan	RTL 8211E 1000 Lan	Supply Voltage	5.0V DC
Audio	RTL ALC662	Touch Life	≥ 3000W
Operation System	Android 5.1 / 7. 1 /9.0 / Ubuntu 12.04	Instituional	
I / O		Material	High-strength Al-alloy, support IP65
H-DMI	1 x H-DMI	VESA Mounting	VESA: 100 x 100 mm
LAN	1 x LAN	Waterproof Rate	IP65
USB	4 x USB 2.0	Product Dimension	594 x 377 x 58 mm
COM	2 x RS232	Cut-out Size	577 x 359 mm
Audio	1 x AUDIO	Packing Size	730 x 200 x 530 mm
Wireless Network	4G / WiFi / Bluetooth (Optional)	Gross Weight	16 KG
LCD Panel		Power and Environment	
Panel Size	24" FHD Led	Operating Temperature	-10~60°C
Resolution	1920 x 1080	Storage Temperature	-20~80°C(-22~176°F)
Aspect Ratio	16:9	Relative Humidity	5%~95%@40°C, non-condensing
Display Brightness	250 cd/m2	Vibration Range	5-500 Hz, 0.026 G2/Hz, 2.16 Grms, X, Y, Z, 1 hour per axis
Contrast Ratio	3000:1	External Power Supply	AC 100 - 240V~50/60Hz,1.5A
Backlight Lifetime	50000 Hr (min.)	Working Voltage	DC 12V / optional(+9V~36V)
Viewing Angle	85 / 85 / 80 / 80 (CR≥10) (L / R / U / D)	Power Consumption	≤20W

Dimension & I/O



I / O Definition:

- | | |
|---------------------|-----------|
| A. Power Button | B. DC 12V |
| C. Extension Switch | D. RS-232 |
| E. RS-232 | F. H-DMI |
| G. 2 x USB 2.0 | H. LAN |
| I. 2 x USB 2.0 | J. AUDIO |

Panel Cutout Dimensions: 577 x 359 mm (22.71 x 14.13 in)

ORDERING INFORMATION

PACKING LIST

- 1xPPC-R024WAC Series Industrial Panel PC
- 1x Utility DVD Driver
- 8x Embedded Buckles
- 1x Power Adaptor

AVAILABLE MODELS

Display Size	Resolution	Format	Brightness(cd/m ²)	Viewing Angle	LCD Color	Backlight MTBF
10.1"	1280 x 800	16:10	400 cd/m ²	85/85/85/85	262K/16.2M	30000 Hr (min.)
10.4"	800x600/1024x768	4:3	350 cd/m ²	80/80/65/75	262K/16.2M	30000 Hr (min.)
12.1"	800x600/1024x768	4:3	400 cd/m ²	80/80/65/75	262K/16.7M	30000 Hr (min.)
12.1"	1280x800	16:10	450cd/m ²	80/80/80/60	262K/16.7M	50000 Hr (min.)
13.3"	1920x1080	16:9	400cd/m ²	85/85/85/85	262K/16.7M	50000 Hr (min.)
15"	1024x768	4:3	350cd/m ²	89/89/89/89	262K/16.2M	50000 Hr (min.)
15.6"	1920x1080	16:9	600cd/m ²	80/80/80/65	262K/16.2M	50000 Hr (min.)
17"	1280x1024	5:4	400cd/m ²	88/88/88/88	262K/16.7M	50000 Hr (min.)
17.3"	1920x1080	16:9	400cd/m ²	80/80/60/80	262K/16.7M	50000 Hr (min.)
19"	1280x1024	5:4	450cd/m ²	85/85/80/80	262K/16.7M	50000 Hr (min.)
21.5"	1920x1080	16:9	250cd/m ²	89/89/89/89	262K/16.7M	50000 Hr (min.)
24"	1920x1080	16:9	250cd/m ²	89/89/89/89	262K/16.7M	50000 Hr (min.)



IP SYSTEMES
 8 rue du Colonel Chambonnet – BP67
 69672 BRON Cedex
 Tel. : 04 72 14 18 00
 Fax : 04 72 14 18 01
www.ip-systemes.com – info@ip-systemes.fr

