

 **TELTONIKA** | Networks

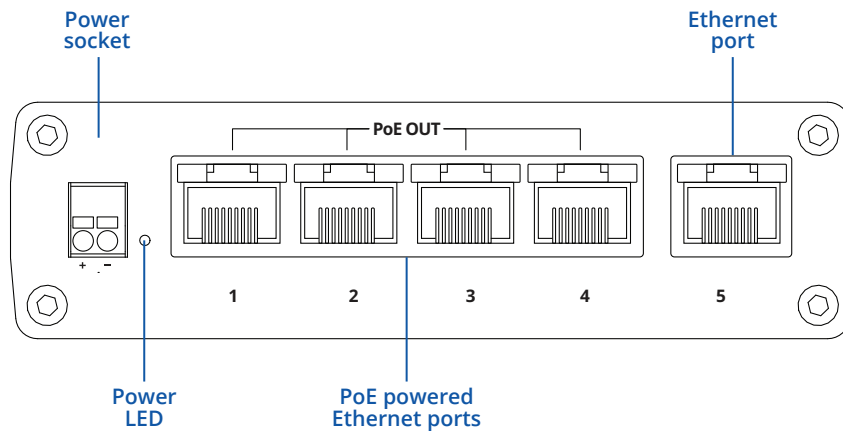
TSW101



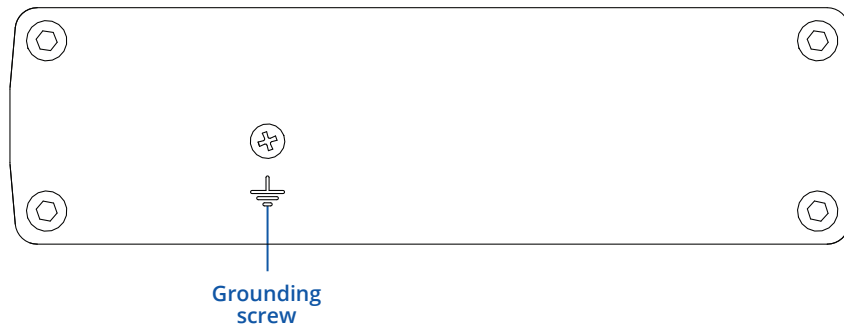
IP SYSTEMES
8 rue du Colonel Chambonnet – BP67
69672 BRON Cedex
Tel. : 04 72 14 18 00
Fax : 04 72 14 18 01
www.ip-systemes.com – info@ip-systemes.fr

HARDWARE

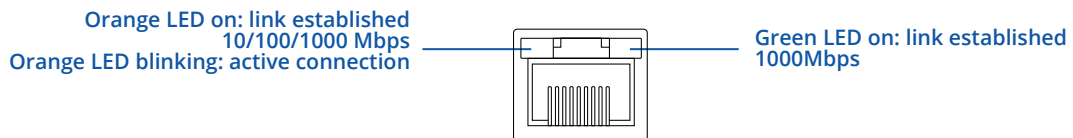
FRONT VIEW



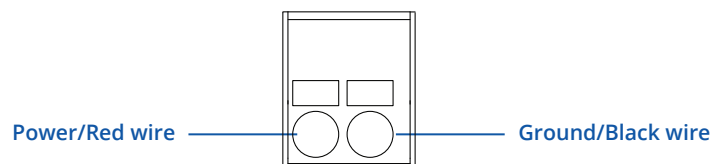
BACK VIEW



RJ45 LED MEANING



POWER SOCKET PINOUT



FEATURES

ETHERNET

LAN	5 x RJ45 ports, 10/100/1000 Mbps, compliance with IEEE 802.3, IEEE 802.3u, 802.3az standards, supports auto MDI/MDIX crossover
-----	--

PoE OUT

PoE ports	Port 1 - 4
PoE standards	802.3af and 802.3at
PoE Max Power per Port (at PSE)	30 W
Total PoE Power Budget (at PSE)	60 W
Maximum Ethernet cable length	100 m

PERFORMANCE SPECIFICATIONS

Bandwidth (Non-blocking)	10 Gbps
Packet buffer	128 KB
MAC address table size	2K entries
Jumbo frame support	9216 bytes

POWER

Connector	2-pin industrial DC power socket
Input voltage range	9 - 30 VDC
Input voltage range for PoE	9 - 30 VDC
Power consumption	Idle: 0.8 W / Max: 2.2 W / PoE Max: 106 W

PHYSICAL INTERFACES (PORTS, LEDS, ANTENNAS, BUTTONS, SIM)

Ethernet	5 x RJ45 ports, 10/100/1000 Mbps
Status LEDs	1 x Power LED, 10 x ETHERNET status LED's
Power	1 x 2-pin industrial DC power socket
Grounding	1 x Grounding screw

PHYSICAL SPECIFICATION

Casing material	Aluminum housing
Dimensions (W x H x D)	115 x 32 x 95 mm
Weight	354 g
Mounting options	DIN rail or wall mounting (additional kit needed), flat surface placement

OPERATING ENVIRONMENT

Operating temperature	-40 °C to +75 °C
Operating humidity	10 % to 90 % non-condensing
Ingress Protection Rating	IP30

CERTIFICATION & APPROVALS

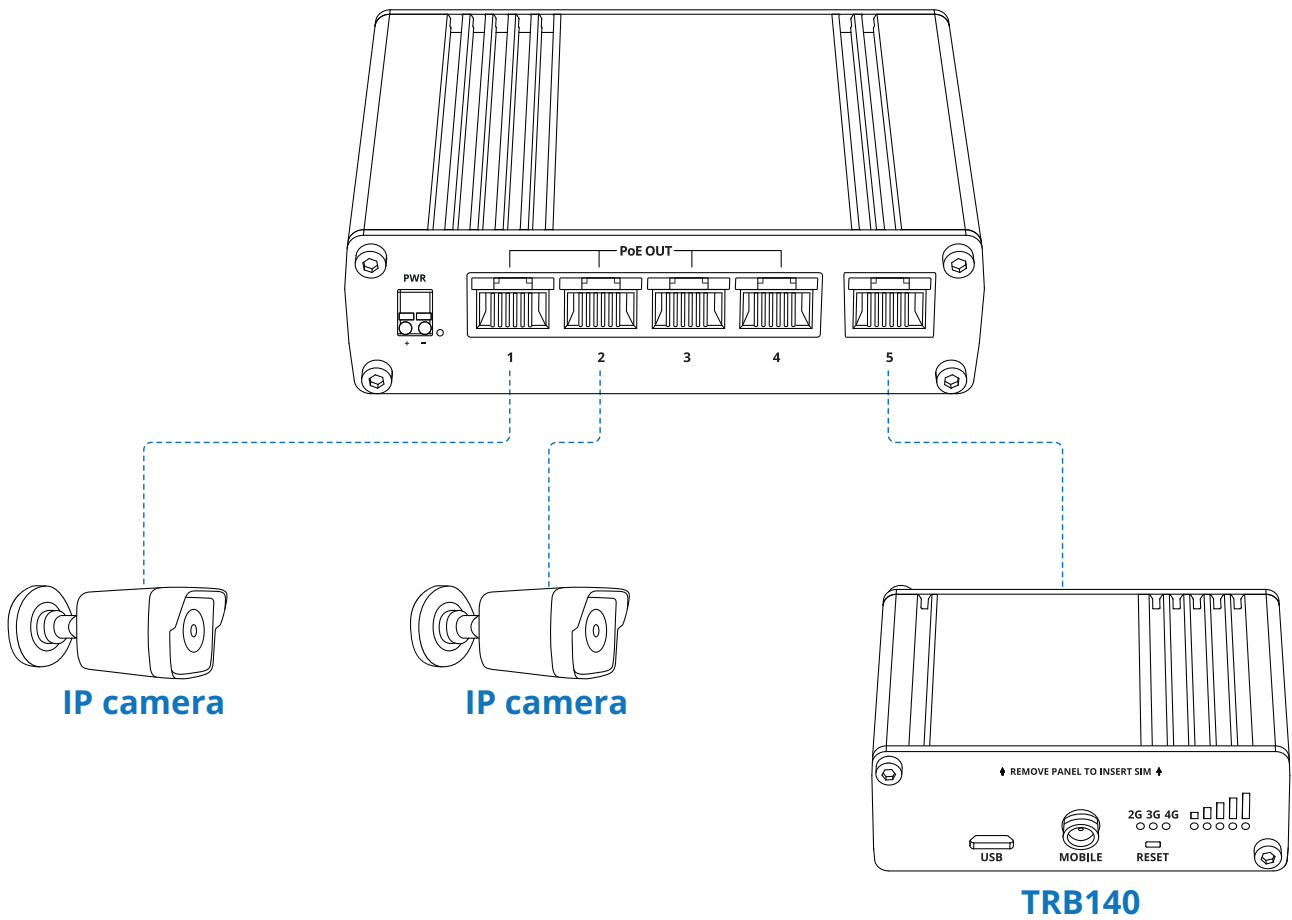
Regulatory	CE, REACH, RoHS, WEEE TSW101 CE TSW101 UKCA TSW101 FCC TSW101 IC TSW101 CB TSW101 RCM E-Mark
------------	---

SAFETY

Standards	EN IEC 62368-1:2020+A11:2020
-----------	------------------------------

HARDWARE INSTALLATION

1. Connect your primary internet router/modem to the fifth Ethernet port of TSW101.
2. Connect the end devices you want to power over Ethernet (e.g., an IP camera) through Ethernet ports 1 to 4.
3. Connect the wires to the 2-PIN industrial DC power socket on TSW101.



TECHNICAL INFORMATION

Technical specifications	
Input voltage range	9 – 30 VDC
Max power consumption no PoE devices connected	<2.2 W
Max PoE power budget at PSE*	60 W
Max Ethernet cable length	100 m

* Depends on connected power source.(30 W (max.) @ 12 VDC for total PD consumption; 30 W (max.) for each PoE port ; 60 W (max.) @ 24 VDC for total PD consumption; 30 W (max.) for each PoE port).

WHAT'S IN THE BOX?

STANDARD PACKAGE CONTAINS

- TSW101
- QSG (Quick Start Guide)
- Packaging box



STANDARD ORDER CODES

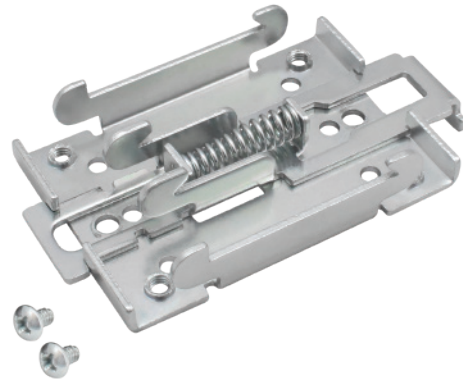
PRODUCT CODE	HS CODE	HTS CODE	PACKAGE CONTAINS
TSW101 000000	851762	8517.62.00	Standard package

For more information on all available packaging options – please contact us directly.

MOUNTING OPTIONS

DIN RAIL KIT

Parameter	Value
Mounting standard	35mm DIN Rail
Material	Low carbon steel
Weight	57g
Screws included	Philips Pan Head screw #6-32x3/16, 2pcs
Dimensions	82 mm x 46 mm x 20 mm
RoHS Compliant	V



DIN RAIL KIT

- DIN Rail adapter
- Philips Pan Head screw #6-32x3/16, 2pcs for RUT2xx/RUT9xx

ORDER CODE	PRODUCT CODE	HS CODE	HTS CODE
088-00267	PR5MEC00	73269098	7326.90.98

For more information on all available packaging options – please contact us directly.

COMPACT DIN RAIL KIT

Parameter	Value
Mounting standard	35mm DIN Rail
Material	ABS + PC plastic
Weight	6.5 g
Screws included	Philips Pan Head screw #6-32x3/16, 2pcs
Dimensions	70 mm x 25 mm x 14,5 mm
RoHS Compliant	V



DIN RAIL KIT

- Compact plastic DIN Rail adapter (70x25x14,5mm)
- Philips Pan Head screw #6-32x3/16, 2pcs

ORDER CODE	PRODUCT CODE	HS CODE	HTS CODE
088-00270	PR5MEC11	73269098	7326.90.98

For more information on all available packaging options – please contact us directly.

SURFACE MOUNTING KIT

Parameter	Value
Mounting standard	Flat surface mount
Material	ABS + PC plastic
Weight	2x5 g
Screws included	Philips Pan Head screw #6-32x3/16, 2pcs
Dimensions	25 mm x 48 mm x 7.5 mm
RoHS Compliant	V



DIN RAIL KIT

- Surface mounting kit
- Philips Pan Head screw #6-32x3/16, 2pcs

ORDER CODE	PRODUCT CODE	HS CODE	HTS CODE
088-00281	PR5MEC12	73269098	7326.90.98

For more information on all available packaging options – please contact us directly.

TSW101 SPATIAL MEASUREMENTS & WEIGHT

MAIN MEASUREMENTS

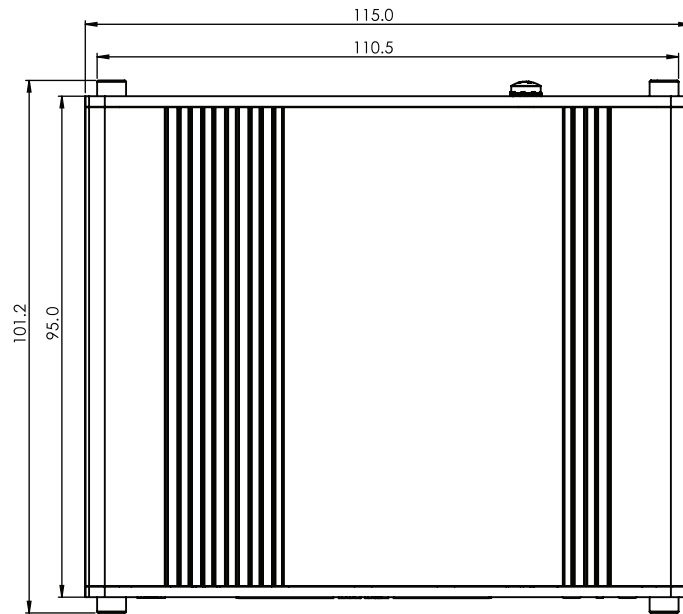
W x H x D dimensions for TSW101:

Device housing: 115 x 32 x 95

Box: 173 x 71 x 148

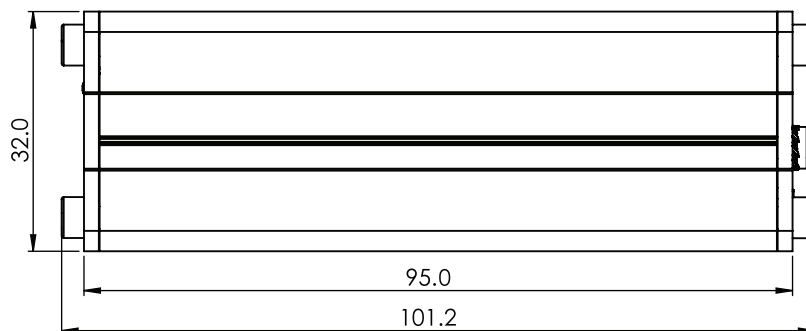
TOP VIEW

The figure below depicts the measurements of TSW101 and its components as seen from the top:



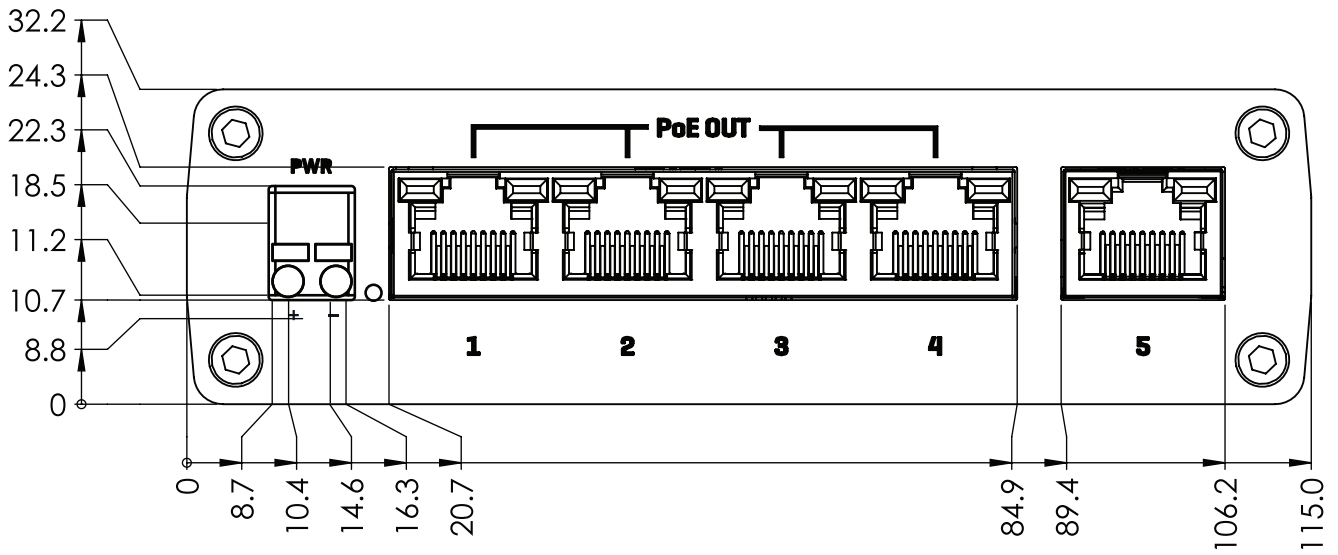
RIGHT VIEW

The figure below depicts the measurements of TSW101 and its components as seen from the right side:



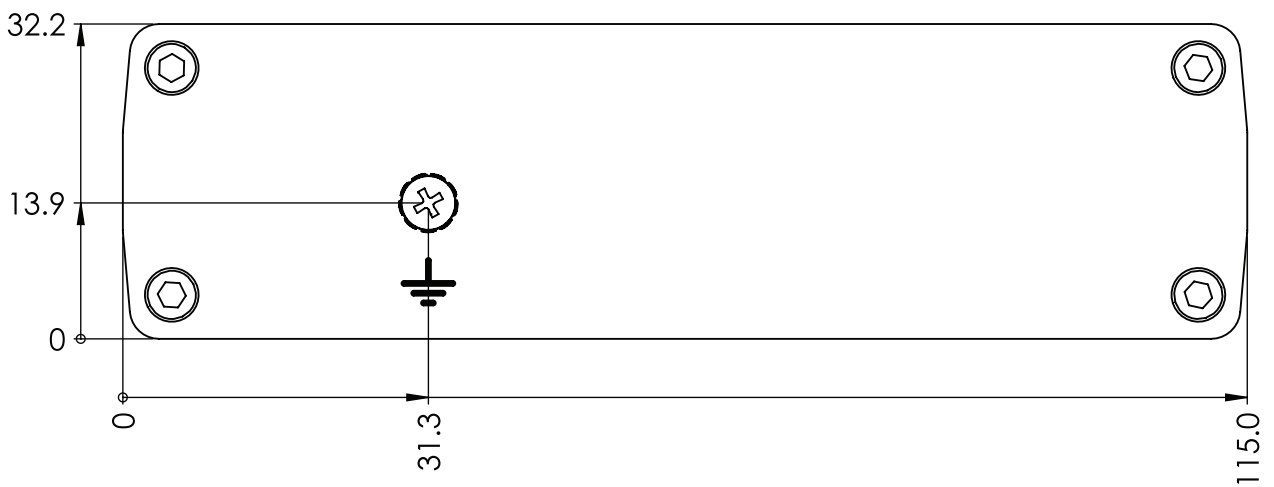
FRONT VIEW

The figure below depicts the measurements of TSW101 and its components as seen from the front panel side:



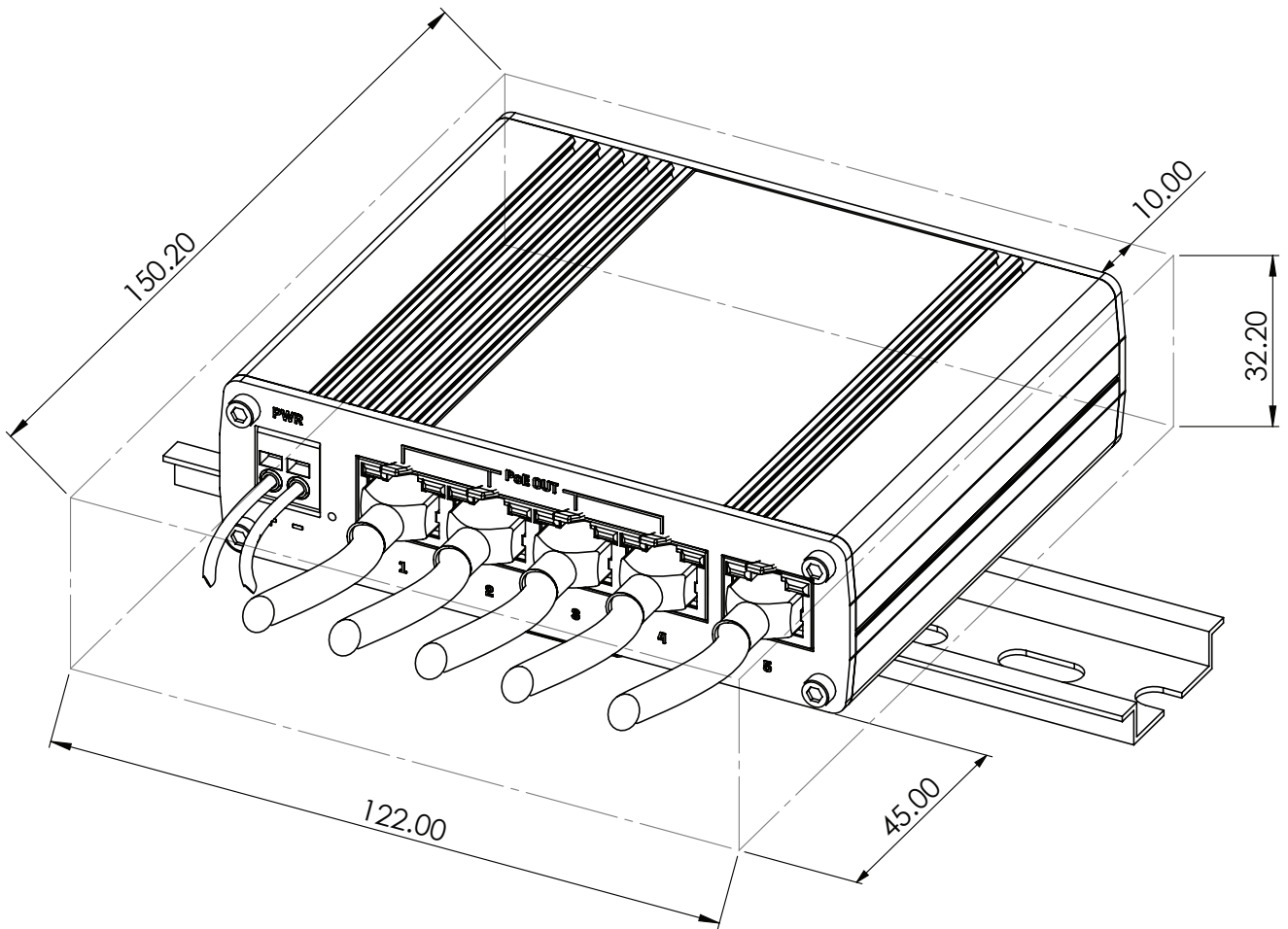
REAR VIEW

The figure below depicts the measurements of TSW101 and its components as seen from the back panel side:



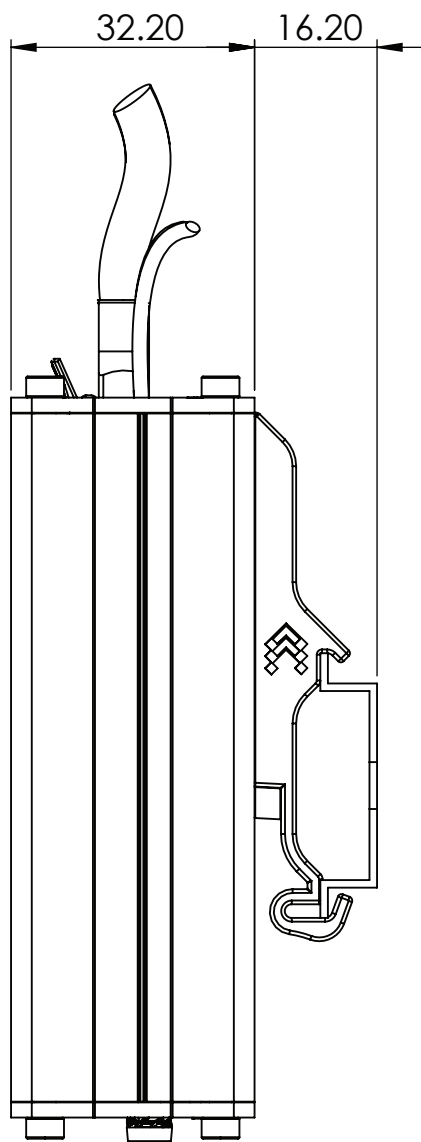
MOUNTING SPACE REQUIREMENTS

The figure below depicts an approximation of the device's dimensions when cables and antennas are attached:



DIN RAIL

The scheme below depicts protrusion measurements of an attached DIN Rail:



IP SYSTEMES
 8 rue du Colonel Chambonnet – BP67
 69672 BRON Cedex
 Tel. : 04 72 14 18 00
 Fax : 04 72 14 18 01
www.ip-systemes.com – info@ip-systemes.fr