



## PDS(M)-752(D) PPDS(M)-752(D)-MTCP

Programmable (4x RS-232 and 1x RS-485)  
Serial-to-Ethernet Device Server

### Features

- Incorporate Serial Devices in an Ethernet network
- "Virtual COM" Extend COM Ports
- Virtual COM supports 32-bit and 64-bit Windows 7 SP1/10/2012/2016
- Supports Modbus TCP to RTU/ASCII Gateway
- Powerful Programmable Device Server
- Watchdog Timer suitable for use in harsh environments
- Serial Port +/- 4 kV ESD Protection Circuit
- Self-Tuner ASIC Controller on the RS-485 Port
- Built-in High Performance MiniOS7 from ICP DAS
- Palm-Sized with multiple Serial Ports



### Introduction

The PDS-700 series is a family of Programmable Device Servers, also known as "Serial-to-Ethernet gateway", that are designed for linking RS-232/422/485 devices to an Ethernet network. The user-friendly VxComm Driver/Utility allows users to easily turn the built-in COM ports of the PDS-700 series into standard COM ports on a PC. By virtue of its protocol independence, a small-core OS and high flexibility, the PDS-700 series is able to meet the demands of every network-enabled application.

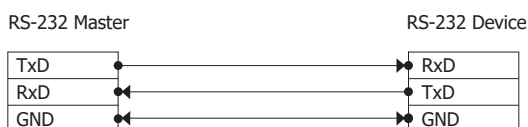
The PDS-700 series includes a powerful and reliable Xserver programming structure that allows you to design your robust Ethernet applications in one day. The built-in, high-performance MiniOS7 boots the PDS-700 up in just one second and gives you fastest responses. It also works as a Modbus TCP to RTU/ASCII gateway that supports most SCADA/HMI communications based on the Modbus/TCP protocol.

The PPDS-700-MTCP series features true IEEE 802.3af-compliant (classification, Class 1) Power over Ethernet (PoE) using a standard category 5 Ethernet cable to receive power from a PoE switch like the NS-205PSE. The PDSM-700 is the PDS-700 with Metal Case (RoHS) and the PPDSM-700-MTCP is the PPDS-700-MTCP with Metal Case (RoHS). Metal Case version includes stronger protection than PDS-700 and PPDS-700-MTCP.

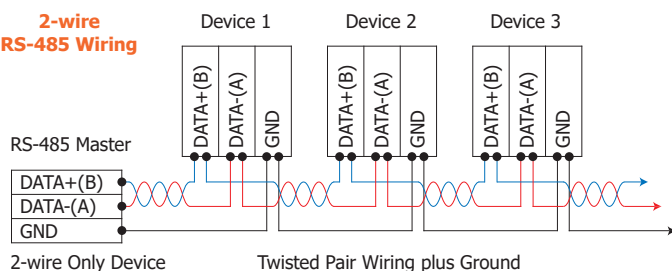
The PDS(M)-752(D) and PPDS(M)-752(D)-MTCP is equipped with 4 RS-232 ports and 1 RS-485 port. The removable on-board terminal block connector is designed for easy and robust wiring in industrial situations.

### Wiring

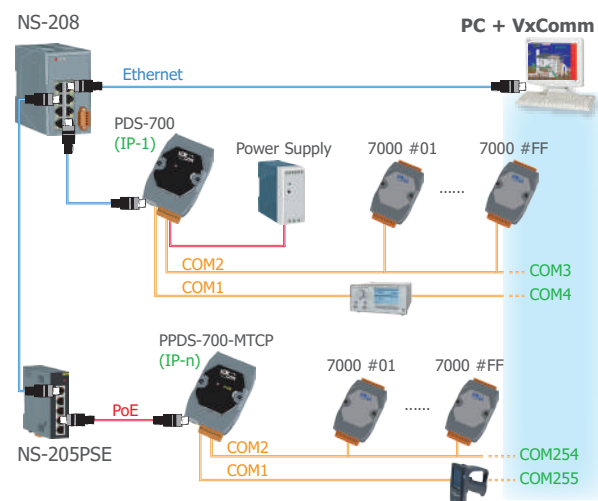
#### 3-wire RS-232 Wiring



#### 2-wire RS-485 Wiring



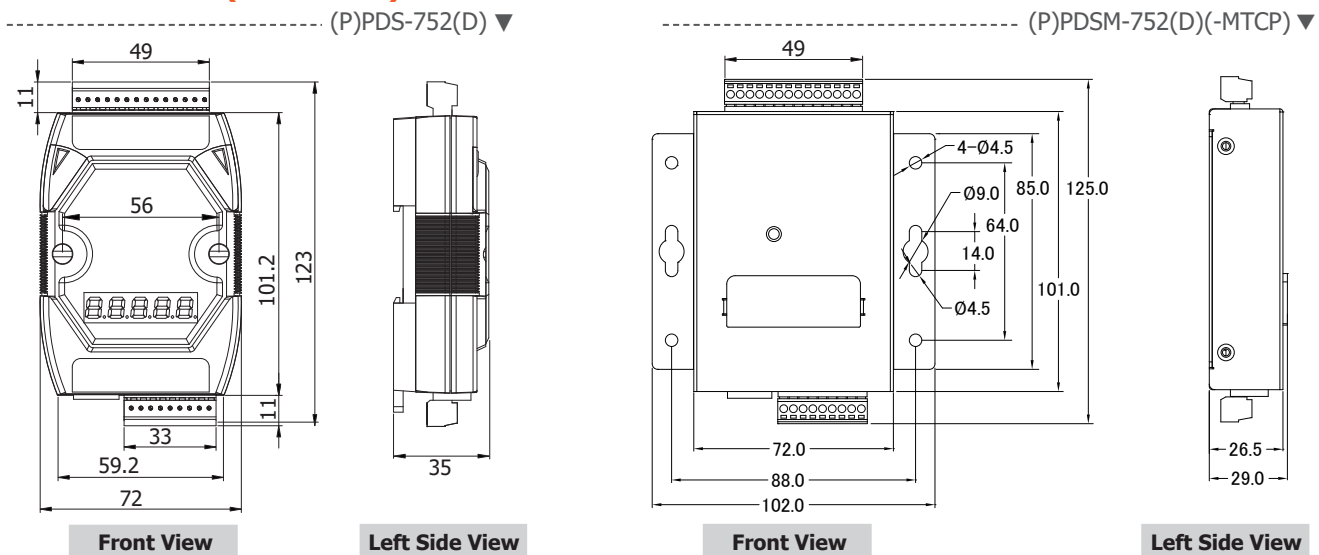
### Applications



## System Specifications

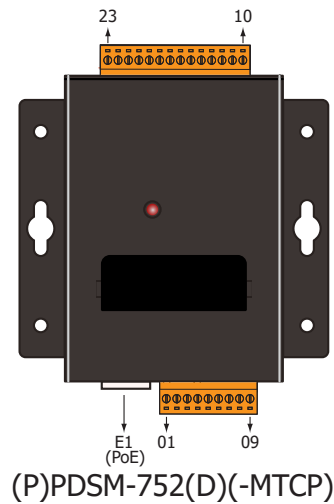
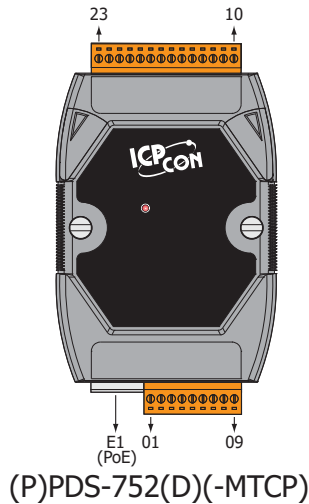
Models	PDS-752 PDSM-752	PDS-752D PDSM-752D	PPDS-752-MTCP PPDSM-752-MTCP	PPDS-752D-MTCP PPDSM-752D-MTCP
<b>CPU</b>				
CPU	80186, 80 MHz or compatible			
SRAM	512 KB			
Flash Memory	Flash ROM: 512 KB; Erase unit is one sector (64 KB); 100,000 erase/write cycles			
EEPROM	16 KB; Data retention: 40 years; 1,000,000 erase/write cycles			
Built-in Watchdog Timer	Yes			
<b>Communication Interface</b>				
Non-isolated	COM1	RS-232 (TxD, RxD, RTS, CTS, GND)		
	COM2	RS-485 (D2+, D2-, GND)		
	COM3	RS-232 (TxD, RxD, RTS, CTS, GND)		
	COM4	RS-232 (TxD, RxD, RTS, CTS, GND)		
	COM5	RS-232 (TxD, RxD, RTS, CTS, GND)		
Ethernet	10/100 Base-TX, RJ-45 port (Auto-negotiating, auto MDI/MDI-X, LED indicator)			
PoE	-	IEEE 802.3af		
<b>COM Port Formats</b>				
Data Bit	7, 8: for COM1 and COM2 · 5, 6, 7, 8: for COM3 and COM5			
Parity	None, Even, Odd, Mark, Space None parity is required when using 8 data bits and 2 stop bits on COM1/COM2.			
Stop Bit	1, 2: for COM1 ~ COM5			
Baud Rate	115200 bps max.			
<b>LED Indicators</b>				
5-digit 7 Segment	-	Yes	-	Yes
System	Red			
PoE	-	Green		
<b>Power</b>				
Protection	Power Reverse Polarity Protection			
Required Supply Voltage	+10 Vdc ~ +30 Vdc		PoE or +12 Vdc ~ +48 Vdc	
Power Consumption	2.0 W	2.7 W	2.2 W	2.9 W
<b>Mechanical</b>				
Flammability	Fire Retardant Materials (UL94-V0 Level)			
Dimensions (W x L x H)	(P)PDS: 72 mm x 35 mm x 123 mm · (P)PDSM: 102 mm x 29 mm x 125 mm			
Installation	DIN-Rail or Wall mounting			
Casing	Metal for PDSM/PPDSM · Plastic for other			
<b>Environment</b>				
Operating Temperature	-25 °C ~ +75 °C			
Storage Temperature	-40 °C ~ +80 °C			
Humidity	5 ~ 90% RH, non-condensing			

## Dimensions (Units: mm)



## Pin Assignments

Terminal No.	Pin Assignment
E1	Link/Act 10/100M
COM1	01 CTS1 02 RTS1 03 RxD1 04 TxD1 05 INIT*
COM2	06 D2+ 07 D2- 08 (R)+Vs 09 (B)GND



Terminal No.	Pin Assignment
COM5	23 RxD5
	22 TxD5
	21 RTS5
	20 CTS5
	19 GND
COM4	18 RxD4
	17 TxD4
	16 RTS4
	15 CTS4
	14 GND
COM3	13 RxD3
	12 TxD3
	11 RTS3
10	CTS3

## Ordering Information

PDS-752 CR	Programmable (4x RS-232 and 1x RS-485) Serial-to-Ethernet Device Server (RoHS) Includes CA-0910 Cable
PDS-752D CR	Programmable (4x RS-232 and 1x RS-485) Serial-to-Ethernet Device Server and LED Display (RoHS) Includes CA-0910 Cable
PPDS-752-MTCP CR	Programmable (4x RS-232 and 1x RS-485) Serial-to-Ethernet Device Server, PoE and Modbus Gateway (RoHS) Includes CA-0910 Cable
PPDS-752D-MTCP CR	Programmable (4x RS-232 and 1x RS-485) Serial-to-Ethernet Device Server, PoE, Modbus Gateway and LED Display (RoHS) Includes CA-0910 Cable
PDSM-752 CR	Programmable (4x RS-232 and 1x RS-485) Serial-to-Ethernet Device Server (Metal Case) (RoHS) Includes CA-0910 Cable
PDSM-752D CR	Programmable (4x RS-232 and 1x RS-485) Serial-to-Ethernet Device Server and LED Display (Metal Case) (RoHS) Includes CA-0910 Cable
PPDSM-752-MTCP CR	Programmable (4x RS-232 and 1x RS-485) Serial-to-Ethernet Device Server, PoE and Modbus Gateway (Metal Case) (RoHS) Includes CA-0910 Cable
PPDSM-752D-MTCP CR	Programmable (4x RS-232 and 1x RS-485) Serial-to-Ethernet Device Server, PoE, Modbus Gateway and LED Display (Metal Case) (RoHS) Includes CA-0910 Cable

## Accessories

CA-0903 CR	DB9 Female to 5-wire Cable [RS-232], 30cm (RoHS)
NS-205 CR	Unmanaged 5-port Industrial Ethernet Switch (RoHS)
NS-205PSE CR	Unmanaged 5-port 10/100 Mbps PoE (PSE) Ethernet Switch (RoHS)