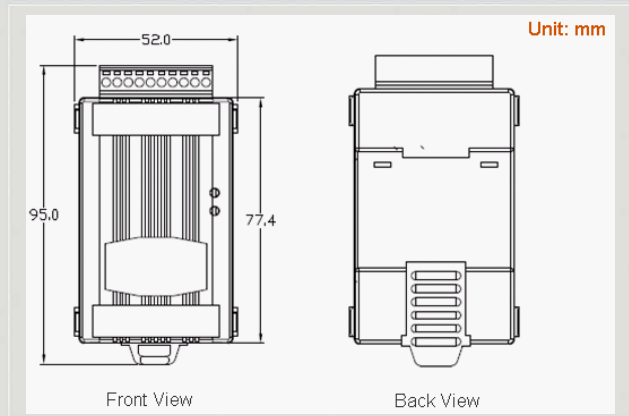


Modbus Slave to EtherNet/IP Scanner Gateway



GW-7473



Dimensions

The GW-7473 (Modbus TCP/RTU Slave to EtherNet/IP Scanner Gateway) is helpful for data-exchanging between Modbus Master and EtherNet/IP adapter. It reads the register data from the EtherNet/IP adapter and publishes these data to the input register data of the Modbus TCP client as well as Modbus RTU Master. The output data transmitted by the Modbus TCP/RTU Master are updated to the register data of EtherNet/IP adapter. In order to save the installation space, the GW-7473 is also offered in an amazing tiny form-factor that makes it easy to install in anywhere.

Features

- 10/100 Base-TX Ethernet, RJ-45 x1
- Redundant power inputs: PoE (IEEE 802.3af, Class 1) and DC jack
- Automatically RS-485 direction control
- Tiny form-factor and low power consumption

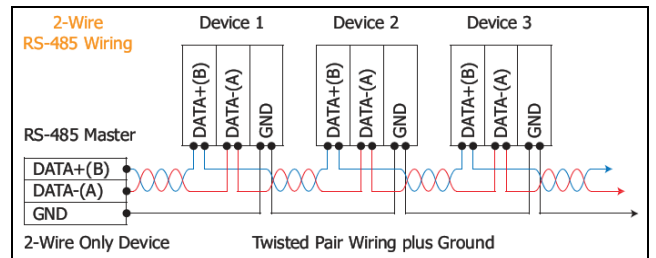
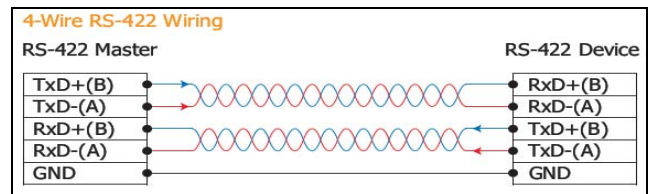
EtherNet/IP Features

- Supported Objects according to CIP Standard
 - Assembly Object
 - Connection Manager Object
 - Ethernet Link Object
 - Message Router Object
 - TCP/IP Interface Object
- Ethernet Protocol: EtherNet/IP Scanner
 - Class 1 (connected) I/O Server and Client
 - Maximum support 5 EtherNet/IP adapter connections
 - EtherNet/IP I/O command data size: 200 bytes

Modbus Features

- Modbus Protocol: Modbus TCP Server/RTU Slave protocols
- Supported Modbus Function Code 01, 02, 03, 04, 15, and 16
- Maximum support 5 Modbus TCP clients

Wire Connection



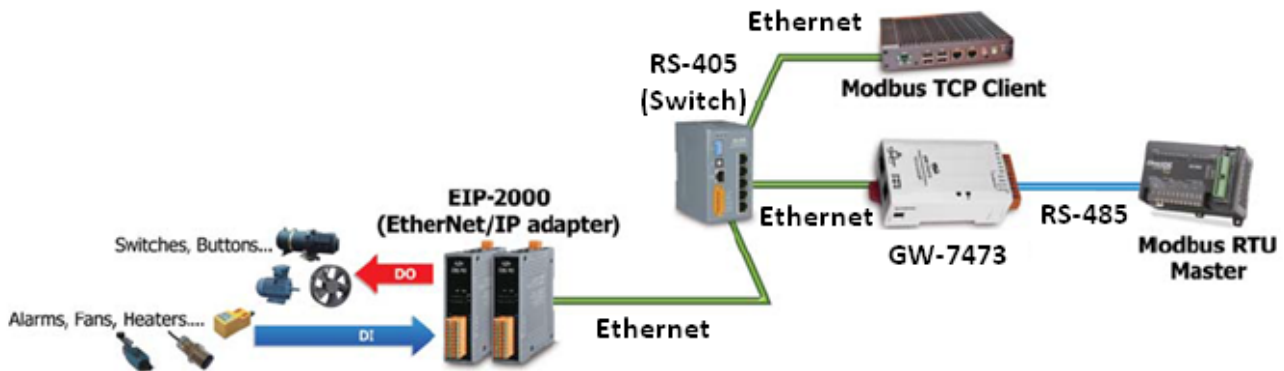


IP SYSTEMES
 8 rue du Colonel Chambonnet – BP67
 69672 BRON Cedex
 Tel. : 04 72 14 18 00
 Fax : 04 72 14 18 01
www.ip-systemes.com – info@ip-systemes.fr

Hardware Specifications

Hardware	
CPU	32-bit MCU
UART Interface	
COM 1	2-wire RS-485 4-wire RS-422
COM 1 Connector	10-Pin Removable Terminal Block x 1
Protocol	Modbus RTU Slave
Ethernet Interface	
Ethernet	10/100 Base-TX, 8-pin RJ-45 x 1, (Auto-negotiating, Auto-MDI/MDIX, LED indicator) PoE (IEEE 802.3af, Class 1)
Protocol	EtherNet/IP Scanner and Modbus TCP Server
Power	
Power supply	PoE: IEEE 802.3af, Class 1 DC jack: +12 ~ 48 V _{DC}
Power Consumption	0.05 A @ 24 V _{DC}
Mechanism	
Dimensions	52mm x 95mm x 27mm (W x L x H)
Mounting	DIN-Rail
Environment	
Operating Temperature	-25 ~ 75 °C
Storage Temperature	-30 ~ 80 °C
Humidity	10 ~ 90% RH, non-condensing

Application



Ordering Information

GW-7473 CR	Modbus Slave to EtherNet/IP Scanner gateway with PoE and 1 RS-422/485 (RoHS)
-------------------	--