

M700DM8-4E

7" ARM A53 Rugged Tablet PC



KEY FEATURES

- ARM A53 Octa Core Processor
- 7" 1280 x 720 TFT Panel with direct optical bonding
- Supports Android 7.0 OS
- Hot-swappable battery design
- IP65 waterproof and dustproof
- Rated for extreme temperature use
- Optional integrated 2D barcode reader

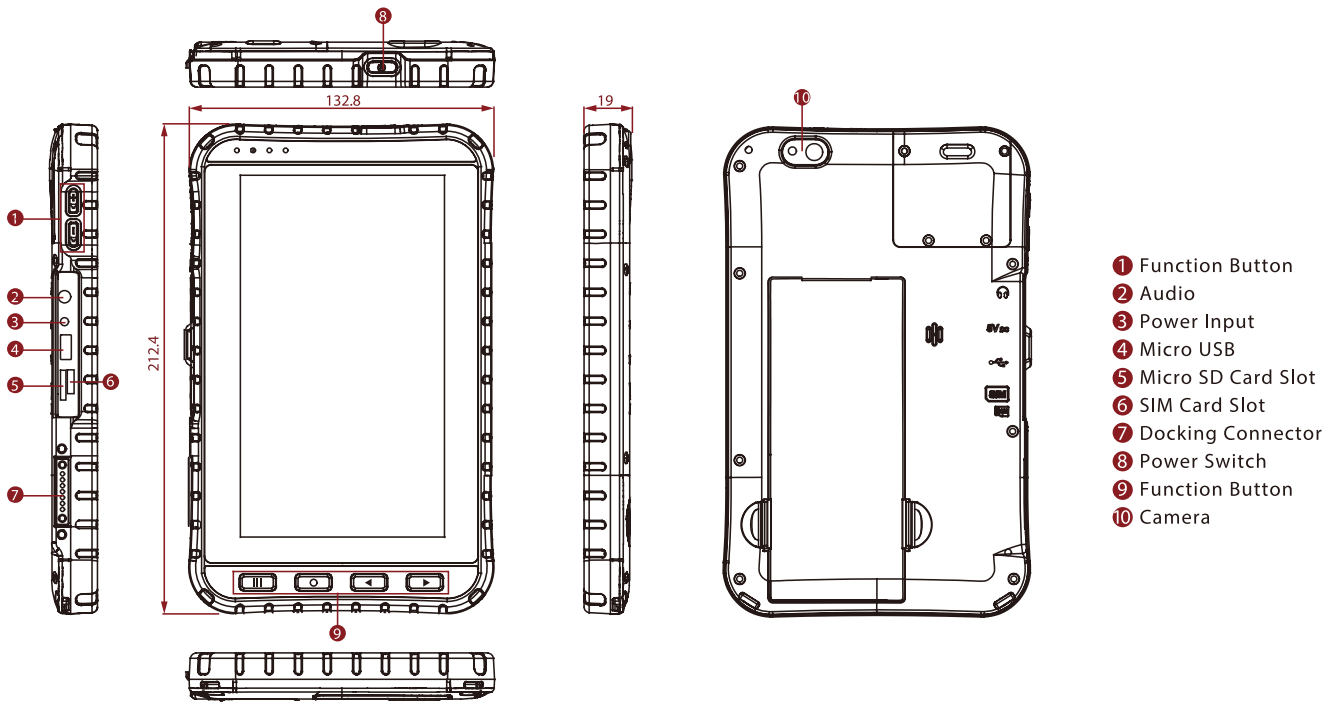


SPECIFICATIONS

Display	
Resolution	1280x720
Contrast Ratio	800:1
View Angles	80,80,80,80
Touch Mode	Support Hand / Gloves and Rain Mode
Size	7 inches
Panel Brightness	650 nits
Type	Projected Capacitive Multi Touch
Bonding	Optical Bonding for Sunlight Viewability
System Specification	
Processor	ARM A53 (Octa-Core 1.3 GHz)
Storage	16GB
WLAN	Support
WWAN	4G/LTE
RFID	Default NFC (Read / Write, Peer to Peer mode)
Memory	2GB
Operating System	Android 7.0
BT	Support
GNSS	GPS/AGPS
Sensors	Ambient Light Sensor, E-Compass, Gyro, Acceleration Sensors
Camera	
Front Camera	2MP Camera
Rear Camera	8MP Camera with LED Auxiliary Light (Auto Focus)
Mechanical	
Dimension	212.4 x 132.8 x 19 mm
Weight	550g
IO Ports	
USB Port	1 x Micro USB
SIM Card Slot	1 x SIM Card Slot
SD Card Slot	1 x Micro SD Card Slot
Audio	1 x Audio Combo connector (Mic in or Line Out) 2 x Built-in Mic 1 x Speaker 1 x Receiver
Indicator	1 x LED indicator
Docking Connector	1 x Docking Connector
Environment	
Operating Humidity	5% to 95% RH, Non-Condensing
Storage Temperature	-30°C to 70°C
Vibration	MIL-STD-810G Method 514.6 Procedure I
Drop	MIL-STD-810G Method 516.6, 5 ft
Operating Temperature	-10°C to 50°C (Battery mode)
Shock	MIL-STD-810G Method 516.6 Procedure I
IP rating	IP65 Certified, Waterproof and Dustproof
Certification	

Certification	CE, FCC		
Control			
Button	1 x Volume +/- , 1 x Power Button, 1 x Home Button, 1 x Menu Button, 1 x Return Button, 1 x Trigger Button		
Power			
Battery	3.7V 5300mAh Hotswappable Function (Optional)	Battery Operating Time	12Hr
Power Rating	5V	Adapter	5V 3A Adapter
Security Function			
SOTI MobiControl	SOTI MobiControl Compliance		
Accessory			
Accessory	Universal Adapter Battery Micro USB Cable	Optional Accessory	Battery Charging Dock Vehicle Dock (Charging + Connectors) Vehicle Dock (Charging Only) Desk Dock Hand Strap Micro SD Card Capacitive Touch Stylus Vehicle Adapter
Barcode Scanner			
Barcode Scanner	1D/2D Barcode Reader (Optional)		

DIMENSIONS UNIT:MM



NOTE

1. Total usable memory will be less dependent upon actual system configuration.
2. SOTI is available upon request
3. Length measurements do not include protrusions.
4. The drop test with a high-capacity battery must come with a hand strap
5. Measured at dimming LCD brightness. Varies depending on the usage conditions, or when an external device is attached.
6. Accessories and Integrated Options may vary depending on your configuration.
7. This is a simplified drawing and some components are not marked in detail.
8. The product shown in this datasheet is a standard model. For diagrams that contain customized or optional I/O, please contact the Winmate Sales Team for more information.



IP SYSTEMES
8 rue du Colonel Chambonnet – BP67
69672 BRON Cedex
Tel. : 04 72 14 18 00
Fax : 04 72 14 18 01
www.ip-systemes.com – info@ip-systemes.fr