

M116P

11.6" Intel® Pentium® N4200 Rugged Tablet



KEY FEATURES

- Intel® Pentium® N4200 1.1GHz (Turbo up to 2.5 GHz)
- 11.6" 1920 x 1080 LED panel with direct optical bonding
- IP65 water and dust proof with MIL-STD-810G rugged housing
- Optional Integrated 1D/2D Barcode Reader and HF RFID for data collection
- Removable battery with hot-swap function for all day productivity
- 802.11ac WiFi, BT 5.0, 4G LTE, GPS Wireless Connectivity

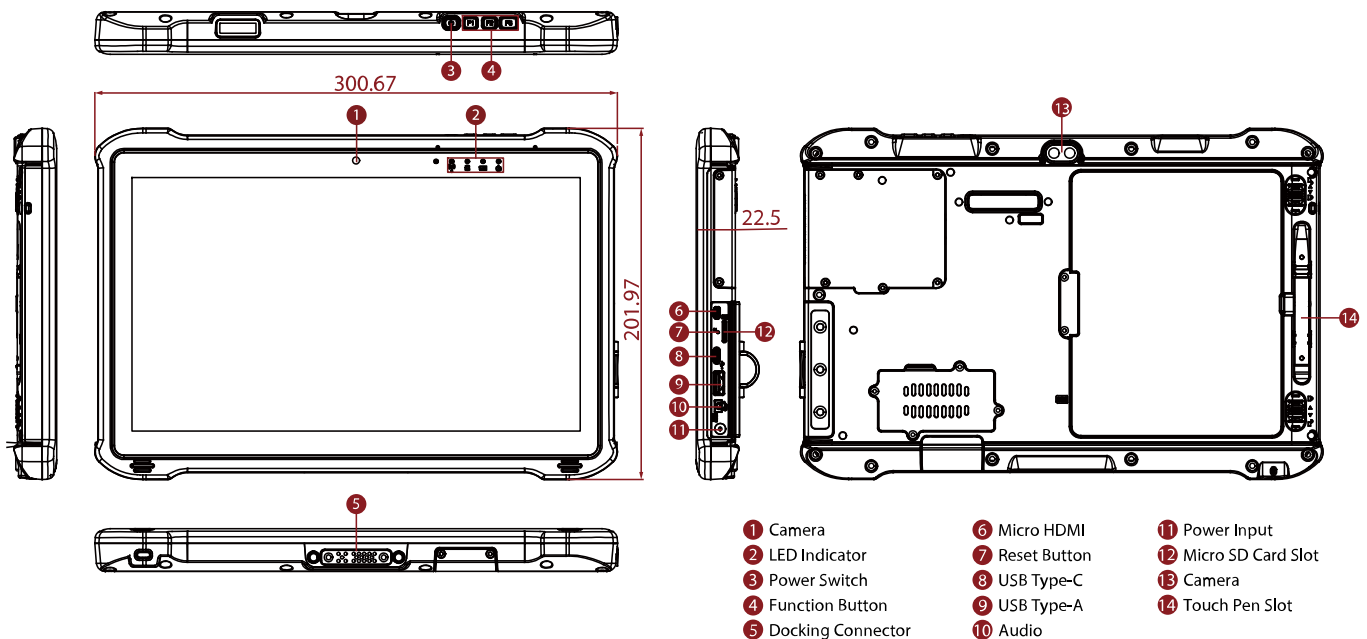


SPECIFICATIONS

Display	
Bonding	Optical Bonding for Sunlight Viewability
Size	11.6 inches
Panel Brightness	850 nits
Type	Projected Capacitive Multi Touch
Touch Mode	Hand/Rain, Glove, Stylus
Resolution	1920x1080
Contrast Ratio	1000:1
View Angles	85,85,85,85
Viewability	Anti-Glare touch treatment
System Specification	
Processor	Intel® Pentium® N4200 1.1GHz (Turbo up to 2.5 GHz)
Storage	128 GB SSD Additional storage available with micro SDXC card slot 256 GB SSD (Optional) 512 GB SSD (Optional)
Security	Trusted Platform Module (TPM) 2.0 Kensington Lock
Wi-fi	Support
WWAN	4G LTE (Optional)
RFID	HF RFID reader 13.56 MHz (Optional)
Smart Card Reader	Smart Card Reader Comply with ISO7816-1.2.3 T=1 and T=Ø protocol (Optional)
Memory	4GB LPDDR4 8GB LPDDR4 (Optional)
Ethernet controller	1 x RJ45-10/100/1000 GigaLAN port (Optional)
Operating System	Windows 10 IoT Enterprise (64 bit)
BT	Support
GNSS	GPS, GLONASS
Sensors	Light sensor/ g-sensor / Gyro
Camera	
Front Camera	2MP front camera
Rear Camera	8MP rear camera with autofocus and LED light
Mechanical	
Dimension	300.67 x 201.97 x 22.5 mm
Weight	1.4 kg
Cooling System	Fanless design
IO Ports	
USB Port	1 x USB 3.0 (Type A), 1 x USB 3.0 (Type C)
SD Card Slot	1 x Micro SDXC slot
SIM Card Slot	1 x Micro SIM card slot
Video	1 x Micro HDMI (Optional)
Audio	1 x Audio combo 3.5mm audio combo jack Built-in dual digital mic with noise cancellation 2 x 1 watt front-facing speakers
LAN	1 x RJ45-10/100/1000 GigaLAN port (Optional)

Indicator	4x LED Indicator for Power, Battery, HDD, RF status	mini PCIe	1 x Mini PCIe for WWAN Module
Docking Connector	1 x 19-pin docking connector		
Environment			
Operating Humidity	10% to 90% RH, non-condensing	Operating Temperature	-20°C to 60°C (AC mode), -10°C to 50°C (Battery mode)
Storage Temperature	-30°C to 70°C	Shock	MIL-STD-810G Method 516.6 Procedure I
Vibration	MIL-STD-810G Method 514.6 Procedure I	IP rating	IP65 certified, dustproof and waterproof
Drop	MIL-STD-810G Method 516.6, 4 ft		
Certification			
Certification	CE, FCC		
Security Function			
SOTI MobiControl	SOTI MobiControl Compliance	Kensington Lock	Kensington Lock Support
Control			
Button	1 x Power, 3 x function keys		
Power			
Battery	Hot-swappable 7.7V typ. 5900 mAh Li-Polymer Battery (2S1P) Optional 7.4V typ. 10280 mAh Li-Polymer Battery (2S2P)	Battery Operating Time	Standard Battery: 8 hours
Power Rating	19V DC	Adapter	100-240V, 50-60Hz (19V DC)
Accessory			
Accessory	Adapter and Power Cord Capacitive Stylus Standard Battery	Optional Accessory	Desk Dock (Optional) Vehicle Dock (Optional) Vehicle Cradle (Optional) Vehicle Charger (Optional) Battery Charger (Optional) High Capacity Battery (Optional) Hand Strap (Optional) VESA Mount Kit (Optional) Shoulder Strap (Optional) Carry Bag (Optional)
Barcode Scanner			
Barcode Scanner	1D/2D barcode reader (Optional)		

DIMENSIONS UNIT:MM



NOTE

1. Total usable memory will be less dependent upon actual system configuration.
2. The USB Type-C connector follows USB 3.0 standard, which does not support Alternate Mode (ALT) or USB Power Delivery (USB-PD).
3. Add-on modules require the expansion port option to be usable.
4. TPM 2.0 is available upon request.
5. SOT1 is available upon request.
6. Measured at dimming LCD brightness. Varies depending on the usage conditions, or when an external device is attached.
7. Length measurements do not include protrusions. Weight varies with options and active pen.
8. The product shown in this datasheet is a standard model. For diagrams that contain customized or optional I/O, please contact the Winmate Sales Team for more information.
9. This is a simplified drawing and some components are not marked in detail.



IP SYSTEMES

8 rue du Colonel Chambonnet – BP67

69672 BRON Cedex

Tel. : 04 72 14 18 00

Fax : 04 72 14 18 01

www.ip-systemes.com – info@ip-systemes.fr